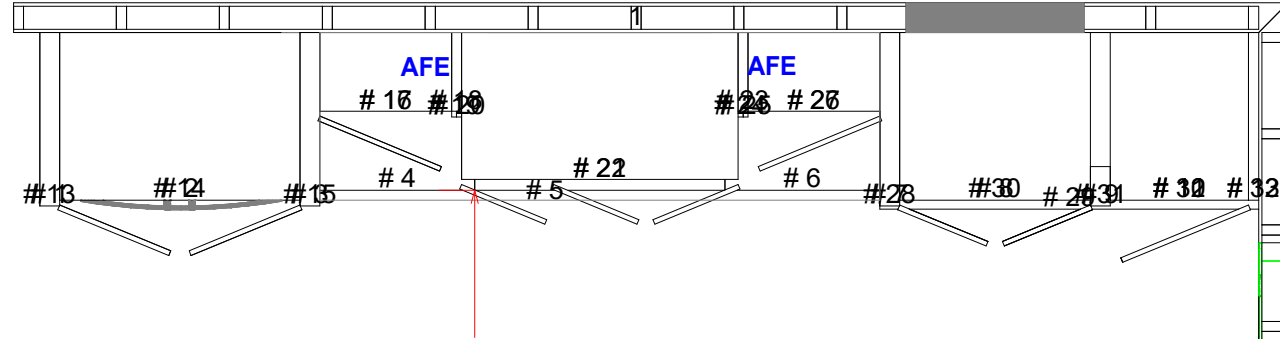
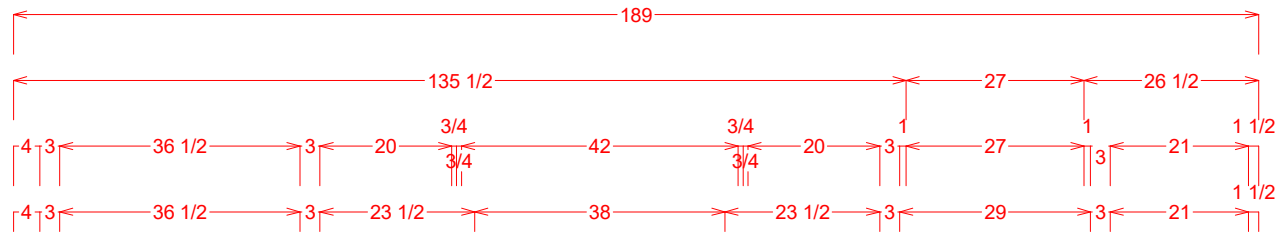


Fricke - 1477 Art Drive
1 Kitchen 3D

Contact: Tess 970-837-6450
02/17/25



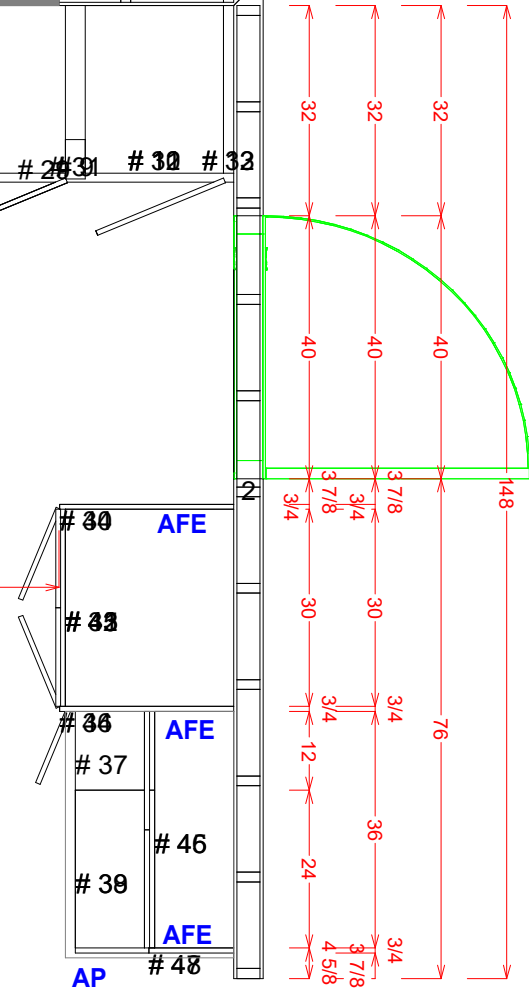
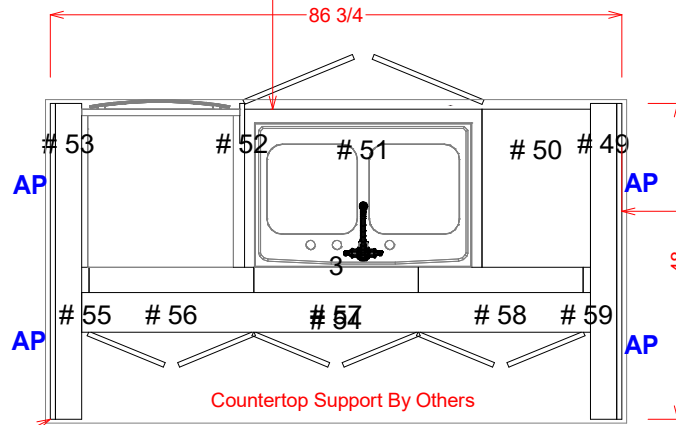
Selections	
1 Kitchen Perimeter/Island	
Exterior:	Hickory Rustic
Exterior Finish:	**Spanish Pecan
Interior:	***Hardrock Melamine/BLK EB
Edge Banding Color:	BLACK
Door Style:	Durango
Drawer Front Style:	Durango 5-pc
Drawer Construction:	*5/8 Dovetail
Drawer Slides:	*Blum Soft-Close
Hardware:	128mm - AM55277-BBR (Tier 2)
Crown Molding:	*Angled Shaker Crown

Selections	
1 Kitchen Hood/Cooktop Lowers	
Exterior:	SELECT ALDER
Exterior Finish:	ONYX
Interior:	***Hardrock Melamine/BLK EB
Edge Banding Color:	BLACK
Door Style:	Durango
Drawer Front Style:	Durango 5-pc
Drawer Construction:	*5/8 Dovetail
Drawer Slides:	*Blum Soft-Close
Hardware:	128mm - AM55277-BBR (Tier 2)
Crown Molding:	*Angled Shaker Crown

MILARC NOTES LEGEND	
[FRAMED TEXT]	= INSTALLER NOTES
[RED TEXT]	= CONTRACTOR/BUILDER NOTES
[GREEN TEXT]	= MILARC ENGINEERING NOTES
[AP]	= APPLIED PANEL LOCATION
[AFE]	= APPLIED FINISHED END PANEL (FLAT)**

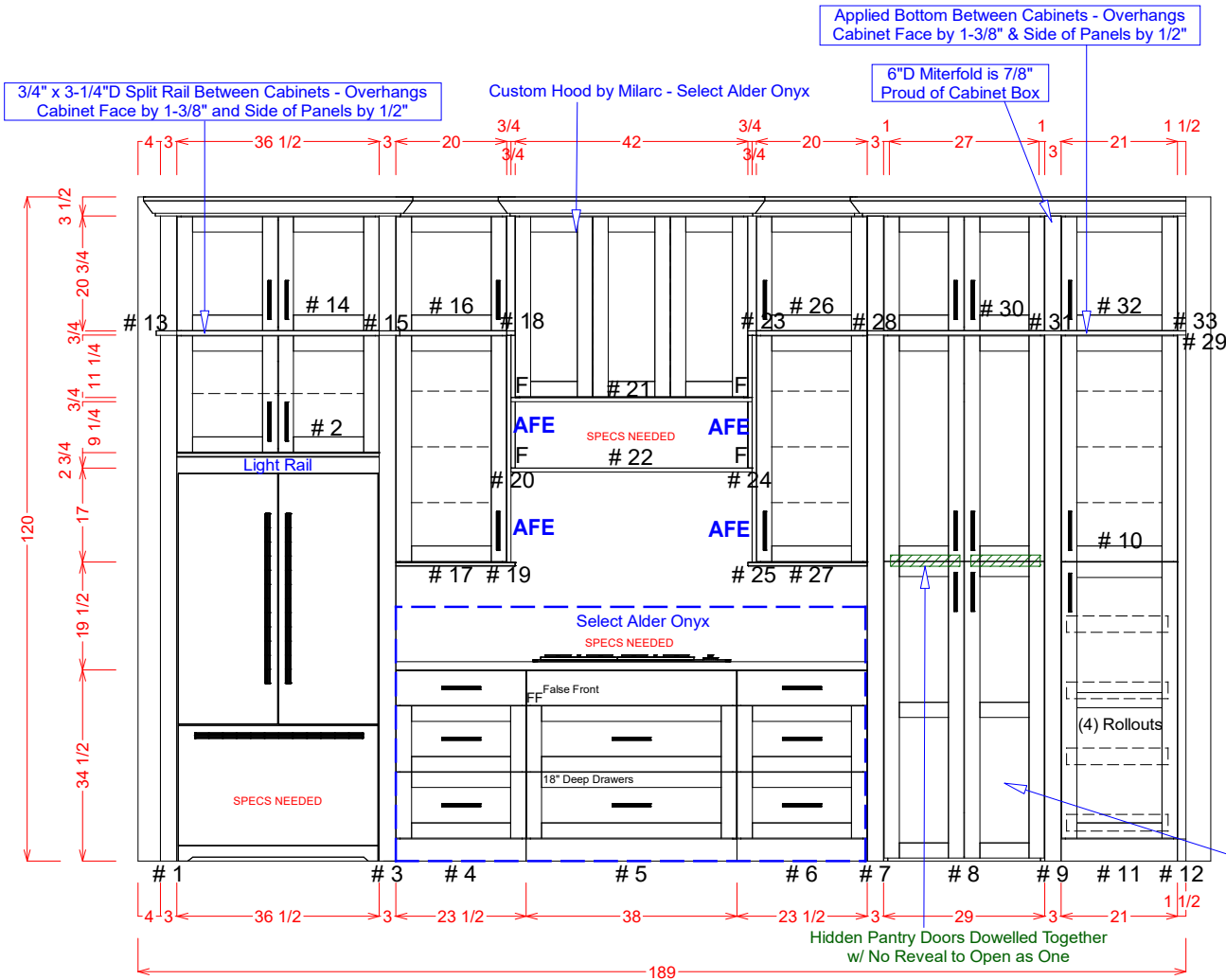
**ALL AFES ARE INSTALLED FLUSH WITH TOP OF CABINET BOX AND 7/8" PROUD OF FACE OF CABINET BOX UNLESS NOT

Milarc- Office Use Only	
DRAWINGS	CHECKED
001 13/25	
001 12/25	



Fricke - 1477 Art Drive
1 Kitchen Plan

Contact: Tess 970-837-6450
02/17/25



Cabinet Report				
No	Name	Width	Height	Depth
0	Square Opening	27	83	4 1/2
0	36" Counter Depth	36	70	27 1/16
0	36" Cooktop	35 1/2	1 1/4	21 1/2
1	Miter Tall F-L_F6-R	3	95	26 3/8
2	Fridge Upper	36 1/2	21 1/4	25 1/2
3	Miter Tall F-R_F6-L	3	95	26 3/8
4	3 Drawer Base	23 1/2	34 1/2	24
5	Cooktop Base 3 Drawer	38	34 1/2	24
6	3 Drawer Base	23 1/2	34 1/2	24
7	Miter Tall F-LR	3	95	26 3/8
8	Hidden Pantry	29	95	4 1/2
9	Miter Tall F-L_F6-R	3	95	26 3/8
10	Pantry Upper ADJ	21	41	25 1/2
11	Pantry Bot RO	21	54	25 1/2
12	Tall Filler Flush	1 1/2	95	25 1/2
13	Miter F-L_F6-R	3	20 3/4	26 3/8
14	Top Sec Upper	36 1/2	20 3/4	25 1/2
15	Miter F-R_F6-L	3	20 3/4	26 3/8
16	Top Sec Upper	20	20 3/4	12
17	Standard Upper	20	41	12
18	Top Sec Filler Flush	1 1/2	20 3/4	12
19	Upper Applied FE Panel	3/4	41	12 7/8
20	Upper Applied FE Panel	3/4	24	12 7/8
21	Thompson Top 48"	42	32 3/4	22 3/8
22	36" Platte Bottom	42	12	22 3/8
23	Top Sec Filler Flush	1 1/2	20 3/4	12
24	Upper Applied FE Panel	3/4	24	12 7/8
25	Upper Applied FE Panel	3/4	41	12 7/8
26	Top Sec Upper	20	20 3/4	12
27	Standard Upper	20	41	12
28	Miter F-L_F6-R	3	20 3/4	26 3/8
29	Applied Bottom F2S_F-L	57 1/2	3/4	26 7/8
30	Top Sec Upper	29	20 3/4	25 1/2
31	Miter F-LR	3	20 3/4	6
32	Top Sec Upper	21	20 3/4	25 1/2
33	Top Sec Filler Flush	1 1/2	20 3/4	25 1/2

Milarc to Confirm Dimensions of Hidden Pantry Opening Onsite (All Finished Dimensions)



610 Technology Circle
Windsor CO 80550

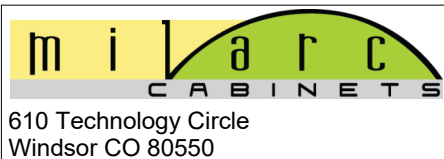
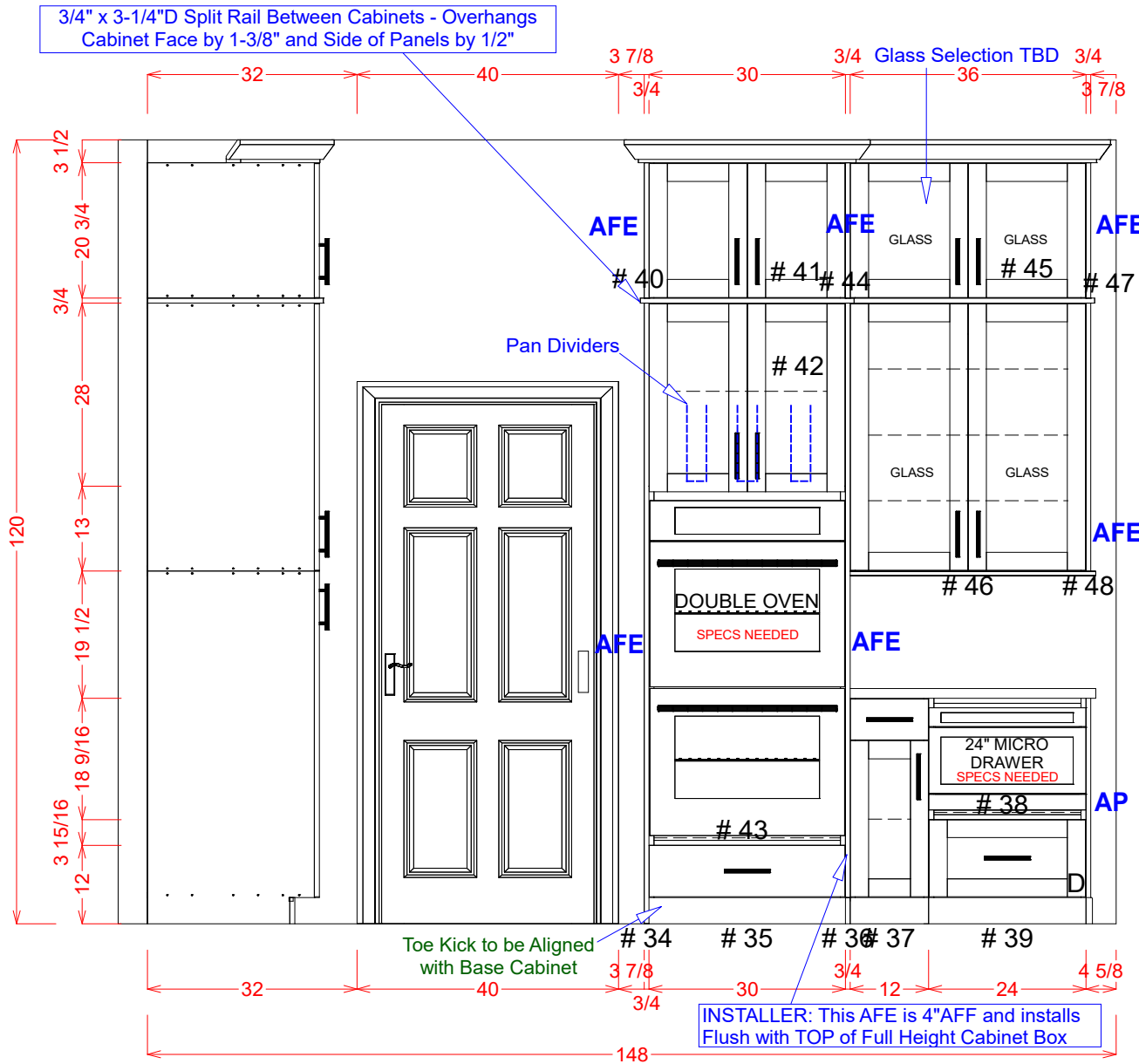
Fricke - 1477 Art Drive

Room# 1 1 Kitchen

Contact: Tess 970-837-6450

02/17/25

Cabinet Report				
No	Name	Width	Height	Depth
0	*Milarc interior Door	40	83	4 15/16
34	FT Tall Applied FE Panel	3/4	95	26 3/8
35	Bottom Oven Drawer	30	12	25 1/2
36	Tall Applied FE Panel	3/4	95	26 3/8
37	Std Base ADJ	12	34 1/2	24
38	Mirco Drawer Opening	24	18 9/16	24
39	Bottom Micro Drawer	24	15 15/16	24
40	Top Sec Applied FE Pane	3/4	20 3/4	26 3/8
41	Top Sec Upper F-LR	30	20 3/4	25 1/2
42	Oven Stack Upper	30	28	25 1/2
43	Oven Single Opening	30	55	25 1/2
44	Top Sec Applied FE Pane	3/4	20 3/4	26 3/8
45	Top Sec Upper F-R	36	20 3/4	12
46	Standard Upper	36	41	12
47	Top Sec Applied FE Pane	3/4	20 3/4	12 7/8
48	Upper Applied FE Panel	3/4	41	12 7/8



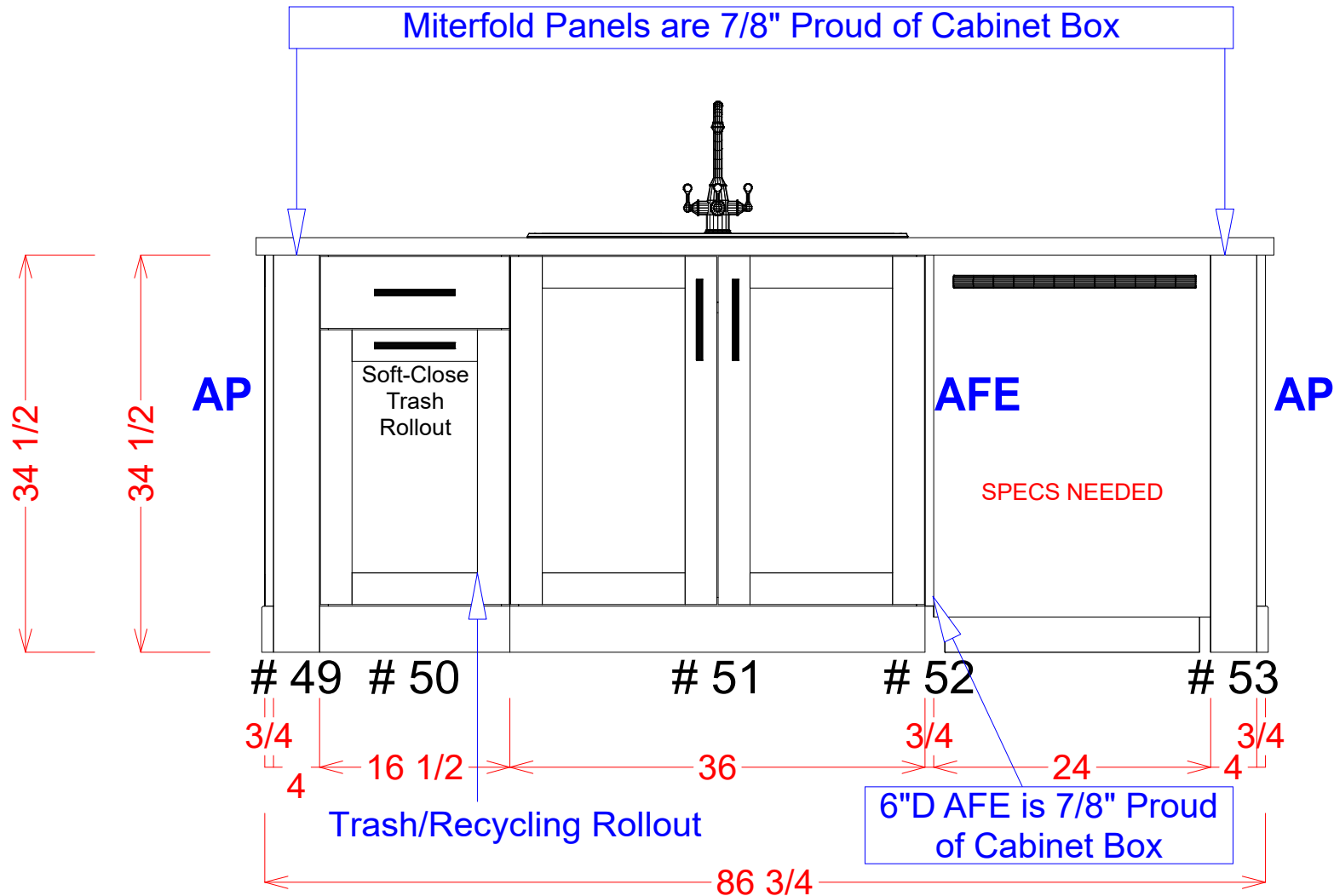
Fricke - 1477 Art Drive

Room# 1 1 Kitchen

Contact: Tess 970-837-6450

02/17/25

Cabinet Report				
No	Name	Width	Height	Depth
0	Dishwasher	24	34 1/2	24
0	Kitchen Sink	33	3/8	21 15/16
49	EF 2AP-L F6-R_FB	4	34 1/2	48
50	Trash Rollout	16 1/2	34 1/2	24
51	Sink Base	36	34 1/2	24
52	Base Applied FE Panel	3/4	34 1/2	6
53	EF 2AP-R F6-L_FB	4	34 1/2	48



610 Technology Circle
Windsor CO 80550

Fricke - 1477 Art Drive

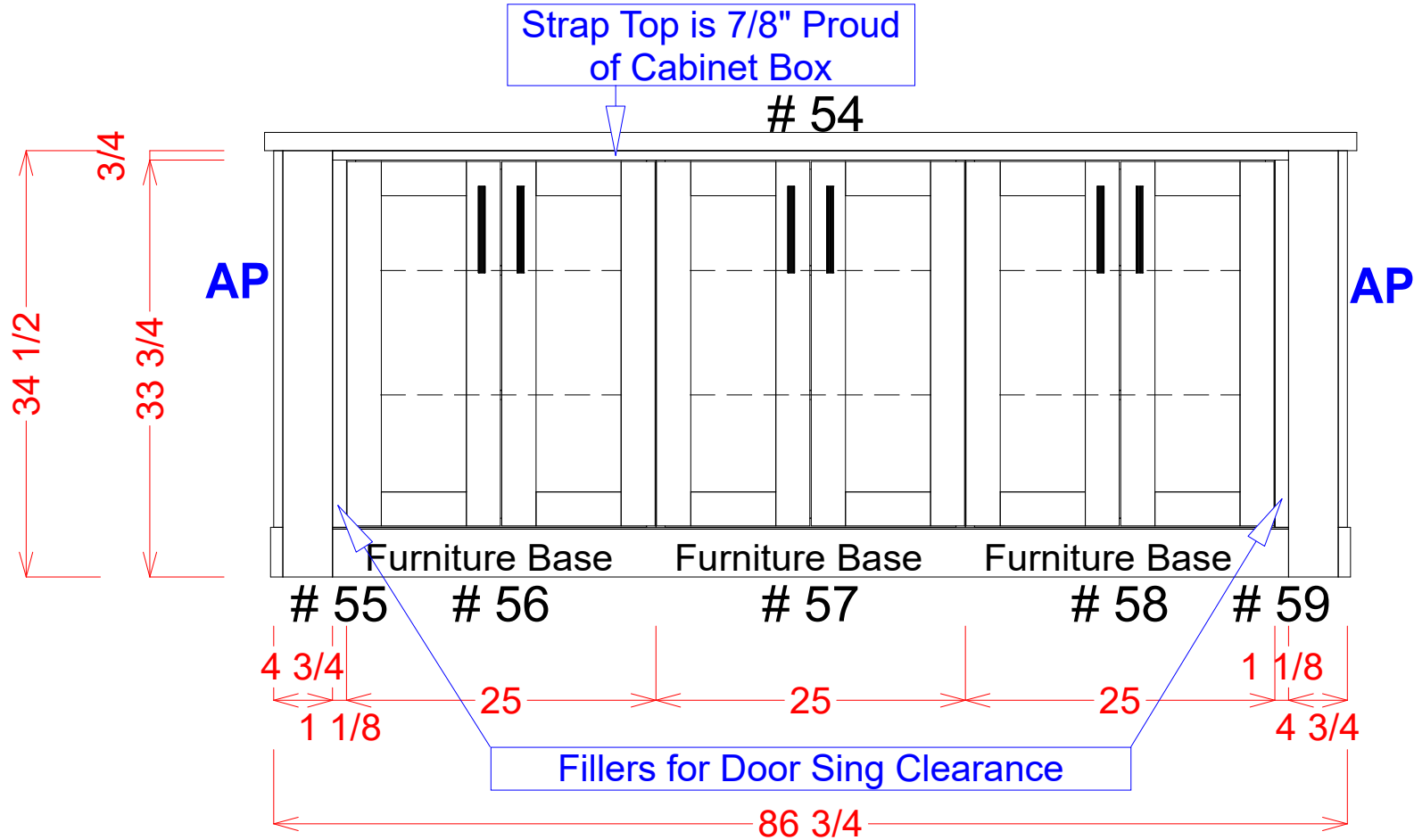
Room# 1 1 Kitchen

Contact: Tess 970-837-6450

02/17/25

Cabinet Report				
No	Name	Width	Height	Depth
54	3/4 Applied Top 6D	77 1/4	3/4	6
55	FT Base Filler Flush	1 1/8	33 3/4	9
56	FB Door ADJ	25	33 3/4	9
57	FB Door ADJ	25	33 3/4	9
58	FB Door ADJ	25	33 3/4	9
59	FT Base Filler Flush	1 1/8	33 3/4	9

Countertop Support By Others



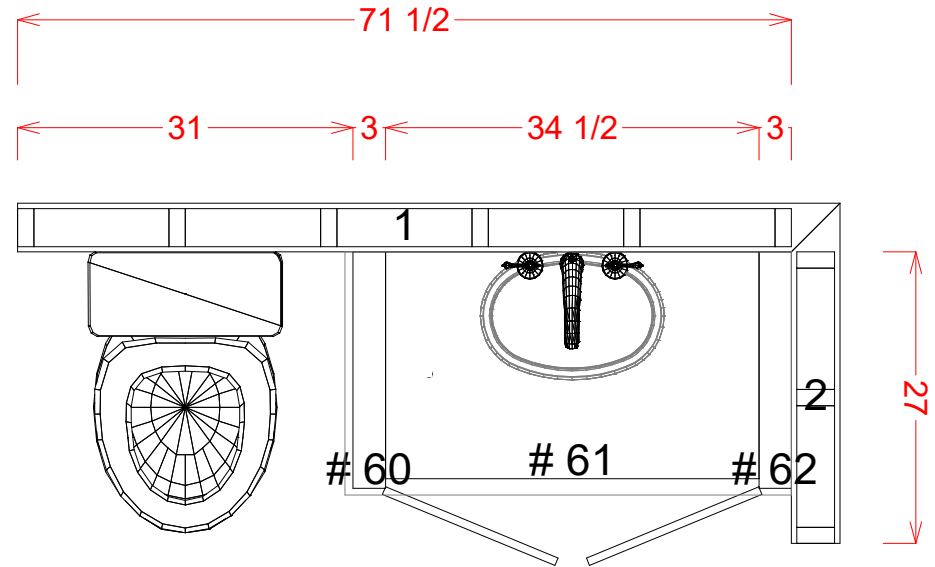
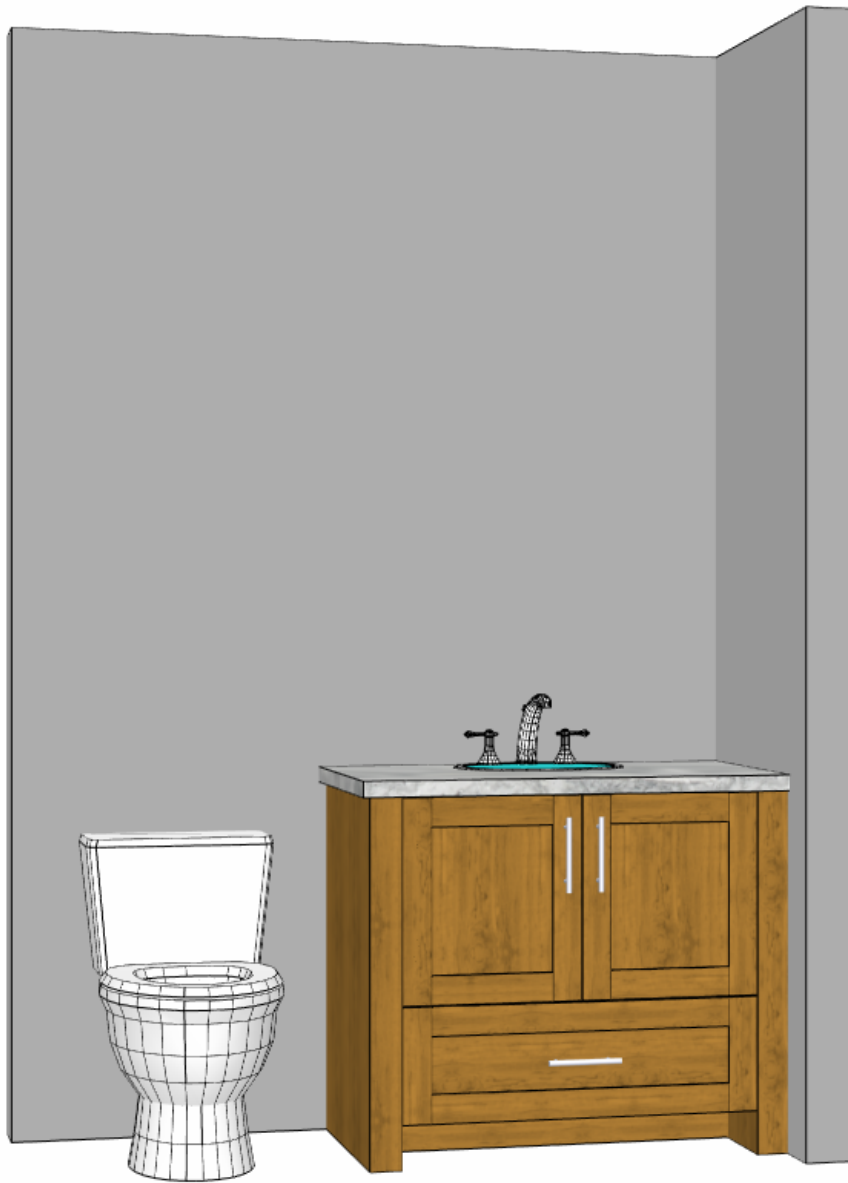
610 Technology Circle
Windsor CO 80550

Fricke - 1477 Art Drive

Room# 1 1 Kitchen

Contact: Tess 970-837-6450

02/17/25



Selections

2 Powder

Exterior: Hickory Rustic
Exterior Finish: **Spanish Pecan
Interior: ***Hardrock Melamine/BLK EB
Edge Banding Color: BLACK
Door Style: Durango
Drawer Front Style: Durango 5-pc
Drawer Construction: *5/8 Dovetail
Drawer Slides: *Blum Soft-Close
Hardware: 128mm - AM55277-BBR (Tier 2)
Crown Molding: *N/A

Modify Room for 8"D Toe



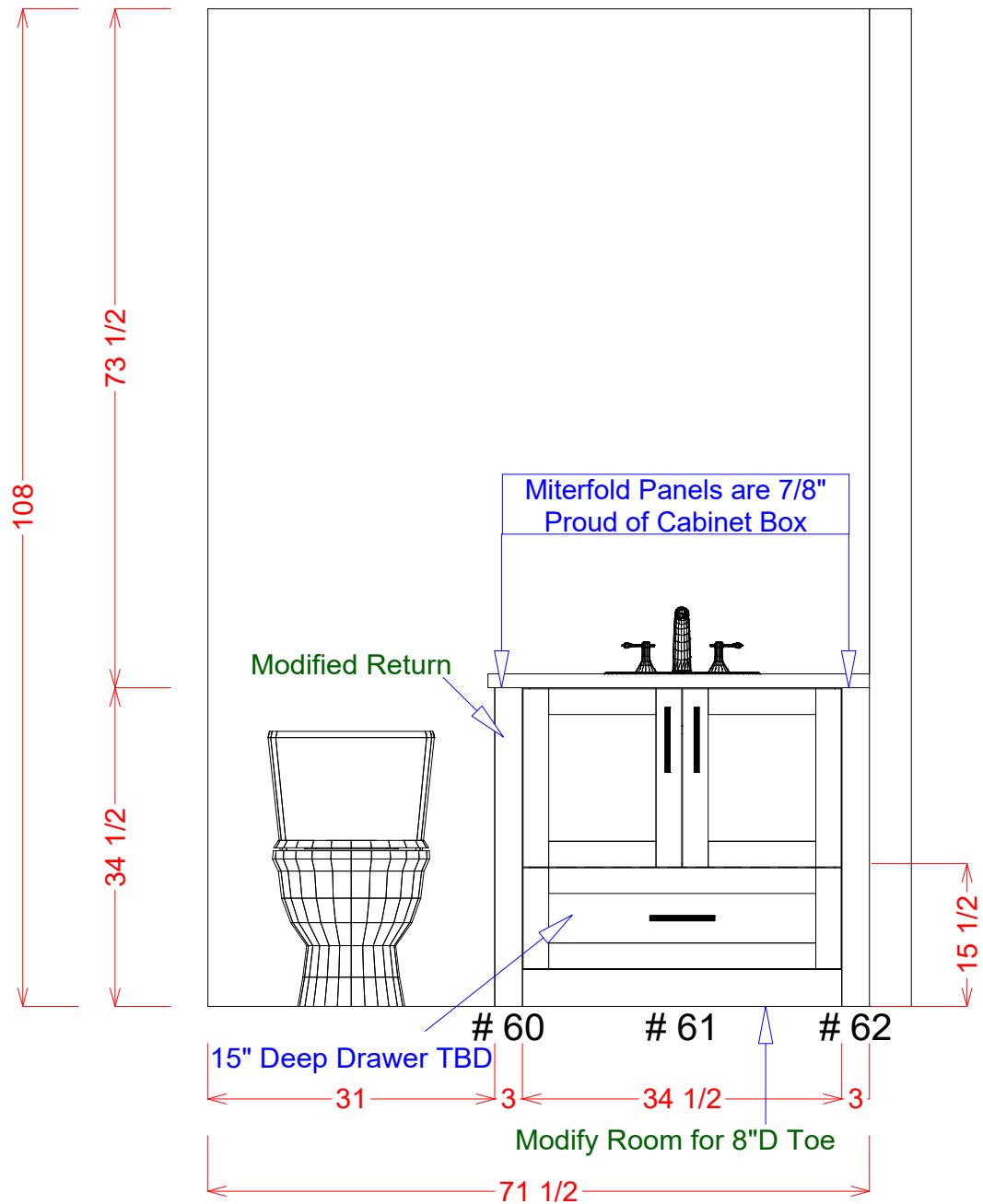
Fricke - 1477 Art Drive

2 Powder Plan

Contact: Tess 970-837-6450

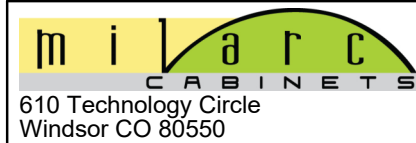
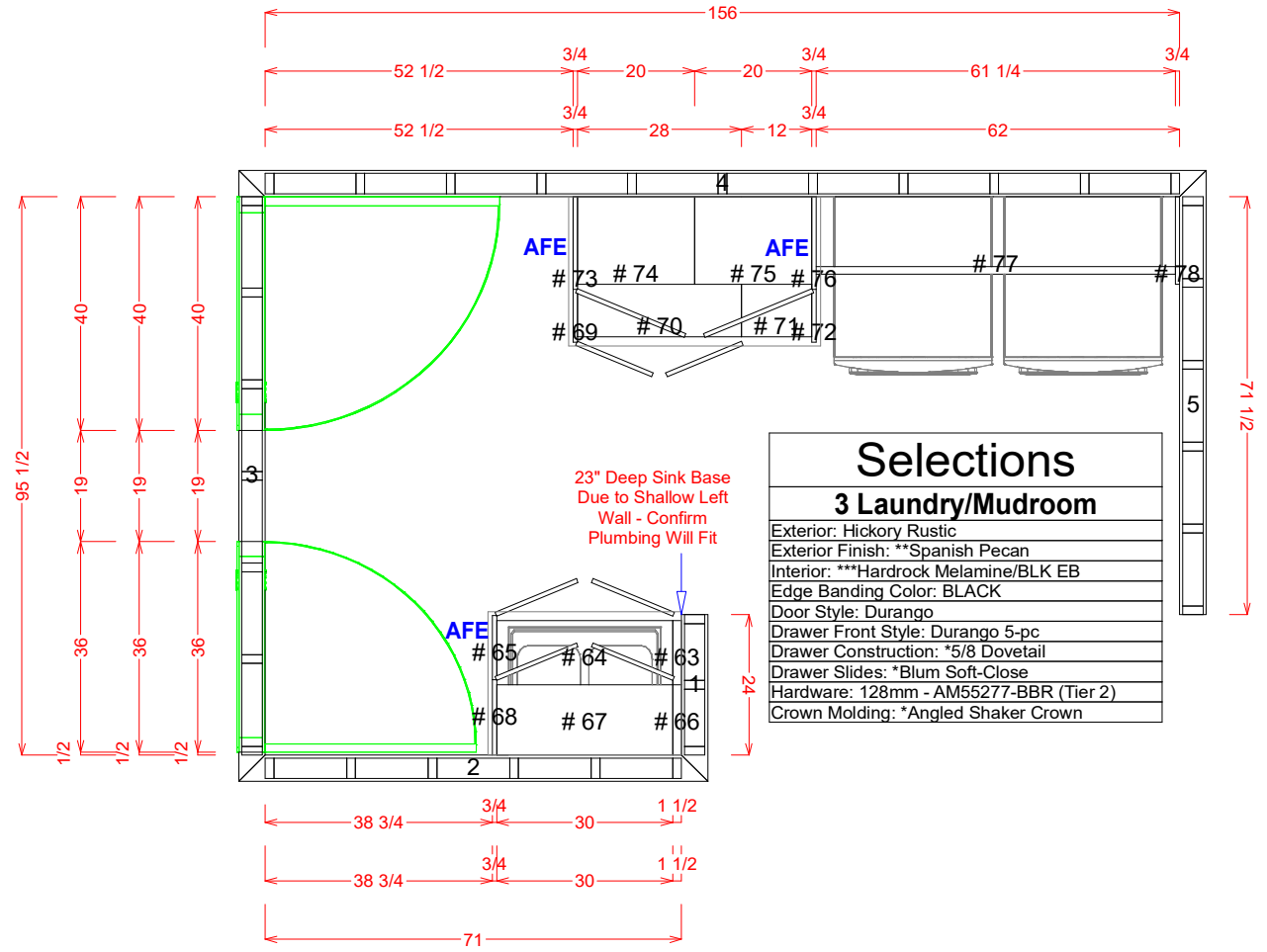
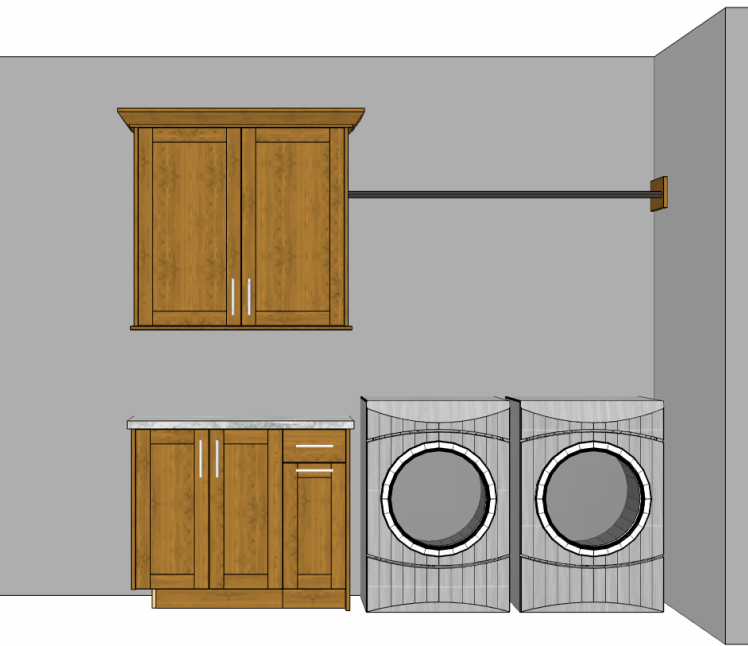
02/17/25

Cabinet Report				
No	Name	Width	Height	Depth
0	Toilet	18	30	26
0	BF-3	13	7 1/4	9
0	Oval Sink	17	1/8	11 7/8
60	Miter Base F-L F6-R	3	34 1/2	21 7/8
61	Sink Base 2DR 1DWR	34 1/2	34 1/2	21
62	Miter Base F-L	3	34 1/2	21 7/8



Fricke - 1477 Art Drive
 Room#2 2 Powder

Contact: Tess 970-837-6450
 02/17/25

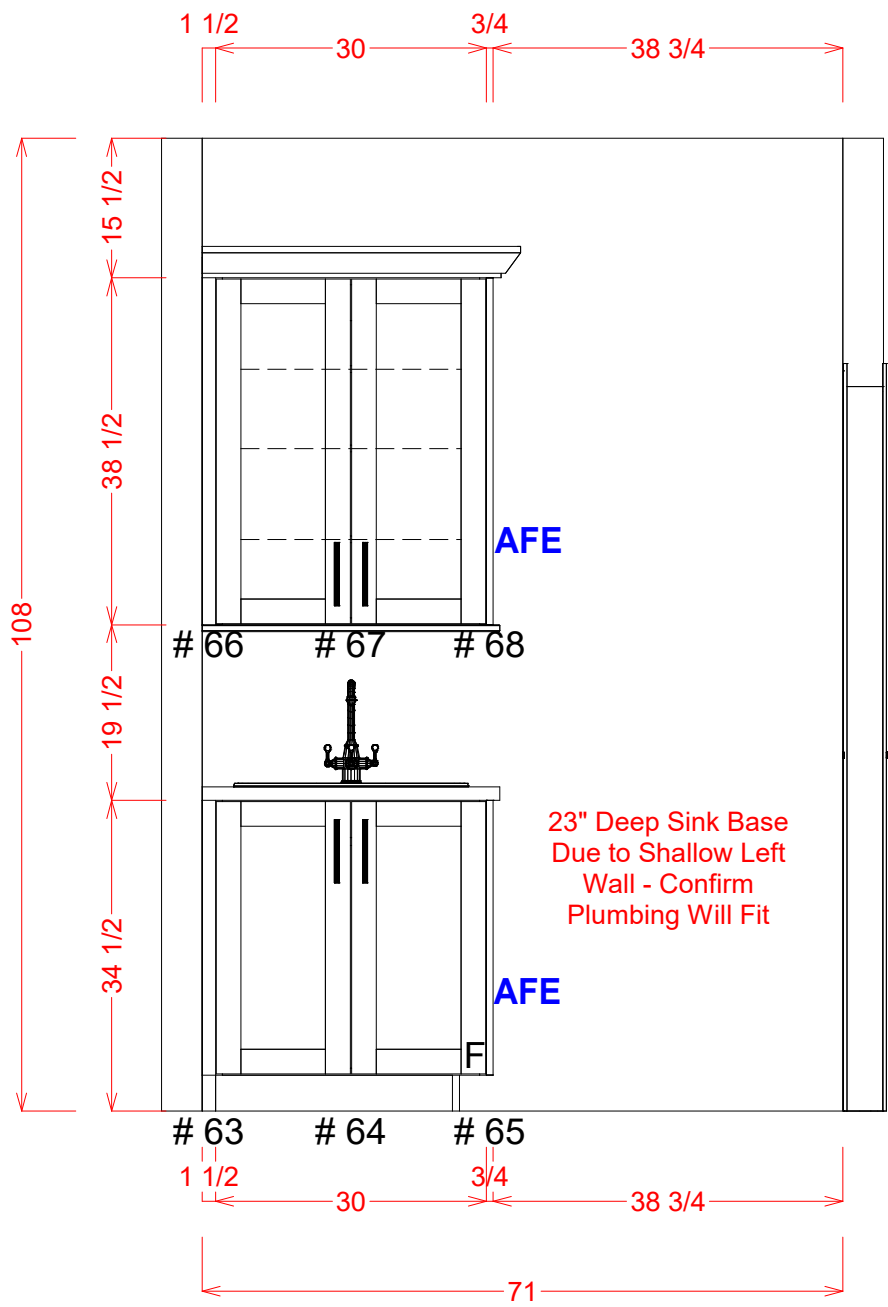


Fricke - 1477 Art Drive

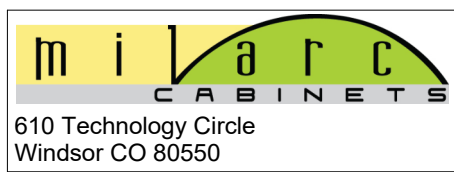
3 Laundry/Mudroom Plan

Contact: Tess 970-837-6450

02/17/25



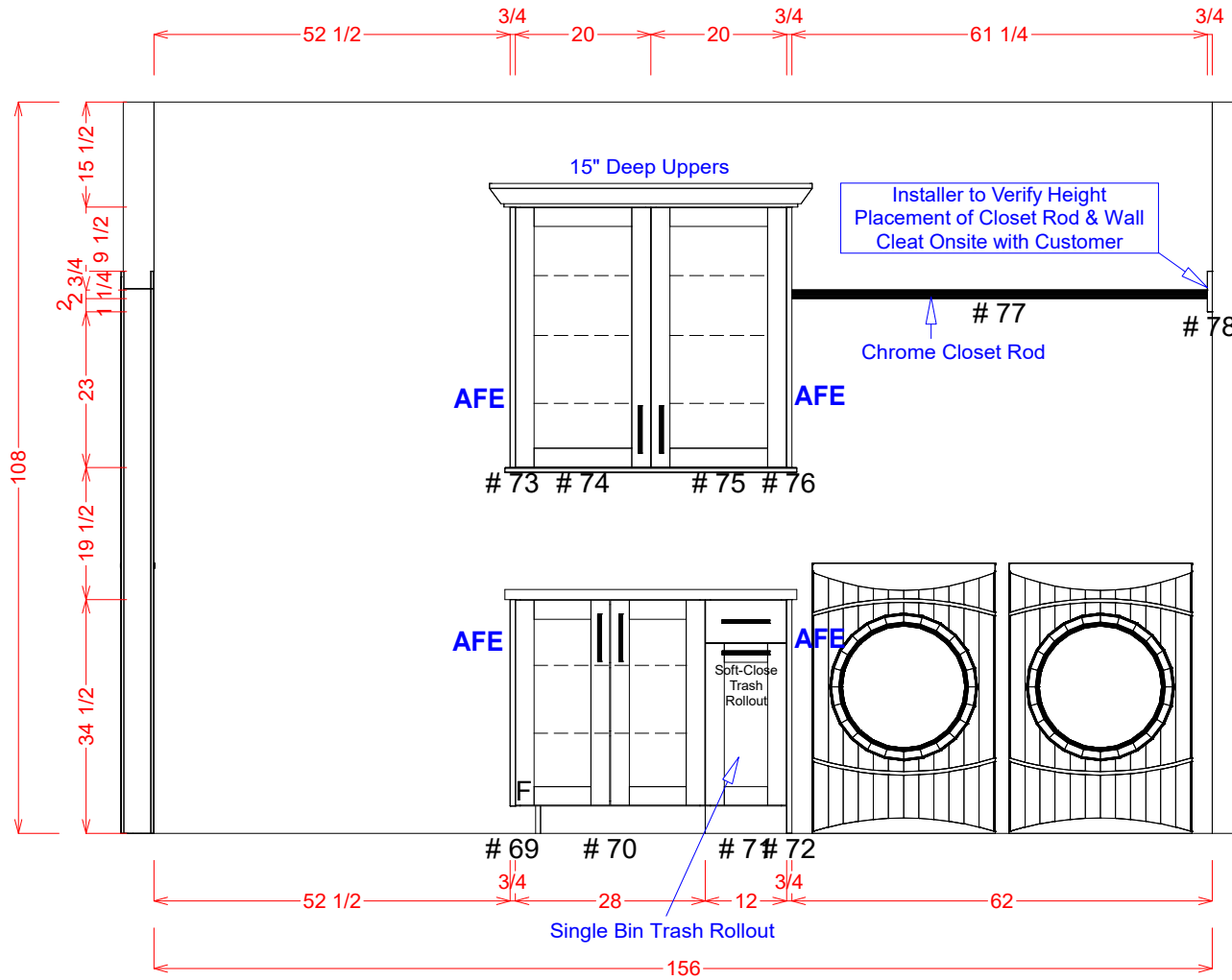
Cabinet Report				
No	Name	Width	Height	Depth
0	Kitchen Small Sink	26	3/8	21 15/16
63	Base Filler Flush	1 1/2	34 1/2	23
64	Sink Base	30	34 1/2	23
65	Base Applied FE Panel	3/4	34 1/2	23 7/8
66	Upper Filler Flush	1 1/2	38 1/2	12
67	Standard Upper	30	38 1/2	12
68	Upper Applied FE Panel	3/4	38 1/2	12 7/8



Fricke - 1477 Art Drive
Room#3 3 Laundry/Mudroom

Contact: Tess 970-837-6450
02/17/25

Cabinet Report				
No	Name	Width	Height	Depth
0	Washer	27	39 7/8	30 1/2
0	Dryer	27	39 7/8	30 1/2
69	Base Applied FE Panel	3/4	34 1/2	24 7/8
70	Door Base ADJ	28	34 1/2	24
71	Trash Rollout	12	34 1/2	24
72	FT Base Applied FE Panel	3/4	34 1/2	24 7/8
73	Upper Applied FE Panel	3/4	38 1/2	15 7/8
74	Standard Upper	20	38 1/2	15
75	Standard Upper	20	38 1/2	15
76	Upper Applied FE Panel	3/4	38 1/2	15 7/8
77	Closet Rod	61 1/4	1 1/4	1 1/4
78	Rod Cleat	3/4	6	15



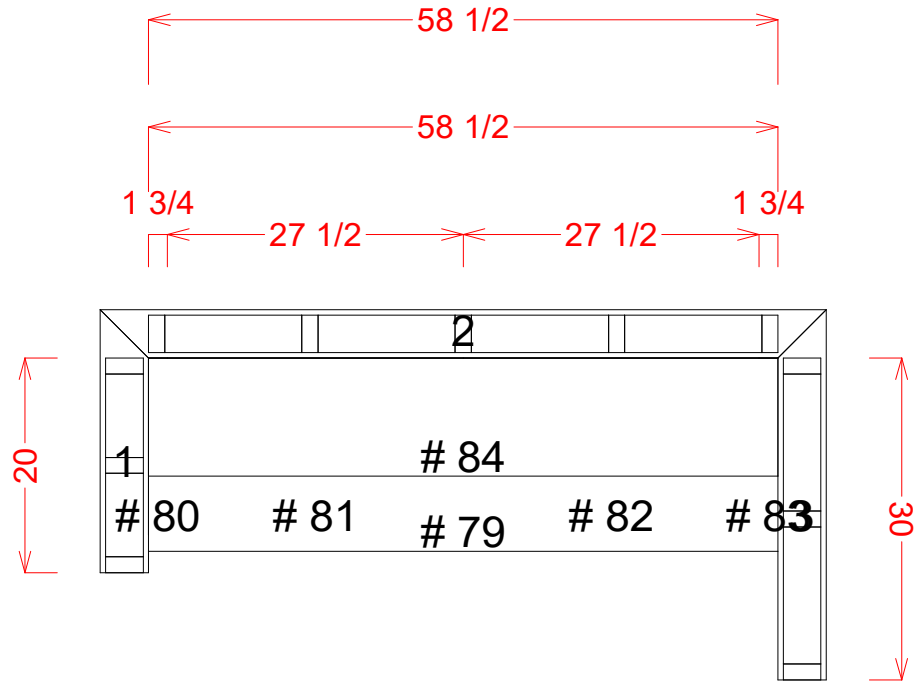
610 Technology Circle
Windsor CO 80550

Fricke - 1477 Art Drive

Room#3 3 Laundry/Mudroom

Contact: Tess 970-837-6450

02/17/25



Selections

4 Master Closet

Exterior: Hickory Rustic
Exterior Finish: **Spanish Pecan
Interior: ***Hardrock Melamine/BLK EB
Edge Banding Color: BLACK
Door Style: Durango
Drawer Front Style: Durango 5-pc
Drawer Construction: *5/8 Dovetail
Drawer Slides: *Blum Soft-Close
Hardware: 128mm - AM55277-BBR (Tier 2)
Crown Molding: *N/A

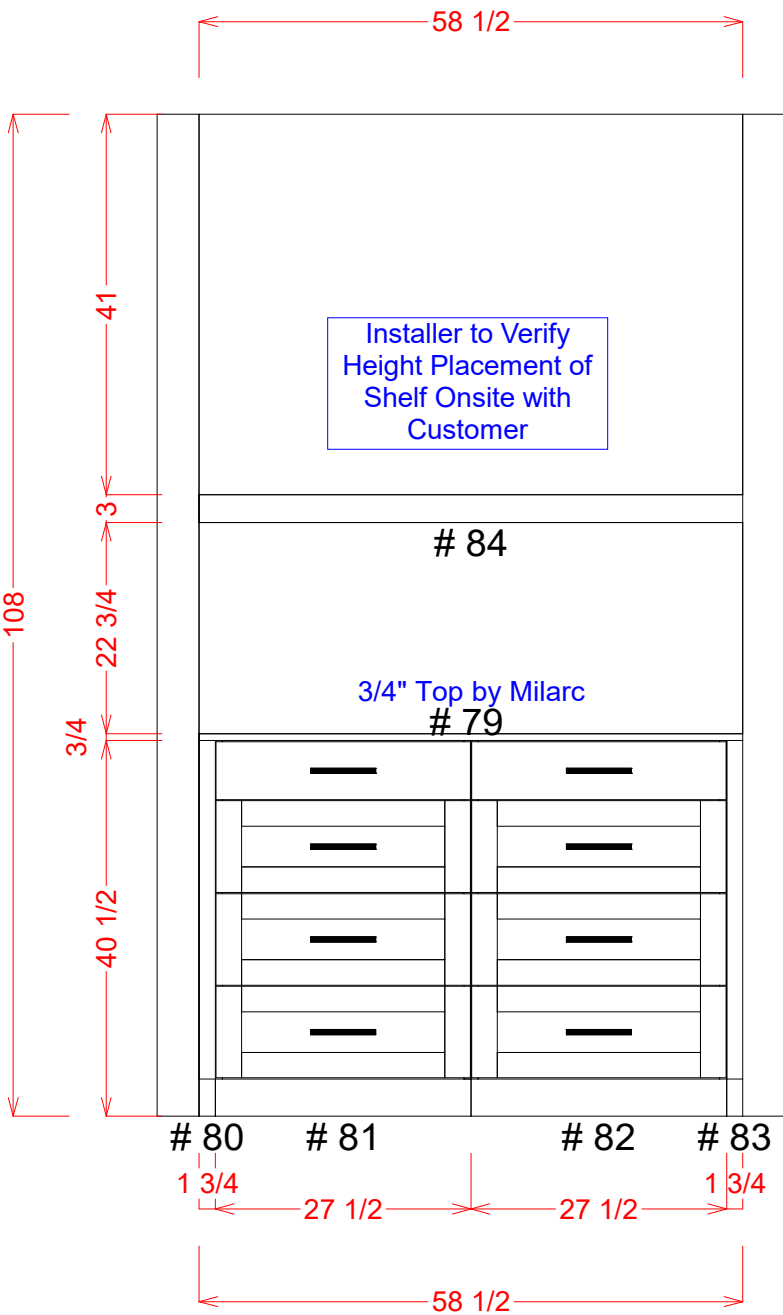


Fricke - 1477 Art Drive

4 Master Closet Plan

Contact: Tess 970-837-6450

02/17/25

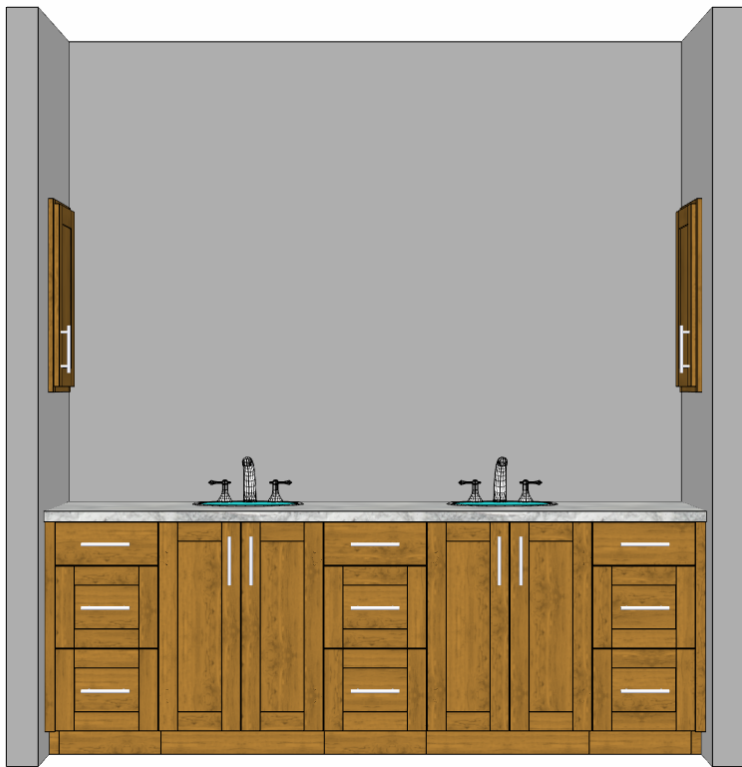
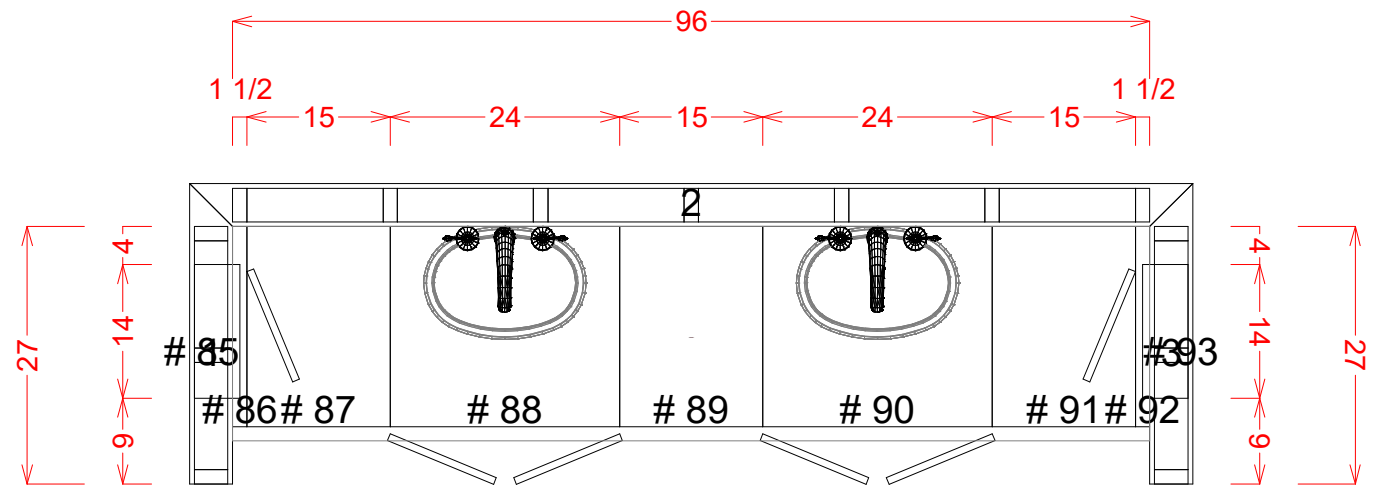


Cabinet Report				
No	Name	Width	Height	Depth
79	EB Top	58 1/2	3/4	18
80	Base Filler Flush	1 3/4	40 1/2	16 1/2
81	4 Drawer Base	27 1/2	40 1/2	16 1/2
82	4 Drawer Base	27 1/2	40 1/2	16 1/2
83	Base Filler Flush	1 3/4	40 1/2	16 1/2
84	Miter Shelf	58 1/2	3	11



Fricke - 1477 Art Drive
 Room#4 4 Master Closet

Contact: Tess 970-837-6450
 02/17/25



Selections

5 Master Bath

Exterior: Hickory Rustic
Exterior Finish: **Spanish Pecan
Interior: ***Hardrock Melamine/BLK EB
Edge Banding Color: BLACK
Door Style: Durango
Drawer Front Style: Durango 5-pc
Drawer Construction: *5/8 Dovetail
Drawer Slides: *Blum Soft-Close
Hardware: 128mm - AM55277-BBR (Tier 2)
Crown Molding: *N/A



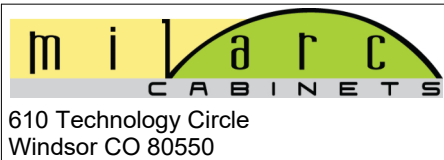
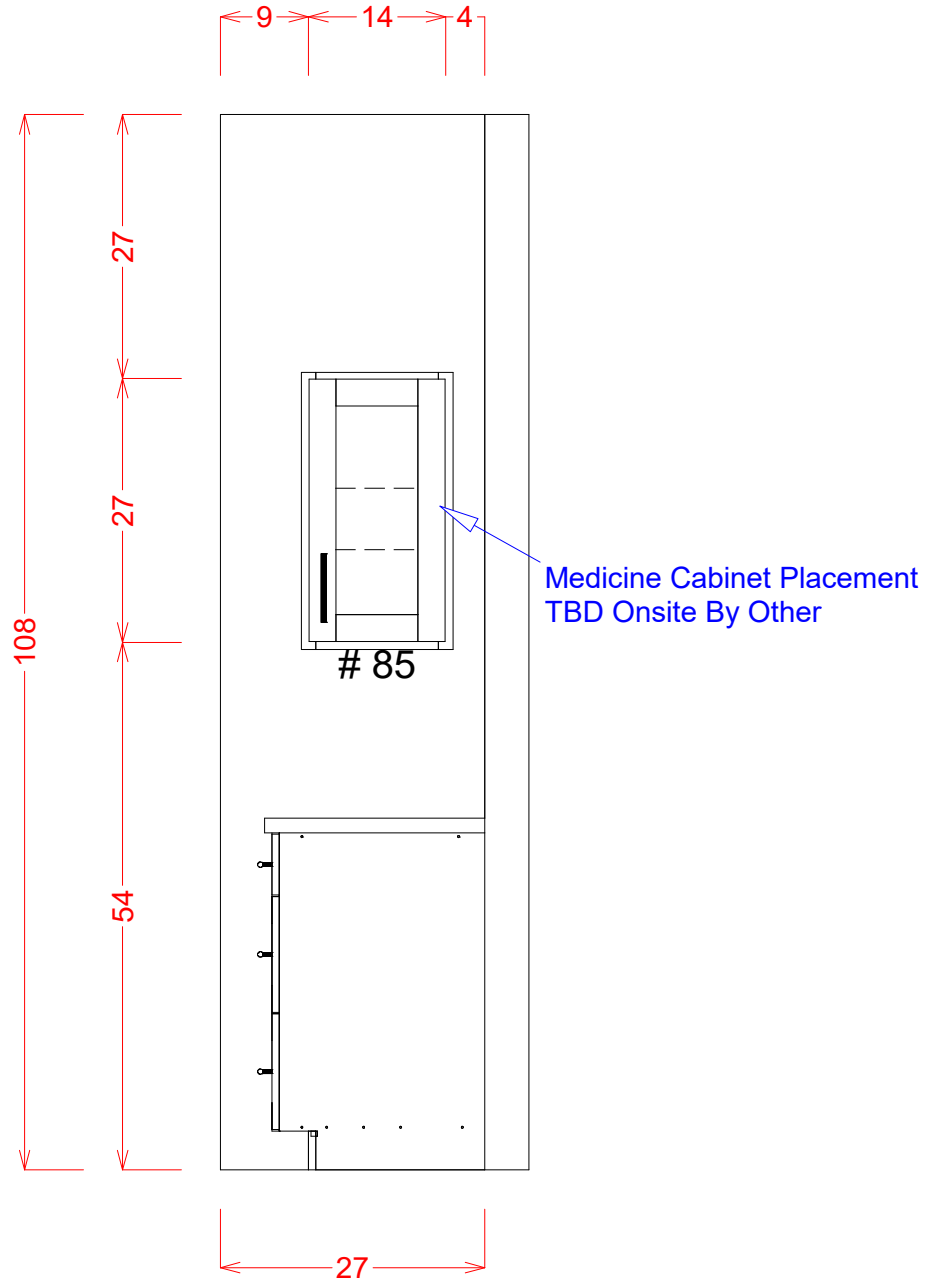
Fricke - 1477 Art Drive

5 Master Bath Plan

Contact: Tess 970-837-6450

02/17/25

Cabinet Report				
No	Name	Width	Height	Depth
85	Medicine Cabinet	14	27	4 3/4

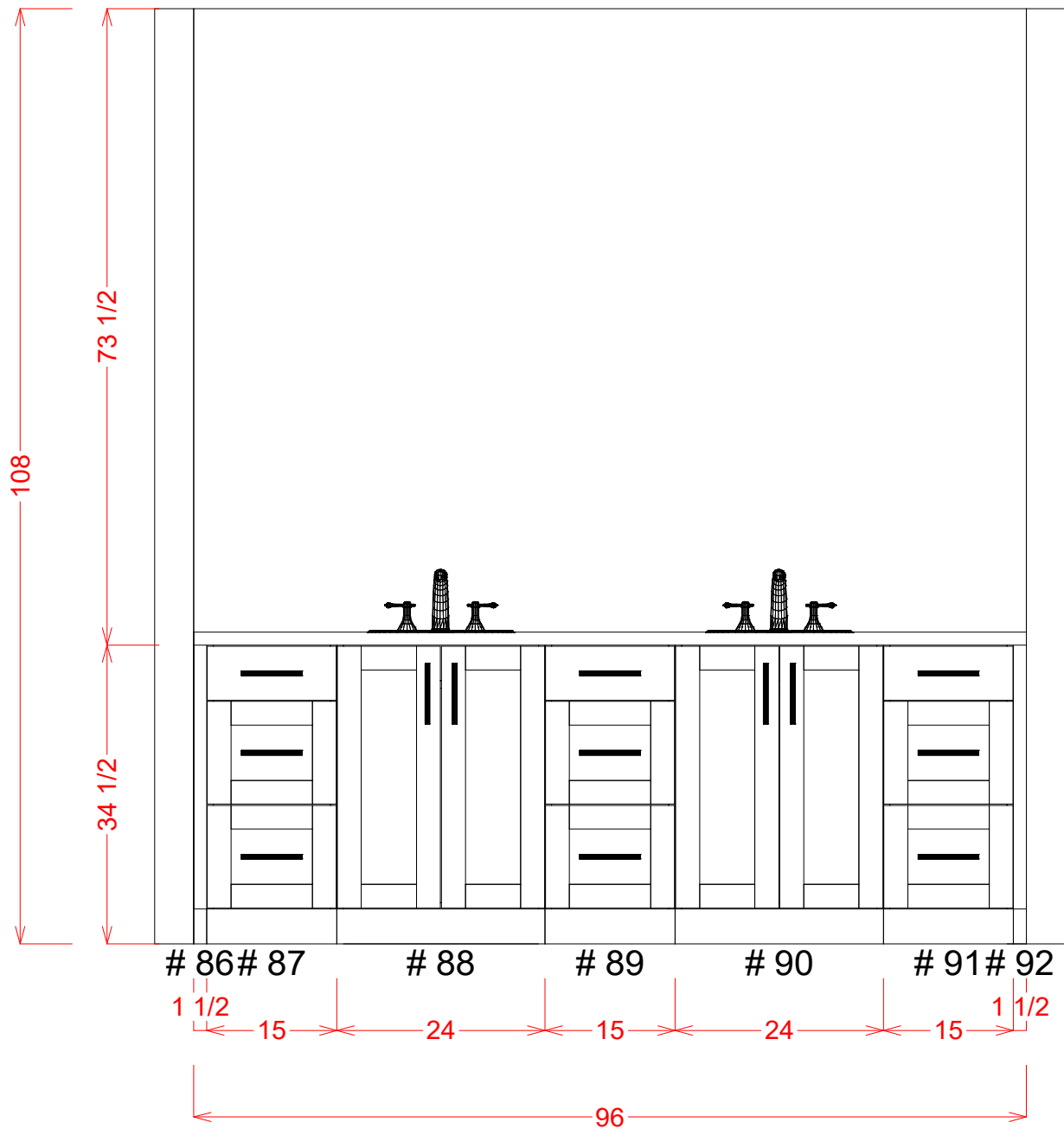


Fricke - 1477 Art Drive

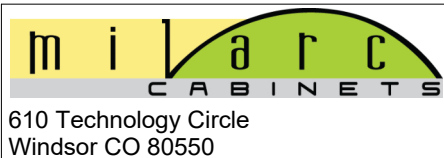
Room#5 5 Master Bath

Contact: Tess 970-837-6450

02/17/25



Cabinet Report				
No	Name	Width	Height	Depth
0	BF-3	13	7 1/4	9
0	Oval Sink	17	1/8	11 7/8
0	BF-3	13	7 1/4	9
0	Oval Sink	17	1/8	11 7/8
86	Base Filler Flush	1 1/2	34 1/2	21
87	3 Drawer Base	15	34 1/2	21
88	Sink Base	24	34 1/2	21
89	3 Drawer Base	15	34 1/2	21
90	Sink Base	24	34 1/2	21
91	3 Drawer Base	15	34 1/2	21
92	Base Filler Flush	1 1/2	34 1/2	21



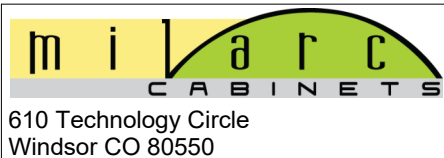
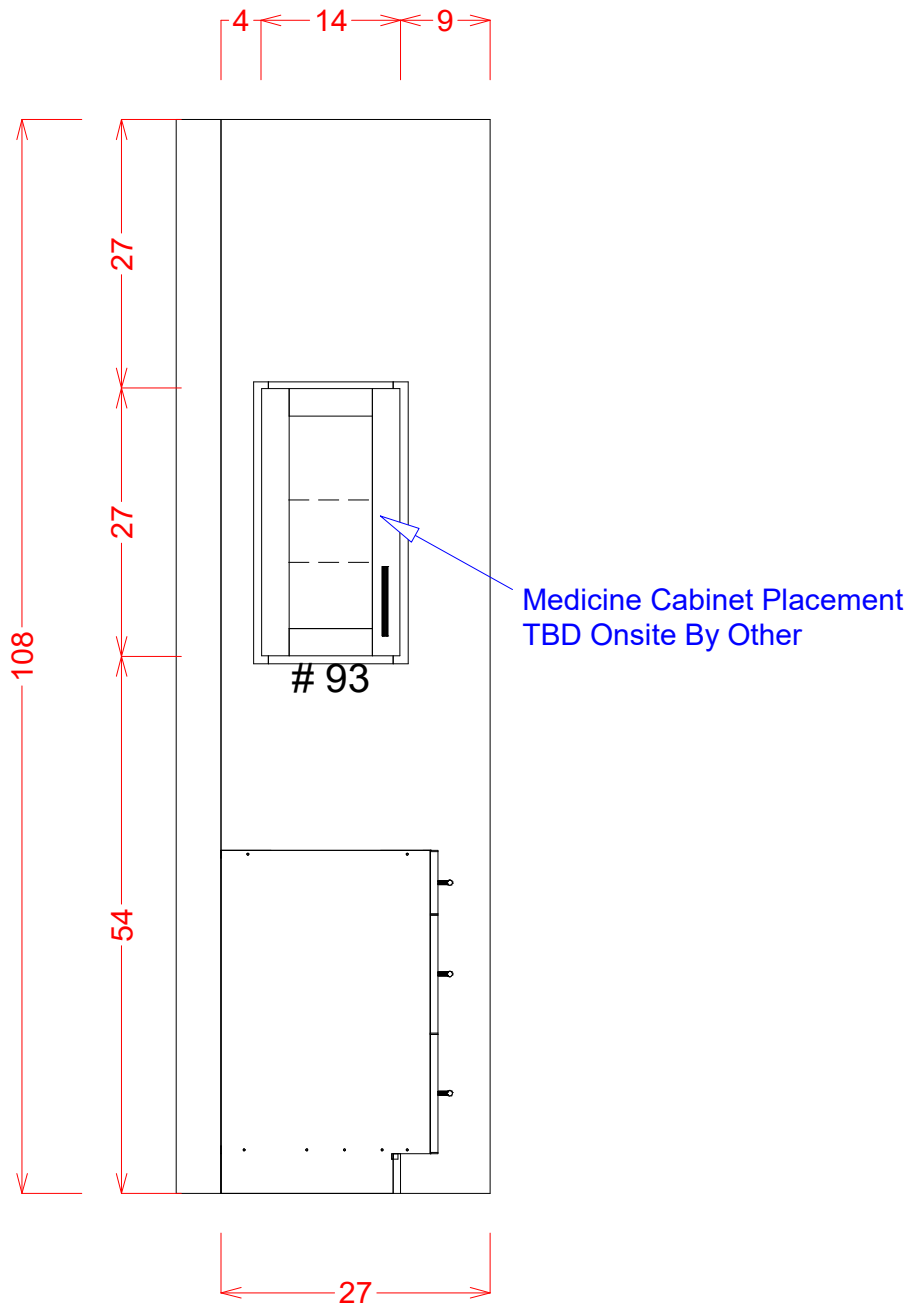
Fricke - 1477 Art Drive

Room#5 5 Master Bath

Contact: Tess 970-837-6450

02/17/25

Cabinet Report				
No	Name	Width	Height	Depth
93	Medicine Cabinet	14	27	4 3/4

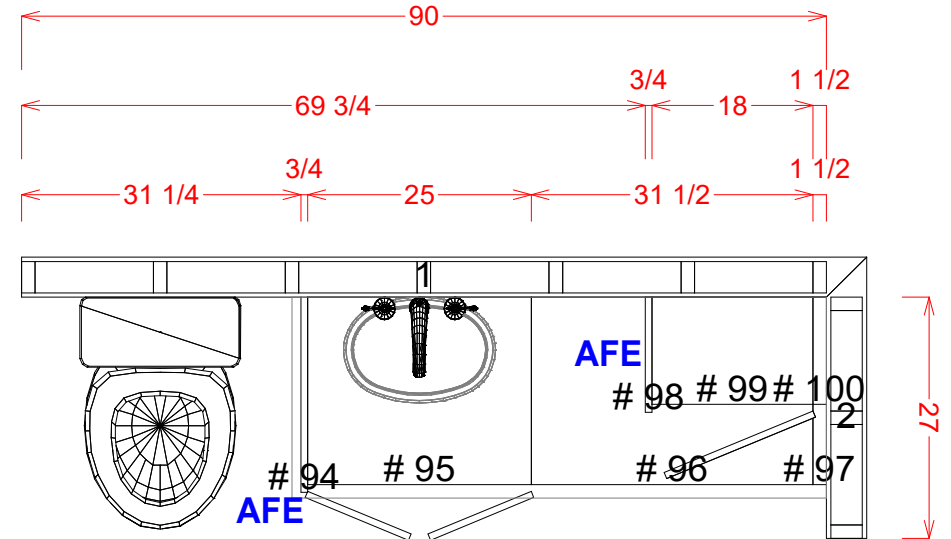


Fricke - 1477 Art Drive

Room#5 5 Master Bath

Contact: Tess 970-837-6450

02/17/25

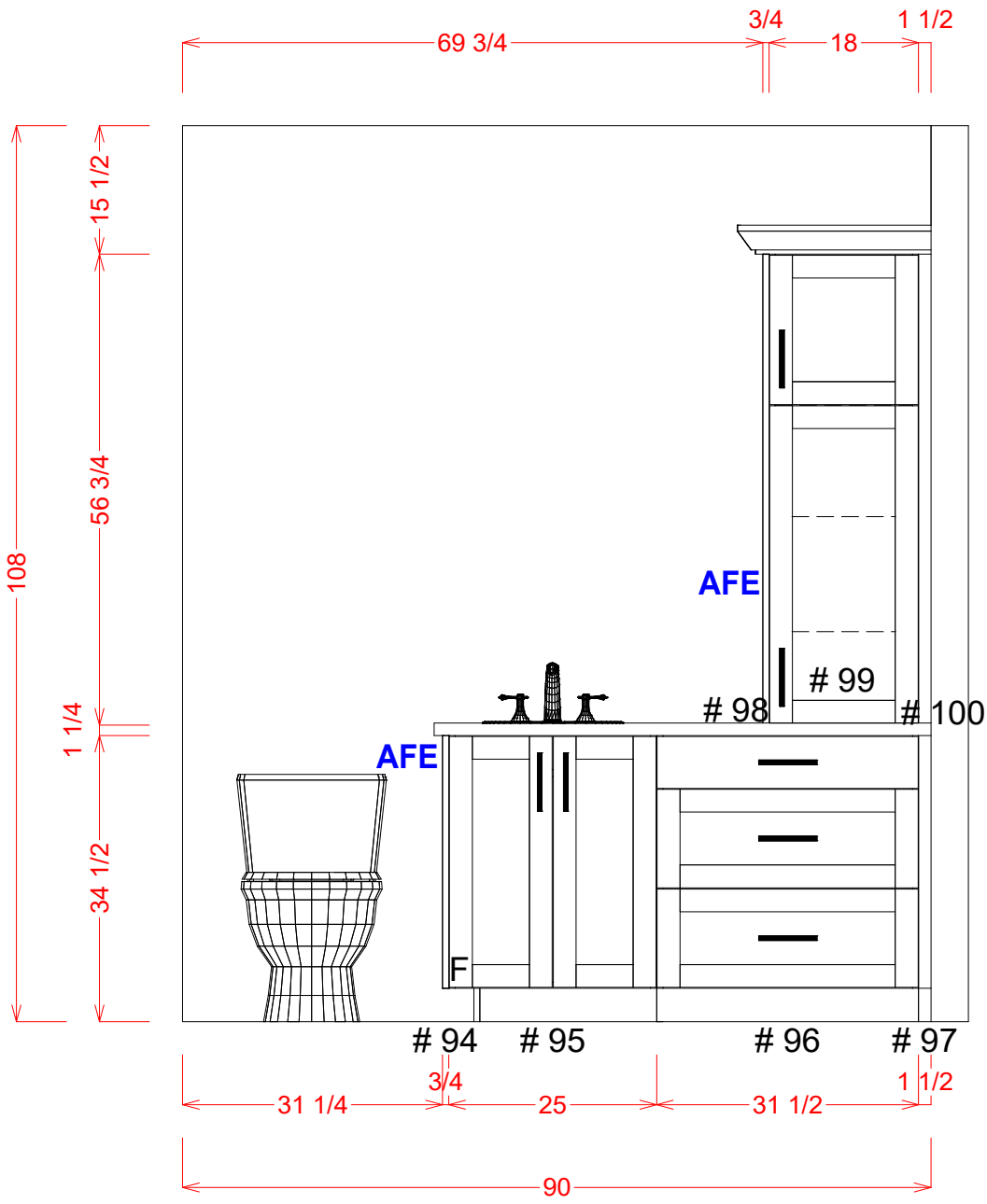


Selections	
6 Hall Bath Plan	
Exterior:	Hickory Rustic
Exterior Finish:	**Spanish Pecan
Interior:	***Hardrock Melamine/BLK EB
Edge Banding Color:	BLACK
Door Style:	Durango
Drawer Front Style:	Durango 5-pc
Drawer Construction:	*5/8 Dovetail
Drawer Slides:	*Blum Soft-Close
Hardware:	128mm - AM55277-BBR (Tier 2)
Crown Molding:	*Angled Shaker Crown



Fricke - 1477 Art Drive
6 Hall Bath Plan

Contact: Tess 970-837-6450
02/17/25



Cabinet Report				
No	Name	Width	Height	Depth
0	Toilet	18	30	26
0	BF-3	13	7 1/4	9
0	Oval Sink	17	1/8	11 7/8
94	Base Applied FE Panel	3/4	34 1/2	21 7/8
95	Sink Base	25	34 1/2	21
96	3 Drawer Base	31 1/2	34 1/2	21
97	Base Filler Flush	1 1/2	34 1/2	21
98	Tower Applied FE Panel	3/4	56 3/4	12 7/8
99	Split Door Tower	18	56 3/4	12
100	Tower Filler Flush	1 1/2	56 3/4	12

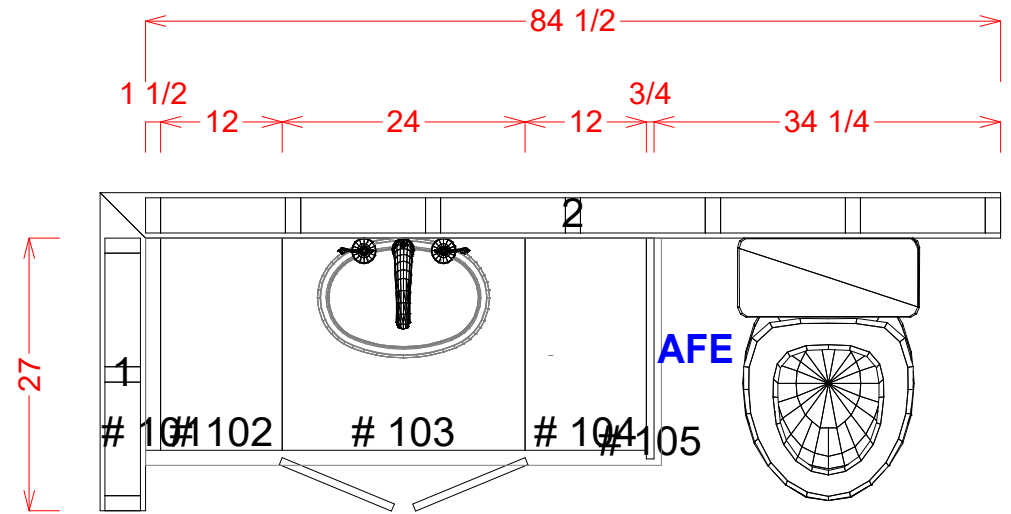
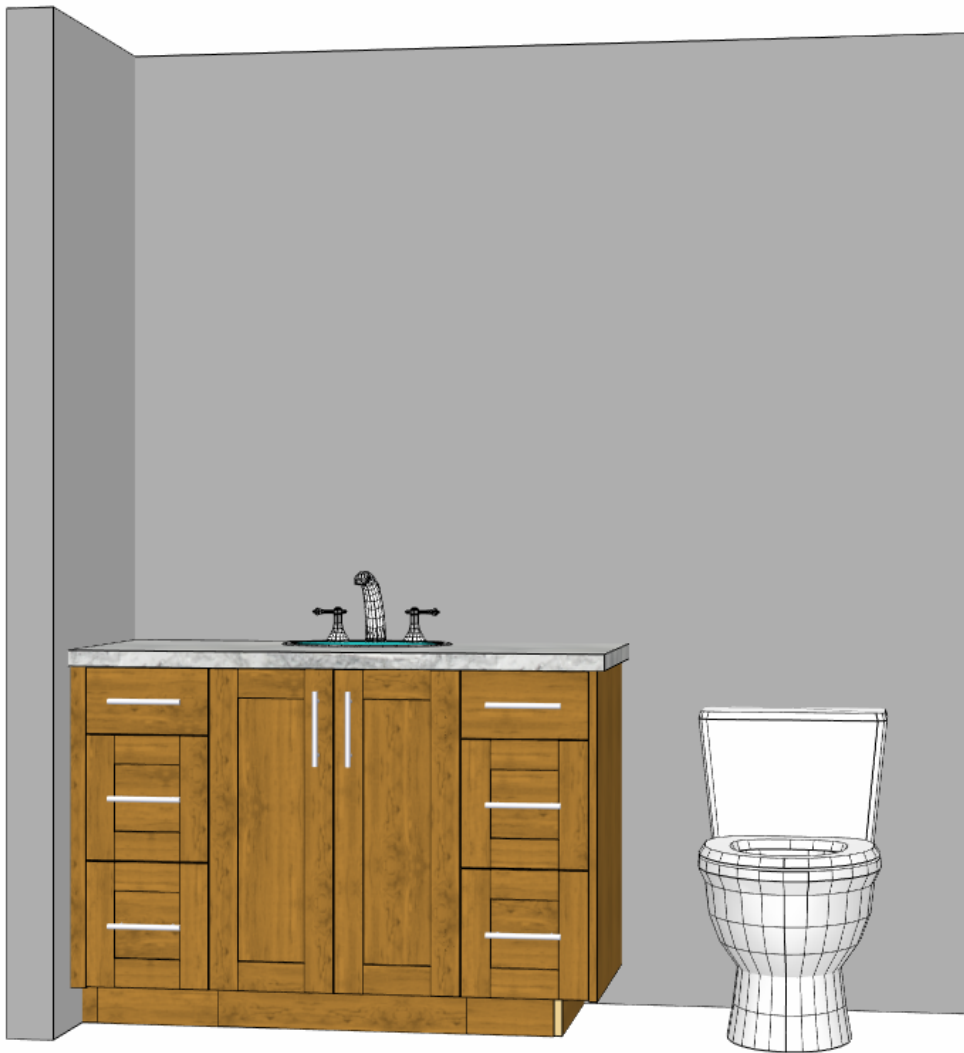


Fricke - 1477 Art Drive

Room#6 6 Hall Bath Plan

Contact: Tess 970-837-6450

02/17/25



Selections

7 Down Hall Bath

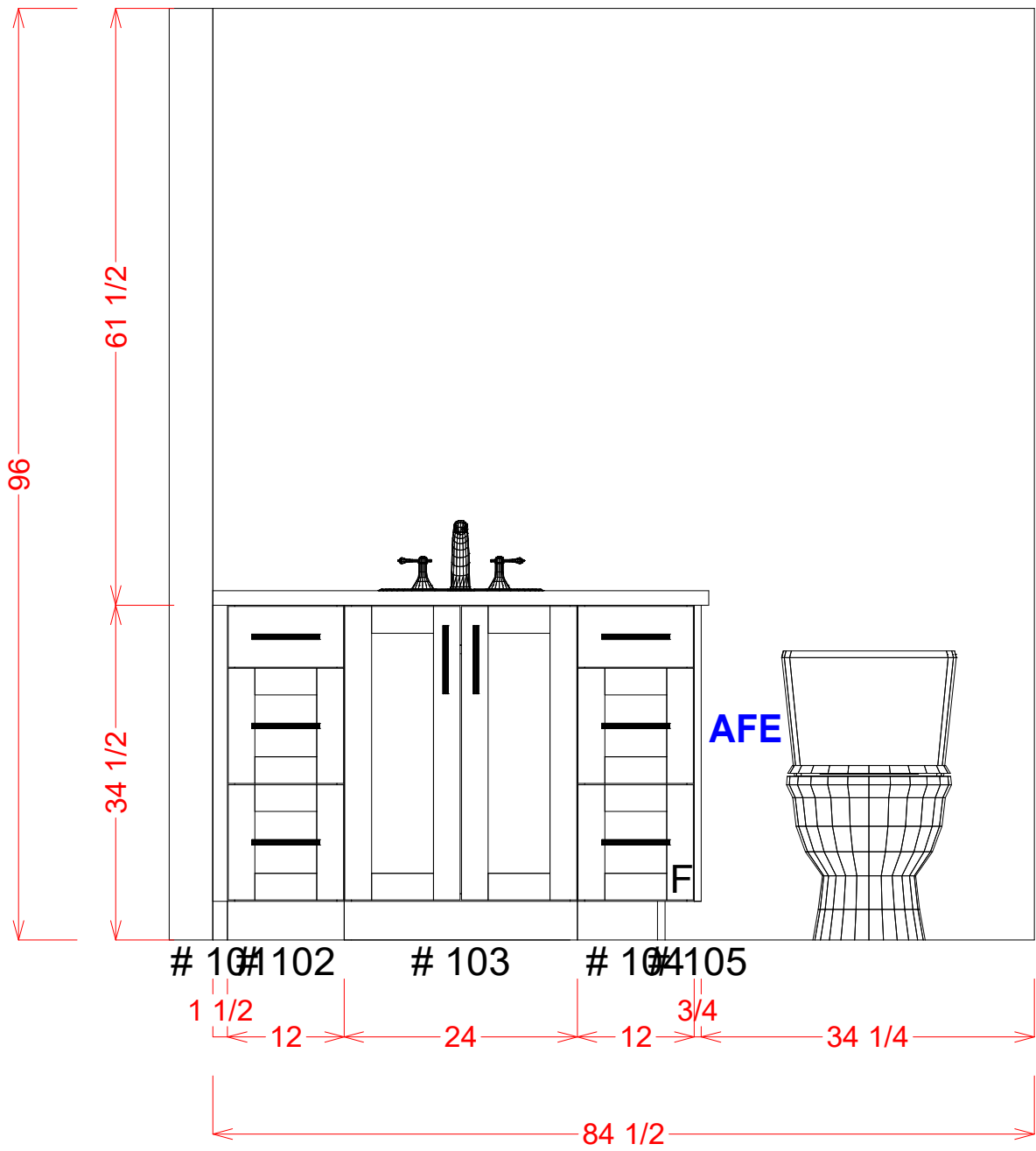
Exterior: Hickory Rustic
Exterior Finish: **Spanish Pecan
Interior: ***Hardrock Melamine/BLK EB
Edge Banding Color: BLACK
Door Style: Durango
Drawer Front Style: Durango 5-pc
Drawer Construction: *5/8 Dovetail
Drawer Slides: *Blum Soft-Close
Hardware: 128mm - AM5277-BBR (Tier 2)
Crown Molding: *N/A



Fricke - 1477 Art Drive
7 Down Hall Bath Plan

Contact: Tess 970-837-6450

02/17/25



Cabinet Report				
No	Name	Width	Height	Depth
0	Toilet	18	30	26
0	BF-3	13	7 1/4	9
0	Oval Sink	17	1/8	11 7/8
101	Base Filler Flush	1 1/2	34 1/2	21
102	3 Drawer Base	12	34 1/2	21
103	Sink Base	24	34 1/2	21
104	3 Drawer Base	12	34 1/2	21
105	Base Applied FE Panel	3/4	34 1/2	21 7/8



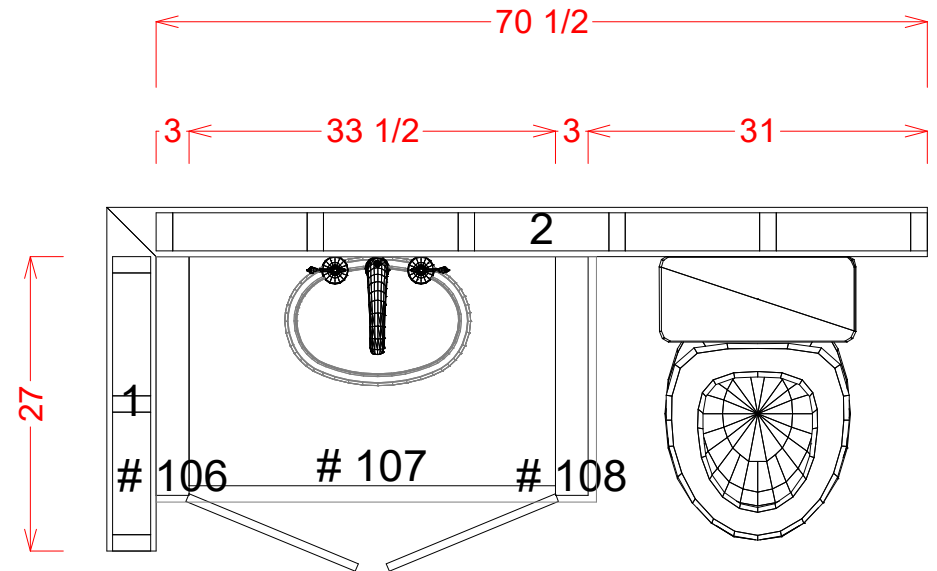
610 Technology Circle
Windsor CO 80550

Fricke - 1477 Art Drive

Room#7 7 Down Hall Bath

Contact: Tess 970-837-6450

02/17/25



Selections

8 Down Powder

Exterior: Hickory Rustic

Exterior Finish: **Spanish Pecan

Interior: ***Hardrock Melamine/BLK EB

Edge Banding Color: BLACK

Door Style: Durango

Drawer Front Style: Durango 5-pc

Drawer Construction: *5/8 Dovetail

Drawer Slides: *Blum Soft-Close

Hardware: 128mm - AM55277-BBR (Tier 2)

Crown Molding: *N/A

Modify Room for 8"D Toe

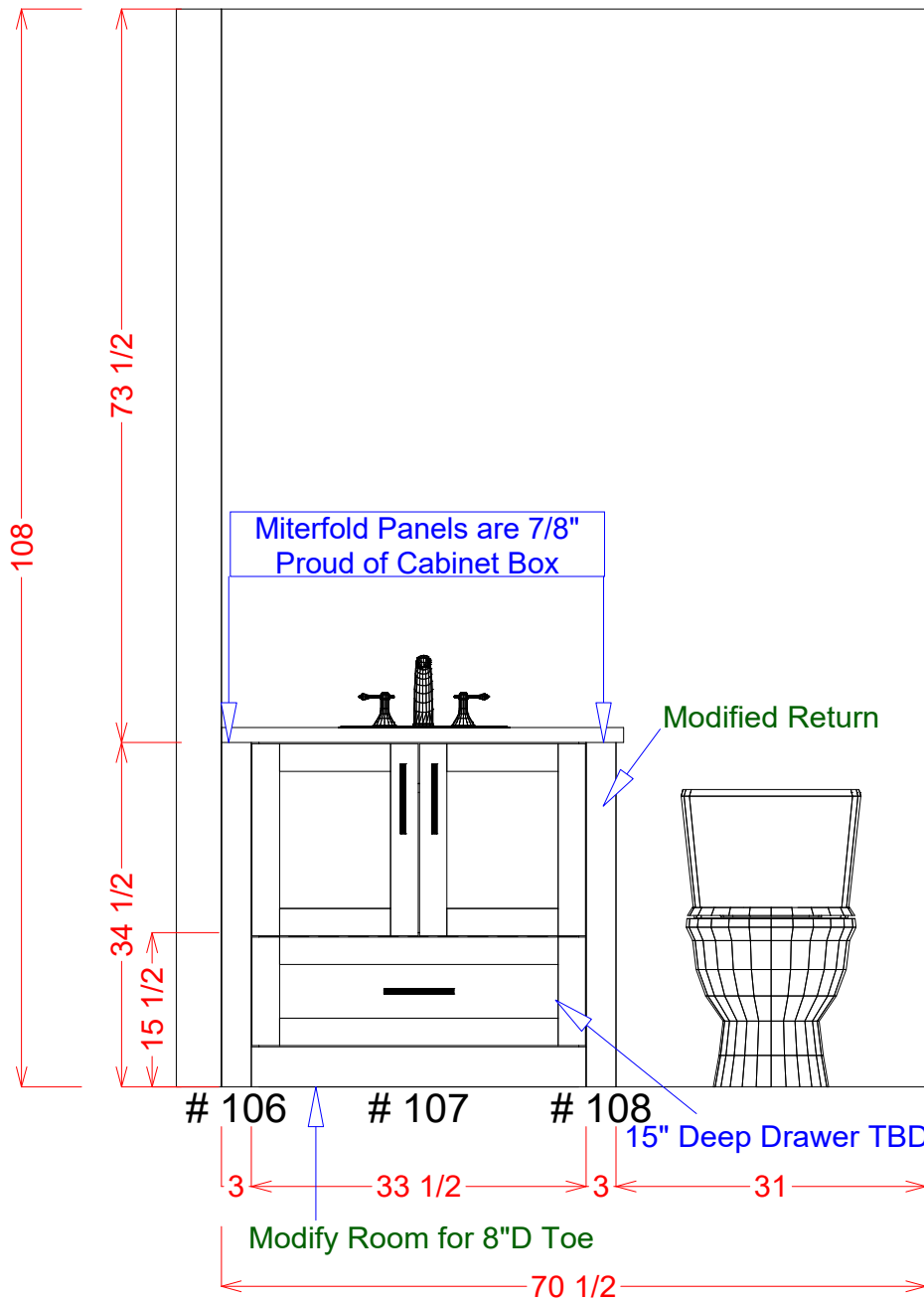


Fricke - 1477 Art Drive

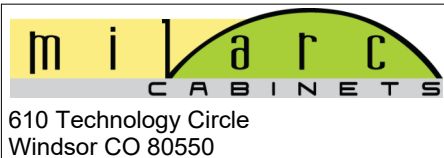
8 Down Powder Plan

Contact: Tess 970-837-6450

02/17/25



Cabinet Report				
No	Name	Width	Height	Depth
0	BF-3	13	7 1/4	9
0	Oval Sink	17	1/8	11 7/8
0	Toilet	18	30	26
106	Miter Base F-R	3	34 1/2	21 7/8
107	Sink Base 2DR 1DWR	33 1/2	34 1/2	21
108	Miter Base F-R F6-L	3	34 1/2	21 7/8



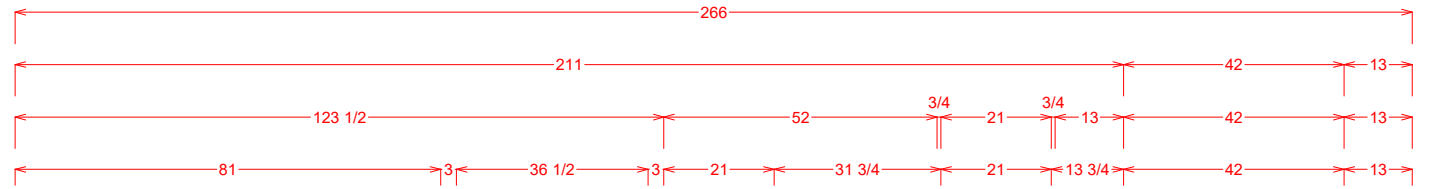
610 Technology Circle
Windsor CO 80550

Fricke - 1477 Art Drive

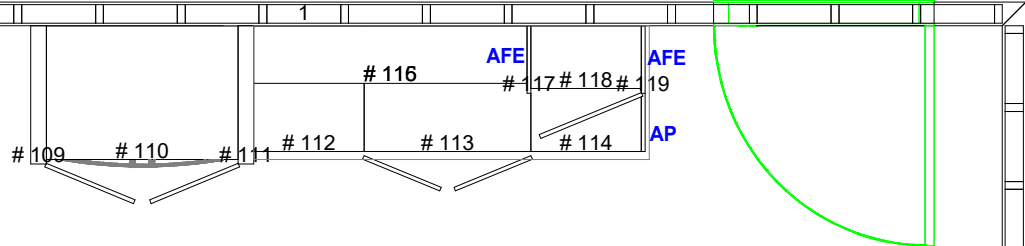
Room#8 8 Down Powder

Contact: Tess 970-837-6450

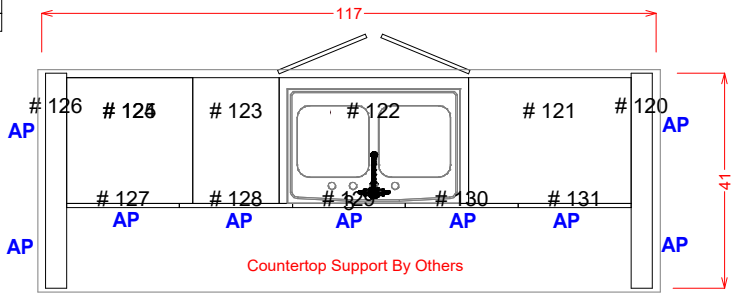
02/17/25



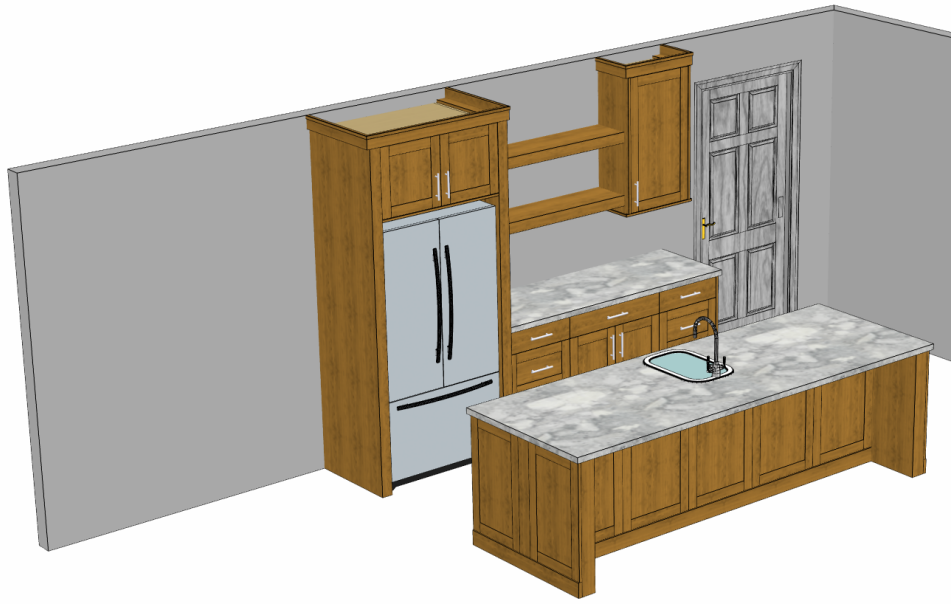
Selections	
9 Down Wet Bar	
Exterior:	Hickory Rustic
Exterior Finish:	**Spanish Pecan
Interior:	***Hardrock Melamine/BLK EB
Edge Banding Color:	BLACK
Door Style:	Durango
Drawer Front Style:	Durango 5-pc
Drawer Construction:	*5/8 Dovetail
Drawer Slides:	*Blum Soft-Close
Hardware:	128mm - AM55277-BBR (Tier 2)
Crown Molding:	*Mitered Flat With Scribe



Cabinet Placement in Room TBD Onsite



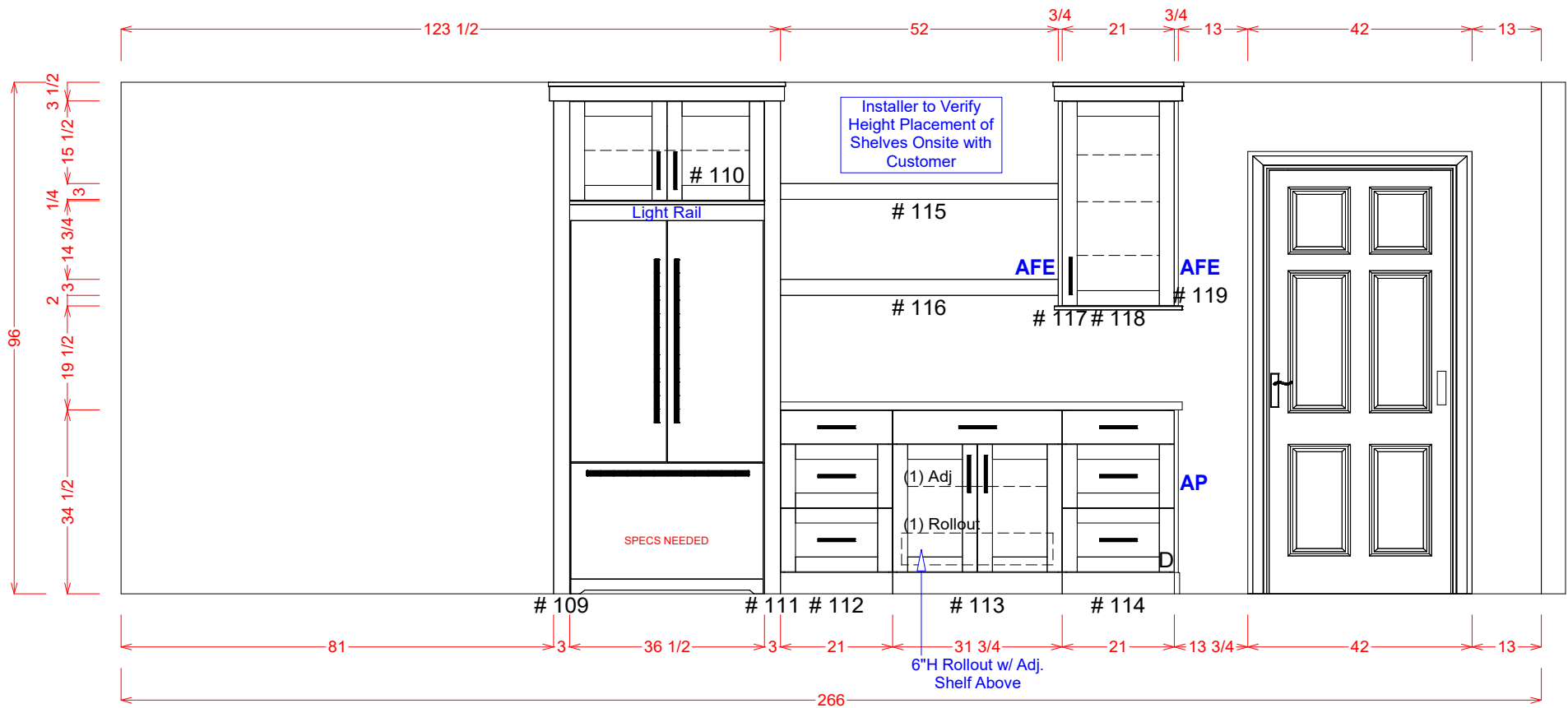
Countertop Support By Others



Fricke - 1477 Art Drive
9 Down Wet Bar Plan

Contact: Tess 970-837-6450
02/17/25

Cabinet Report				
No	Name	Width	Height	Depth
0	*Milarc interior Door	42	83	4 15/16
0	36" Counter Depth	36	70	27 1/16
109	Miter Tall F-L_F6-R	3	92 1/2	26 3/8
110	Fridge Upper	36 1/2	18 3/4	25 1/2
111	Miter Tall F-R_F6-L	3	92 1/2	26 3/8
112	3 Drawer Base	21	34 1/2	24
113	Std Base ADJ RO	31 3/4	34 1/2	24
114	3 Drawer Base	21	34 1/2	24
115	Miter Shelf	52	3	11
116	Miter Shelf	52	3	11
117	Upper Applied FE Panel	3/4	38 1/2	12 7/8
118	Standard Upper	21	38 1/2	12
119	Upper Applied FE Panel	3/4	38 1/2	12 7/8



610 Technology Circle
Windsor CO 80550

Fricke - 1477 Art Drive

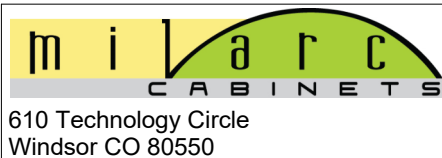
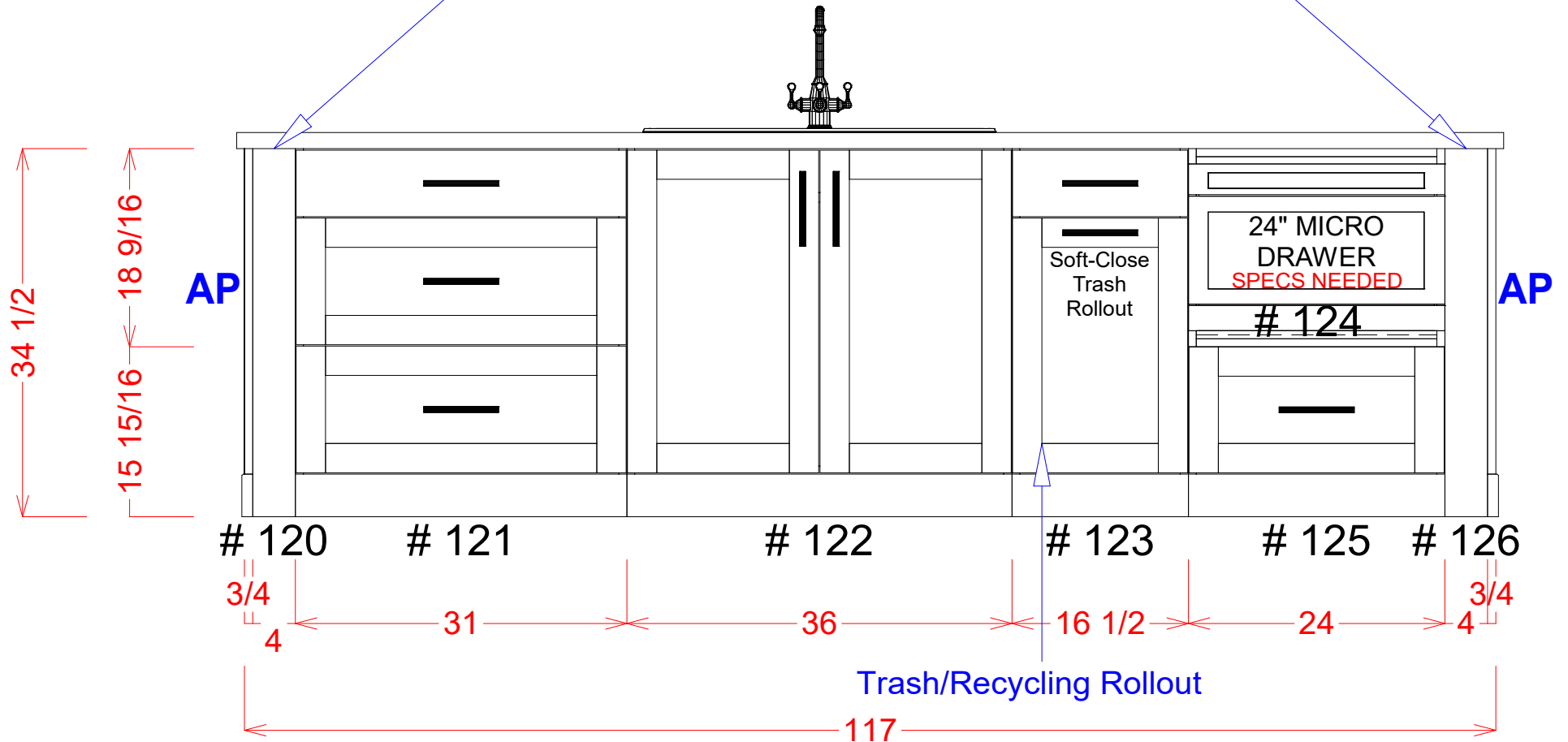
Room#9 9 Down Wet Bar

Contact: Tess 970-837-6450

02/17/25

Cabinet Report				
No	Name	Width	Height	Depth
0	Kitchen Sink	33	3/8	21 15/16
120	Miter Base F-R UF-L F-E	4	34 1/2	41
121	3 Drawer Base	31	34 1/2	24
122	Sink Base	36	34 1/2	24
123	Trash Rollout	16 1/2	34 1/2	24
124	Mirco Drawer Opening	24	18 9/16	24
125	Bottom Micro Drawer	24	15 15/16	24
126	Miter Base F-L UF-R F-E	4	34 1/2	41

Miterfold Panels are 7/8" Proud of Cabinet Box



Fricke - 1477 Art Drive

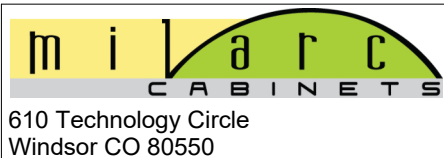
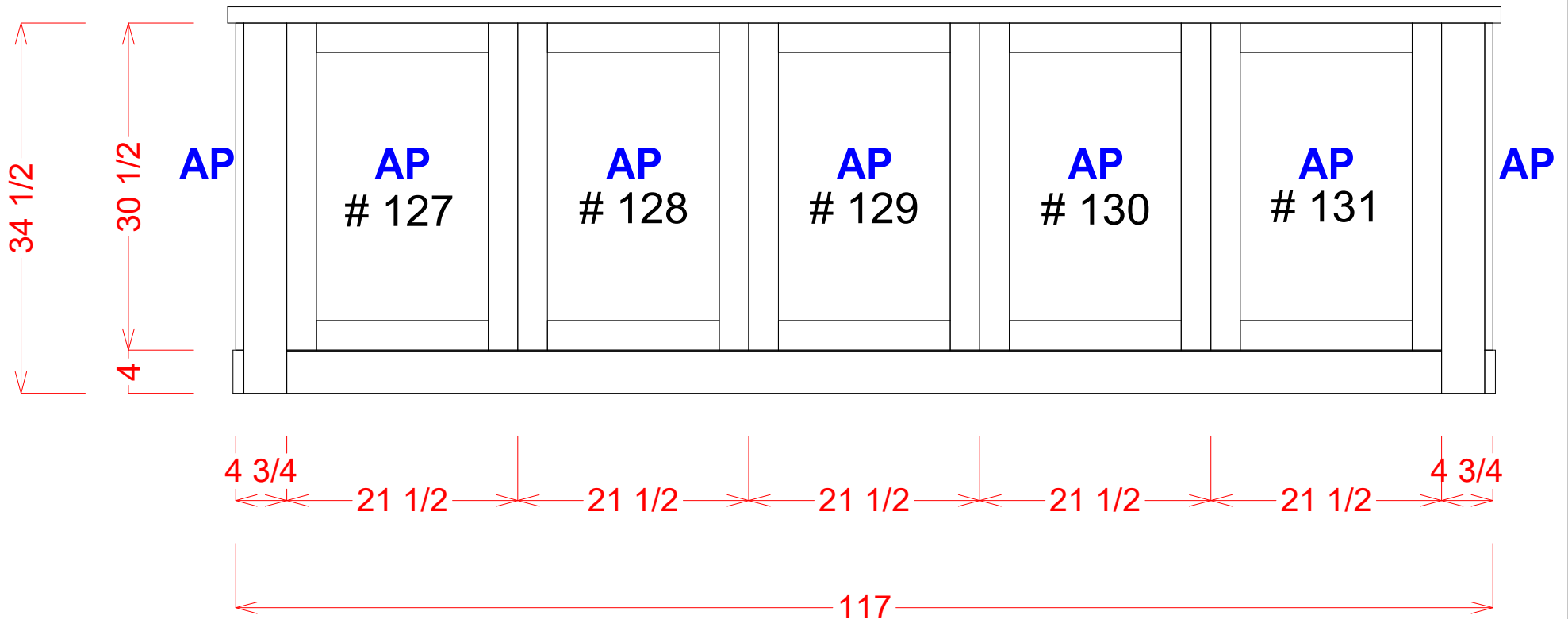
Room#9 9 Down Wet Bar

Contact: Tess 970-837-6450

02/17/25

Cabinet Report				
No	Name	Width	Height	Depth
127	Base Applied Panel	21 1/2	30 1/2	3/4
128	Base Applied Panel	21 1/2	30 1/2	3/4
129	Base Applied Panel	21 1/2	30 1/2	3/4
130	Base Applied Panel	21 1/2	30 1/2	3/4
131	Base Applied Panel	21 1/2	30 1/2	3/4

Countertop Support By Others



Fricke - 1477 Art Drive

Room#9 9 Down Wet Bar

Contact: Tess 970-837-6450

02/17/25