

Fricke - 1361 Art Drive  
1 Kitchen 3D

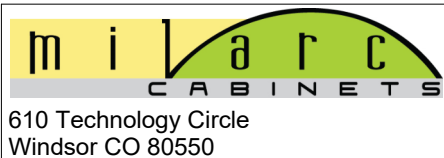
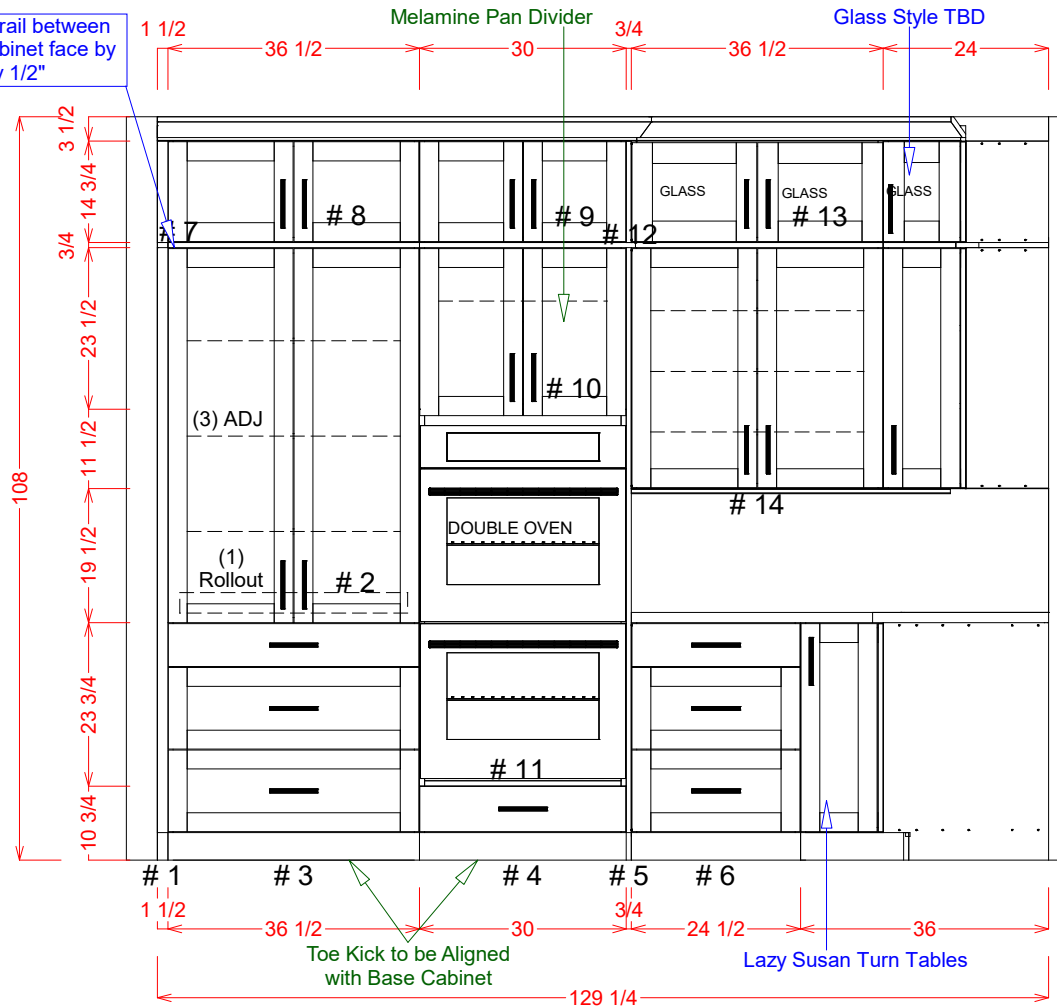
Contact: Tess 970-837-6450  
09/12/24



Cabinet Report

No	Name	Width	Height	Depth
1	Tall Filler Flush	1 1/2	89	25 1/2
2	Top Sec Pantry 92.5	36 1/2	54 1/2	25 1/2
3	Lower Sec Pantry	36 1/2	34 1/2	25 1/2
4	Bottom Oven Drawer	30	10 3/4	25 1/2
5	Tall Applied FE Panel	3/4	89	26 3/8
6	3 Drawer Base	24 1/2	34 1/2	24
7	Top Sec Filler Flush	1 1/2	14 3/4	25 1/2
8	Top Sec Upper	36 1/2	14 3/4	25 1/2
9	Top Sec Upper F-L	30	14 3/4	25 1/2
10	Oven Stack Upper	30	23 1/2	25 1/2
11	Oven Single Opening	30	54 3/4	25 1/2
12	Top Sec Applied FE Pane	3/4	14 3/4	26 3/8
13	Top Sec Upper	36 1/2	14 3/4	12
14	Standard Upper	36 1/2	35	12

3/4" x 3-1/4" Deep split rail between cabinets - overhangs cabinet face by 1-3/8" & sides by 1/2"



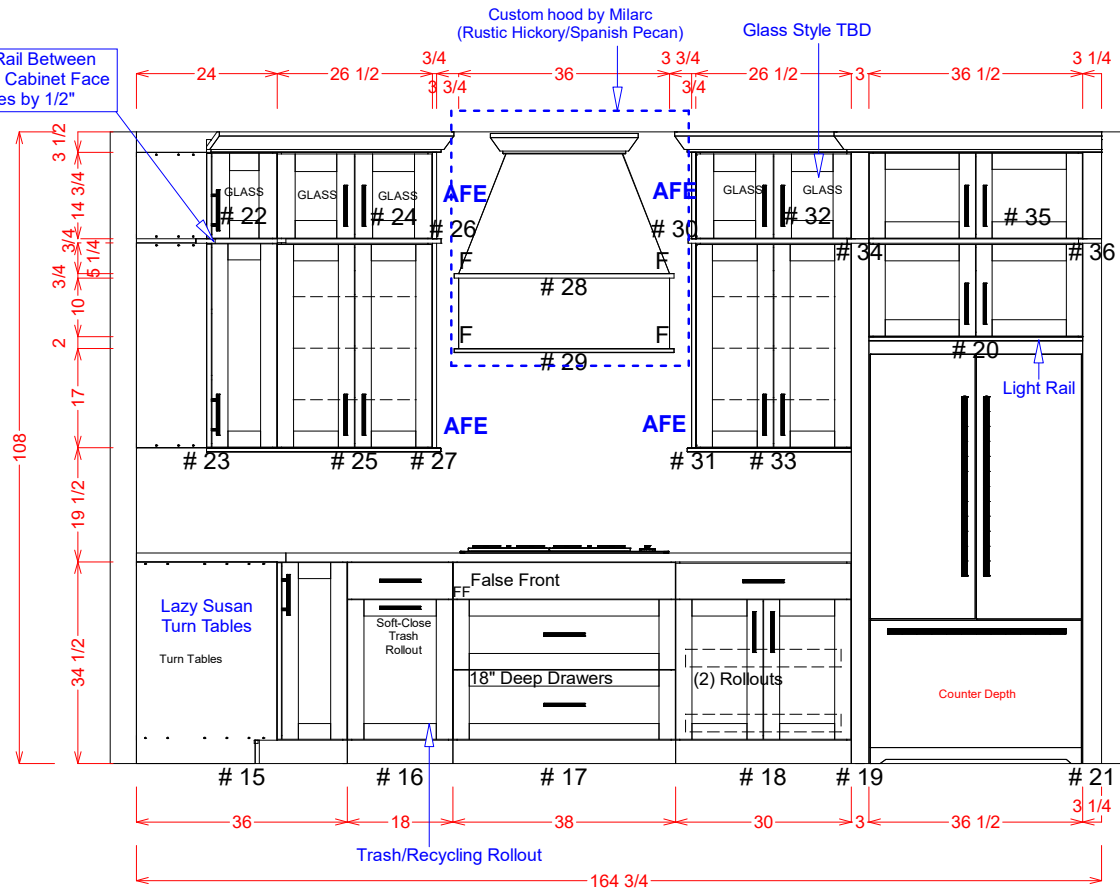
Fricke - 1361 Art Drive

Room# 1 1 Kitchen

Contact: Tess 970-837-6450

09/12/24

3/4" x 3-1/4"D Split Rail Between Cabinets - Overhangs Cabinet Face by 1-3/8" and Sides by 1/2"



### Cabinet Report

No	Name	Width	Height	Depth
0	36" Cooktop	35 1/2	1 1/4	21 1/2
0	36" Standard	36	70	32
15	90 LS Base H-R	36	34 1/2	36
16	Trash Rollout	18	34 1/2	24
17	Cooktop Base 3 Drawer	38	34 1/2	24
18	Std Base RO	30	34 1/2	24
19	Miter Tall F-L F6-R	3	89	26 3/8
20	Fridge Upper	36 1/2	16	25 1/2
21	Miter Tall F-L	3 1/4	89	26 3/8
22	12" 90 Top Sec H-R	24	14 3/4	24
23	90 LS ADJ Upper H-R	24	35	24
24	Top Sec Upper F-L	26 1/2	14 3/4	12
25	Standard Upper	26 1/2	35	12
26	Top Sec Applied FE Pane	3/4	14 3/4	12 7/8
27	Upper Applied FE Panel	3/4	35	12 7/8
28	Poudre Top 36"	36	20 3/4	22 3/8
29	Poudre Bottom 36"	36	12	22 3/8
30	Top Sec Applied FE Pane	3/4	14 3/4	12 7/8
31	Upper Applied FE Panel	3/4	35	12 7/8
32	Top Sec Upper F-R	26 1/2	14 3/4	12
33	Standard Upper	26 1/2	35	12
34	Miter Base F-L F6-R	3	14 3/4	26 3/8
35	Top Sec Upper	36 1/2	14 3/4	25 1/2
36	Miter Base F-L	3 1/4	14 3/4	26 3/8



610 Technology Circle  
Windsor CO 80550

Fricke - 1361 Art Drive

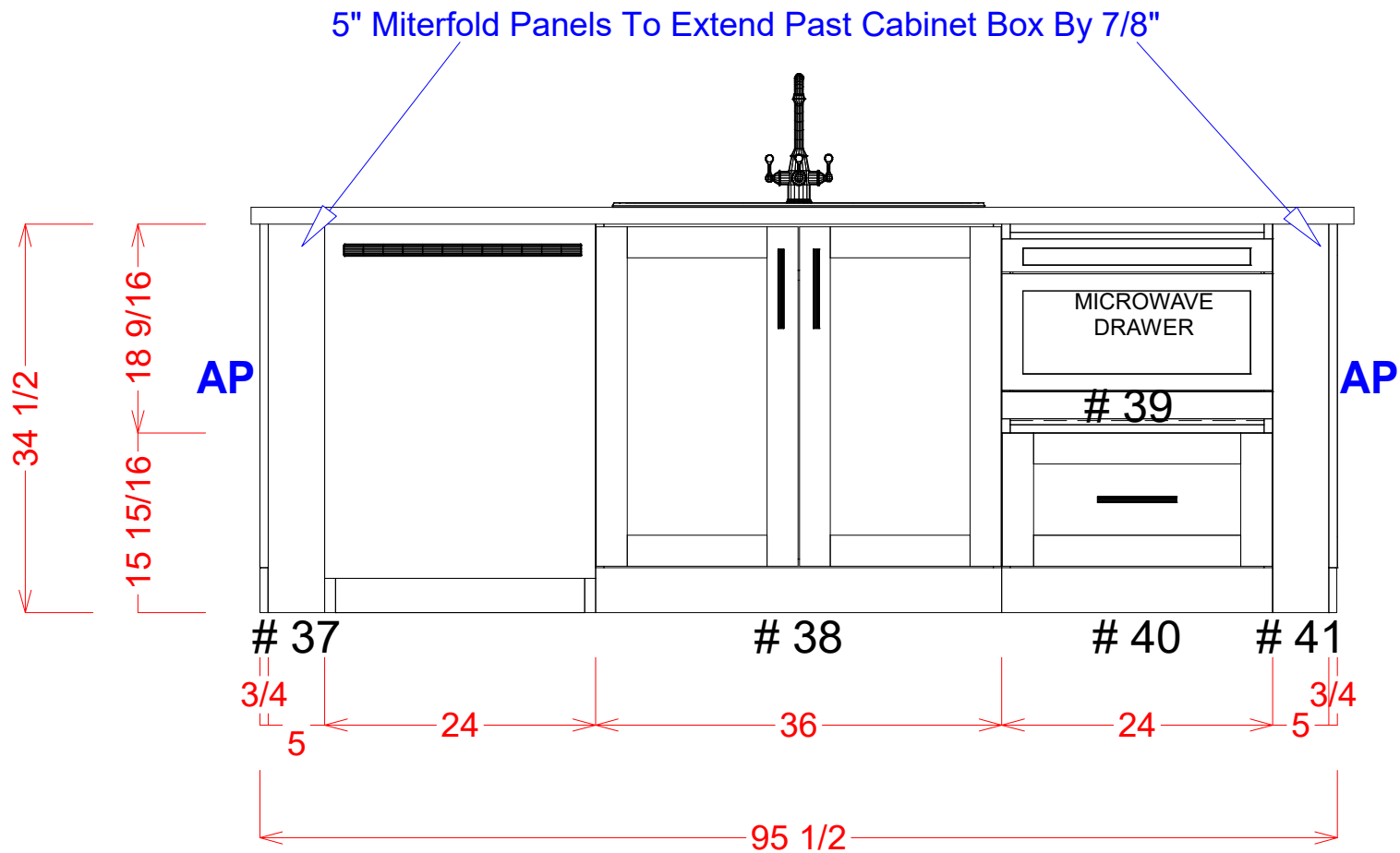
Room# 1 1 Kitchen

Contact: Tess 970-837-6450

09/12/24

Cabinet Report				
No	Name	Width	Height	Depth
0	Kitchen Sink	33	3/8	21 15/16
0	Dishwasher	24	34 1/2	24
37	Miter Base AP-L F6-R	5	34 1/2	24 7/8
38	Sink Base	36	34 1/2	24
39	Mirco Drawer Opening	24	18 9/16	24
40	Bottom Micro Drawer	24	15 15/16	24
41	Miter Base AP-R F6-L	5	34 1/2	24 7/8

### Island Rustic Hickory Spanish Pecan



610 Technology Circle  
Windsor CO 80550

Fricke - 1361 Art Drive

Room# 1 1 Kitchen

Contact: Tess 970-837-6450

09/12/24

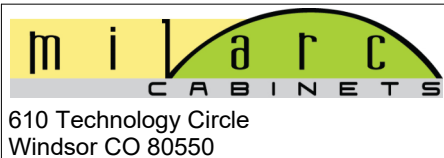
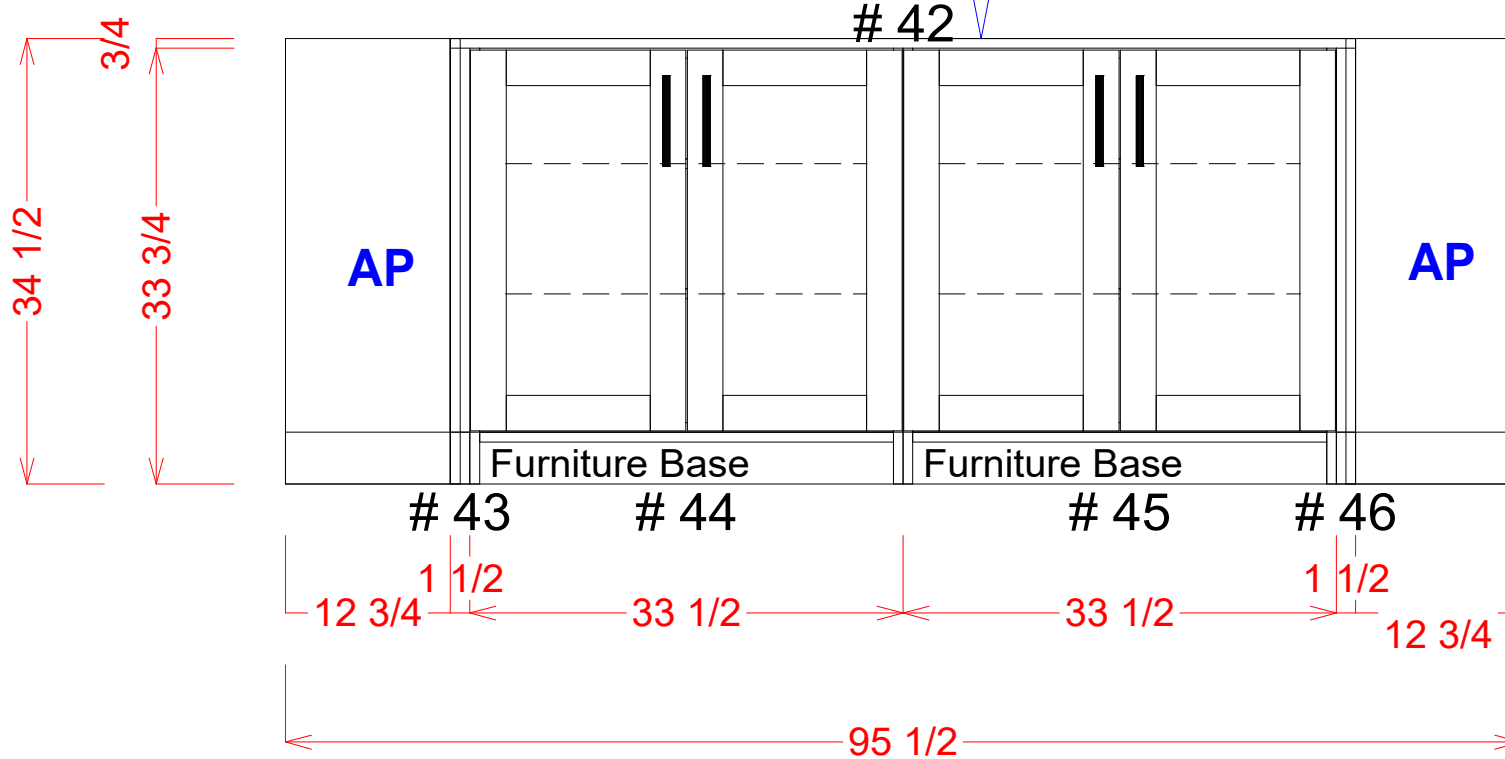
Cabinet Report				
No	Name	Width	Height	Depth
42	3/4 Applied Top 6D	70	3/4	6
43	FT_Base Filler Flush	1 1/2	33 3/4	15
44	FB_Door ADJ	33 1/2	33 3/4	15
45	FB_Door ADJ	33 1/2	33 3/4	15
46	FT_Base Filler Flush	1 1/2	33 3/4	15

Island Rustic Hickory Spanish Pecan

BACK OF ISLAND

ADDITIONAL COUNTERTOP SUPPORT BY OTHER

Strap Top is 7/8" Proud of Cabinet Box



Fricke - 1361 Art Drive

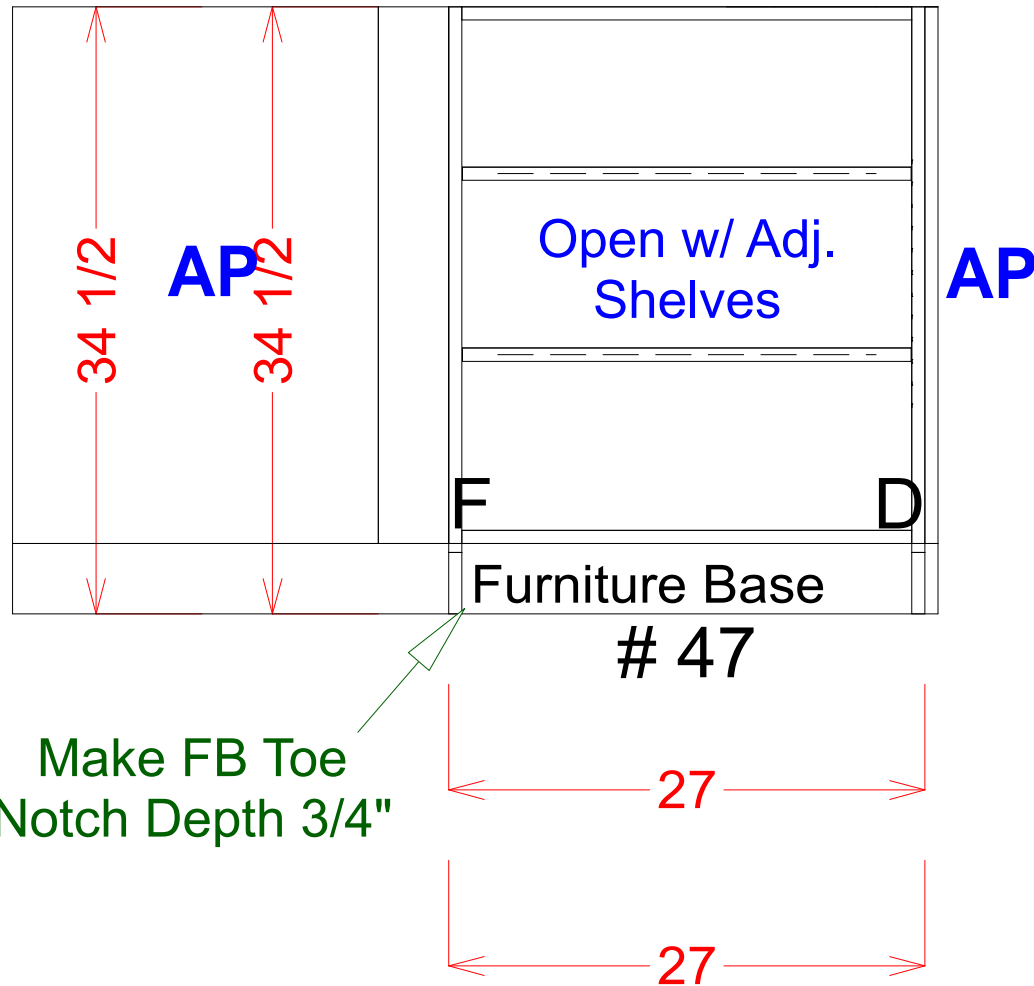
Room# 1 1 Kitchen

Contact: Tess 970-837-6450

09/12/24

# SIDE OF ISLAND FACING FRIDGE WALL

Cabinet Report				
No	Name	Width	Height	Depth
47	FB Open Base FB Notch	27	34 1/2	12 3/4



610 Technology Circle  
Windsor CO 80550

Fricke - 1361 Art Drive

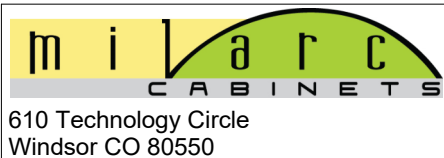
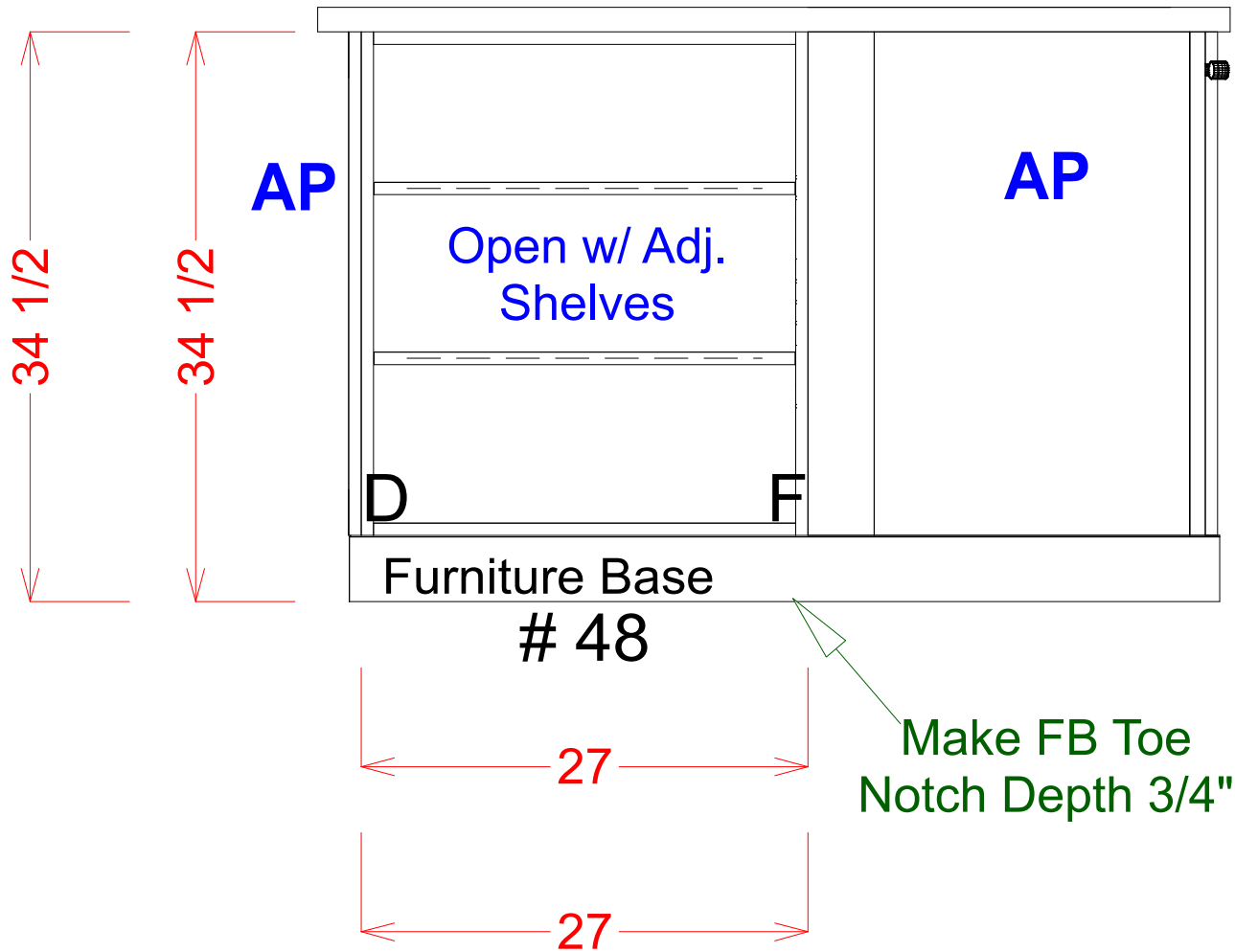
Room# 1 1 Kitchen

Contact: Tess 970-837-6450

09/12/24

Cabinet Report				
No	Name	Width	Height	Depth
48	FB Open Base FB Notch	27	34 1/2	12 3/4

## SIDE OF ISLAND FACING AWAY FROM KITCHEN



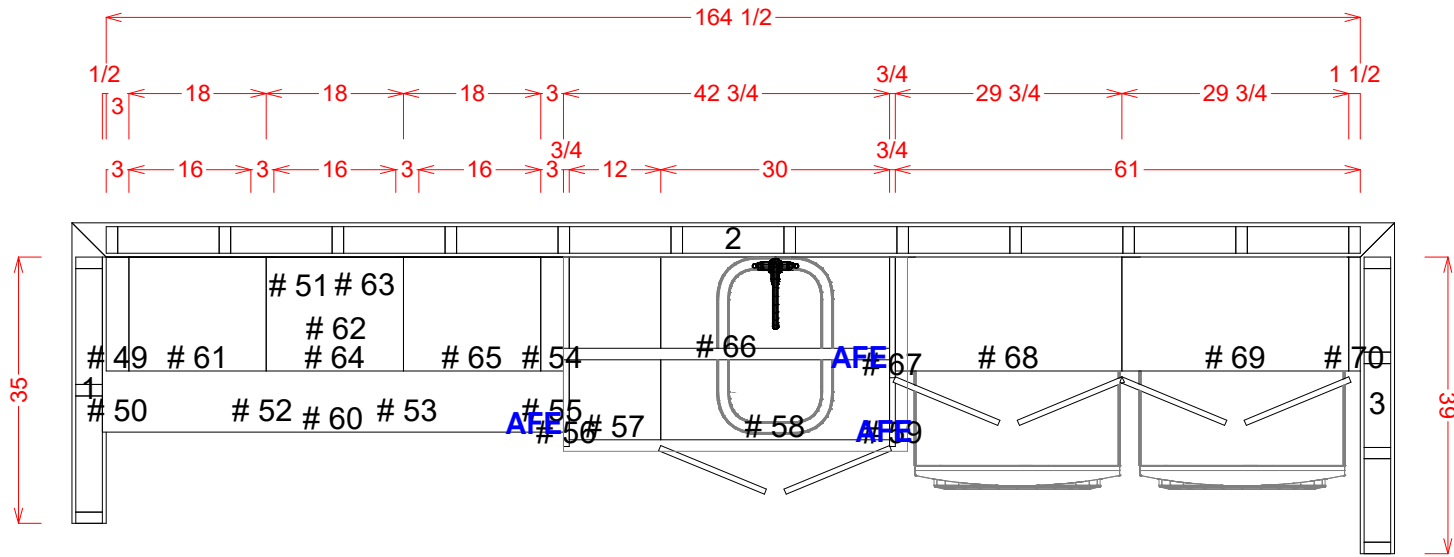
Fricke - 1361 Art Drive

Room# 1 1 Kitchen

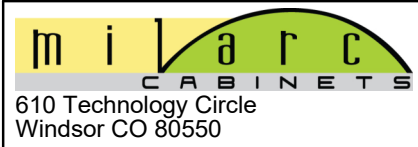
Contact: Tess 970-837-6450

09/12/24



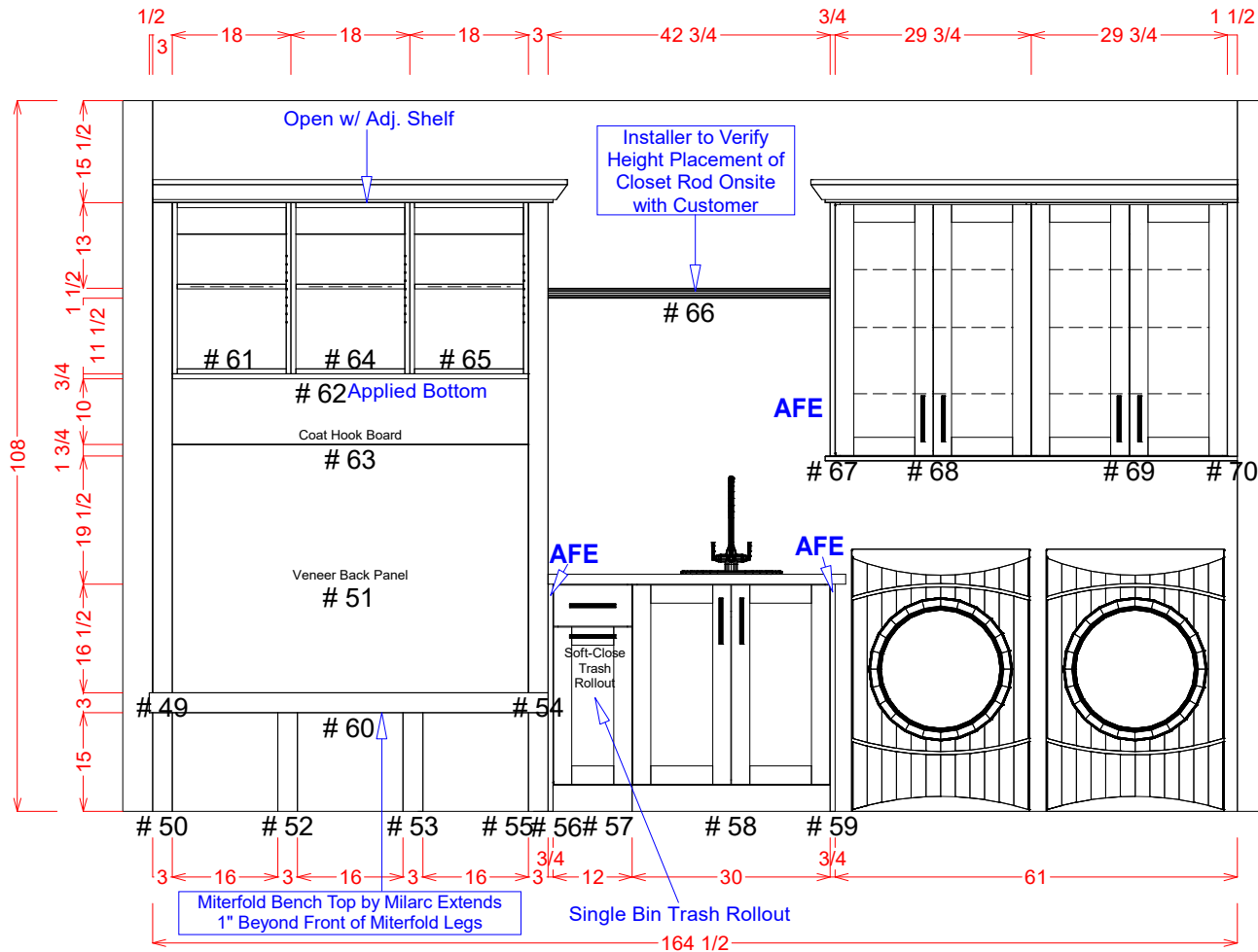


<h1>Selections</h1>	
<h2>2 Mudroom</h2>	
Exterior:	Dura Satin White
Exterior Finish:	*Satin White
Interior:	***White Melamine/WHT EB
Door Style:	Princeton
Drawer Front Style:	Princeton 5-pc
Drawer Construction:	*5/8 Dovetail
Drawer Slides:	*Blum Soft-Close
Hardware:	128mm T2 - AM55277-BBR
Crown Molding:	*Angled Not To Ceiling

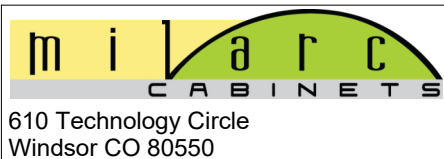


Fricke - 1361 Art Drive  
2 Mudroom Plan

Contact: Tess 970-837-6450  
09/12/24



Cabinet Report				
No	Name	Width	Height	Depth
0	RF-4	6	15	9 1/2
0	1BS-2	15 5/16	1/2	23 5/16
0	Washer	27	39 7/8	30 1/2
0	Washer	27	39 7/8	30 1/2
49	Miter Tall F-R	3	74 1/2	15
50	Miter Bench F-R	3	15	22
51	Back Panel	54	47 3/4	3/4
52	Miter Bench F-LR	3	15	22
53	Miter Bench F-LR	3	15	22
54	Miter Tall F-LR	3	74 1/2	15
55	Miter Bench F-L	3	15	22
56	T Base Applied FE Pane	3/4	34 1/2	24 7/8
57	Trash Rollout	12	34 1/2	24
58	Sink Base	30	34 1/2	24
59	T Base Applied FE Pane	3/4	34 1/2	24 7/8
60	Miter Shelf	60 1/2	3	23
61	Open ADJ Upper	18	26	15
62	Applied Bottom	54	3/4	15
63	Coat Hook Board	54	10	3/4
64	Open ADJ Upper	18	26	15
65	Open ADJ Upper	18	26	15
66	Closet Rod	42 3/4	1 1/2	1 1/2
67	Upper Applied FE Panel	3/4	38 1/2	15 7/8
68	Standard Upper	29 3/4	38 1/2	15
69	Standard Upper	29 3/4	38 1/2	15
70	Upper Filler Flush	1 1/2	38 1/2	15



Fricke - 1361 Art Drive

Room#2 2 Mudroom

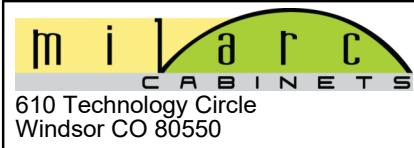
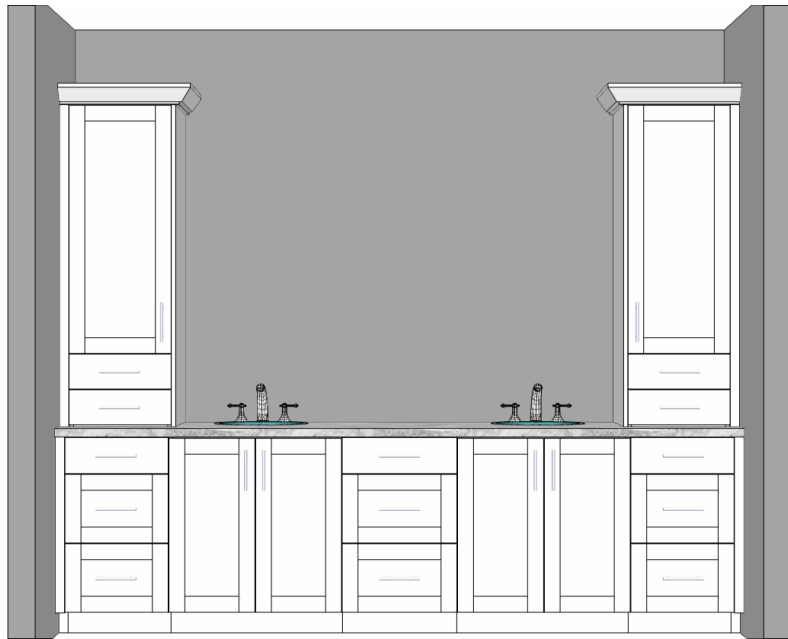
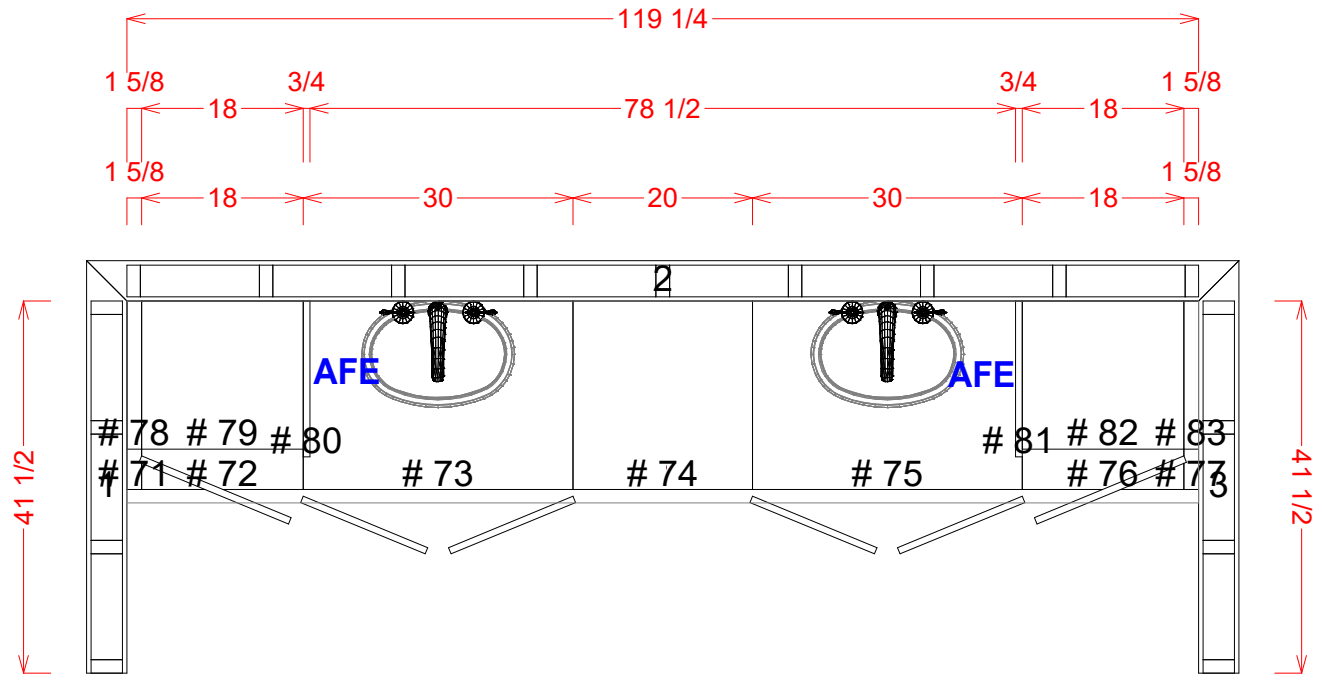
Contact: Tess 970-837-6450

09/12/24

# Selections

## 3 Master Bath

Exterior: Dura Satin White
Exterior Finish: *Satin White
Interior: ***White Melamine/WHT EB
Door Style: Princeton
Drawer Front Style: Princeton 5-pc
Drawer Construction: *5/8 Dovetail
Drawer Slides: *Blum Soft-Close
Hardware: 128mm T2 - AM55277-BBR
Crown Molding: *Angled Not To Ceiling

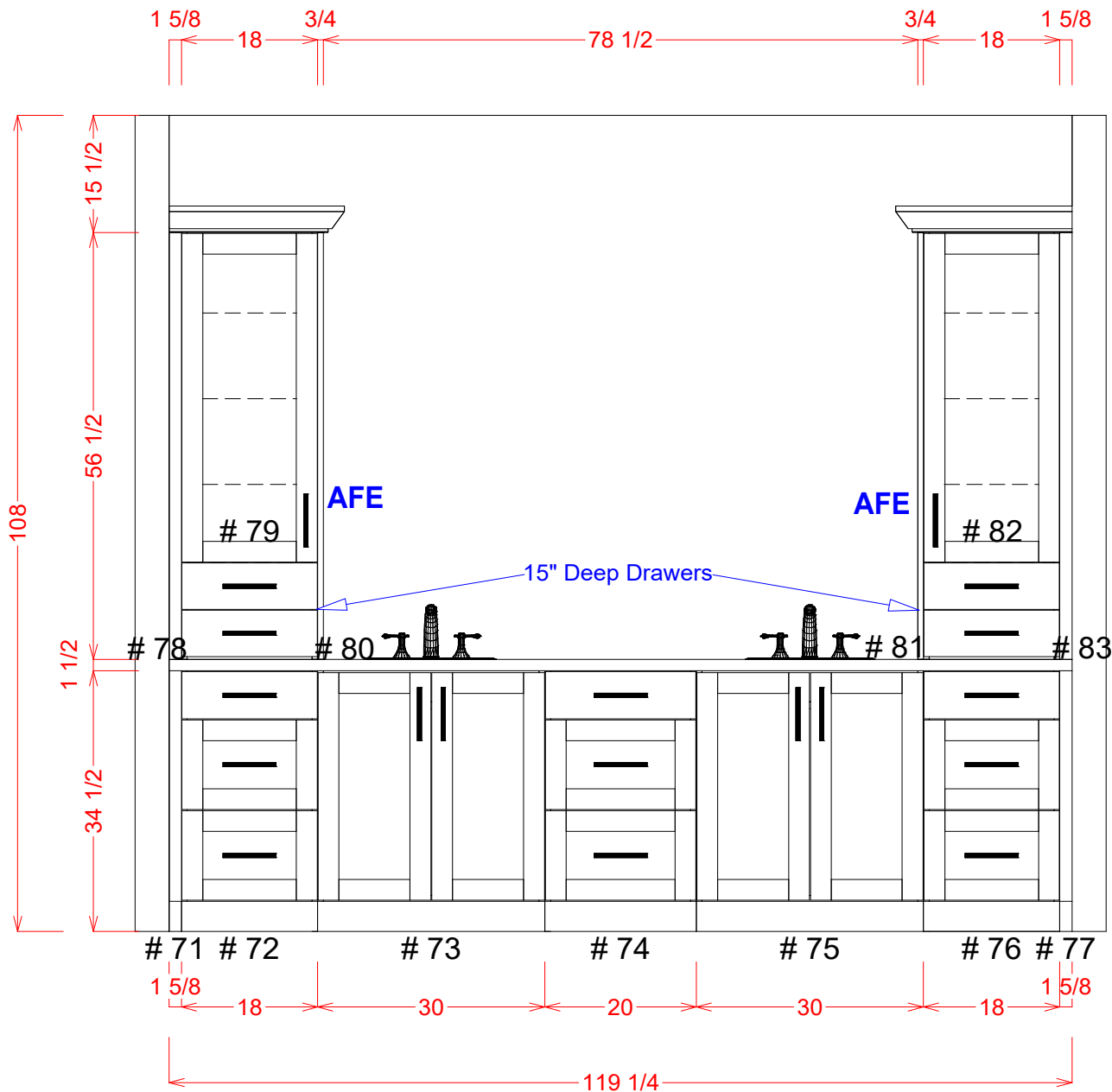


Fricke - 1361 Art Drive

3 Master Plan

Contact: Tess 970-837-6450

09/12/24



Cabinet Report				
No	Name	Width	Height	Depth
0	BF-3	13	7 1/4	9
0	Oval Sink	17	1/8	11 7/8
0	BF-3	13	7 1/4	9
0	Oval Sink	17	1/8	11 7/8
71	Base Filler Flush	1 5/8	34 1/2	21
72	3 Drawer Base	18	34 1/2	21
73	Sink Base	30	34 1/2	21
74	3 Drawer Base	20	34 1/2	21
75	Sink Base	30	34 1/2	21
76	3 Drawer Base	18	34 1/2	21
77	Base Filler Flush	1 5/8	34 1/2	21
78	Tower Filler Flush	1 5/8	56 1/2	16 1/2
79	Door/Drawer Tower	18	56 1/2	16 1/2
80	Tower Applied FE Panel	3/4	56 1/2	17 3/8
81	Tower Applied FE Panel	3/4	56 1/2	17 3/8
82	Door/Drawer Tower	18	56 1/2	16 1/2
83	Tower Filler Flush	1 5/8	56 1/2	16 1/2



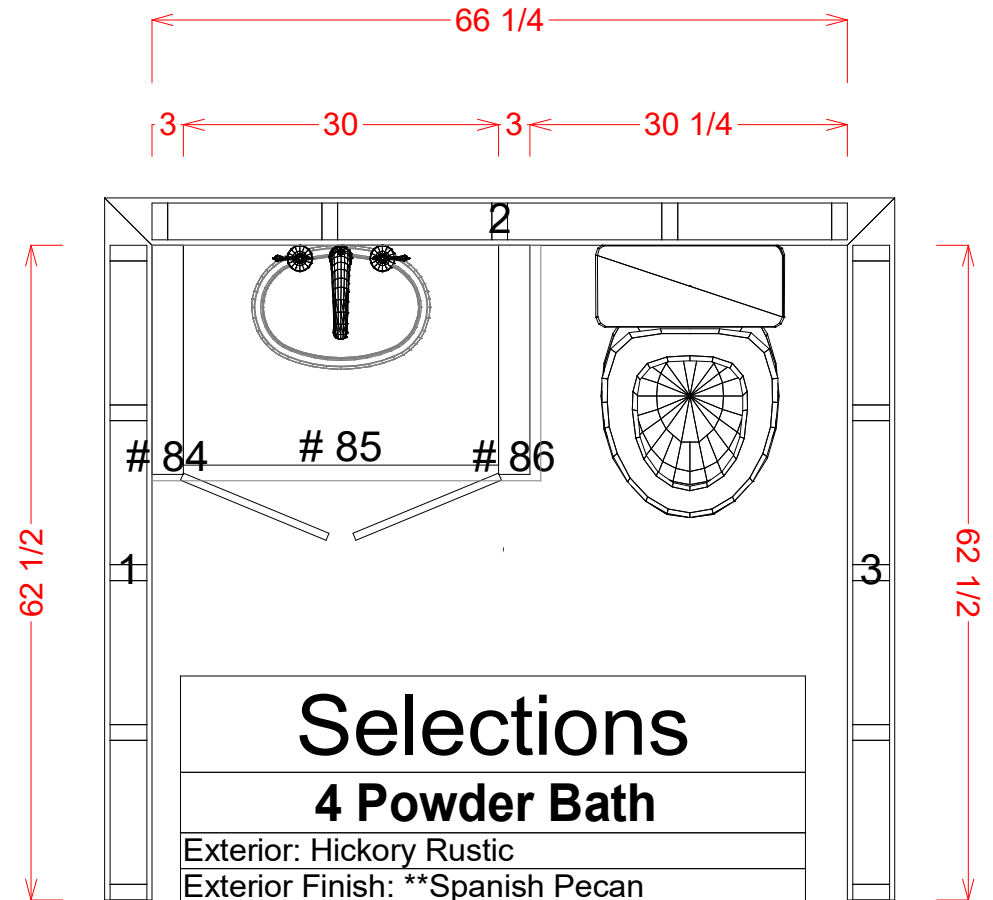
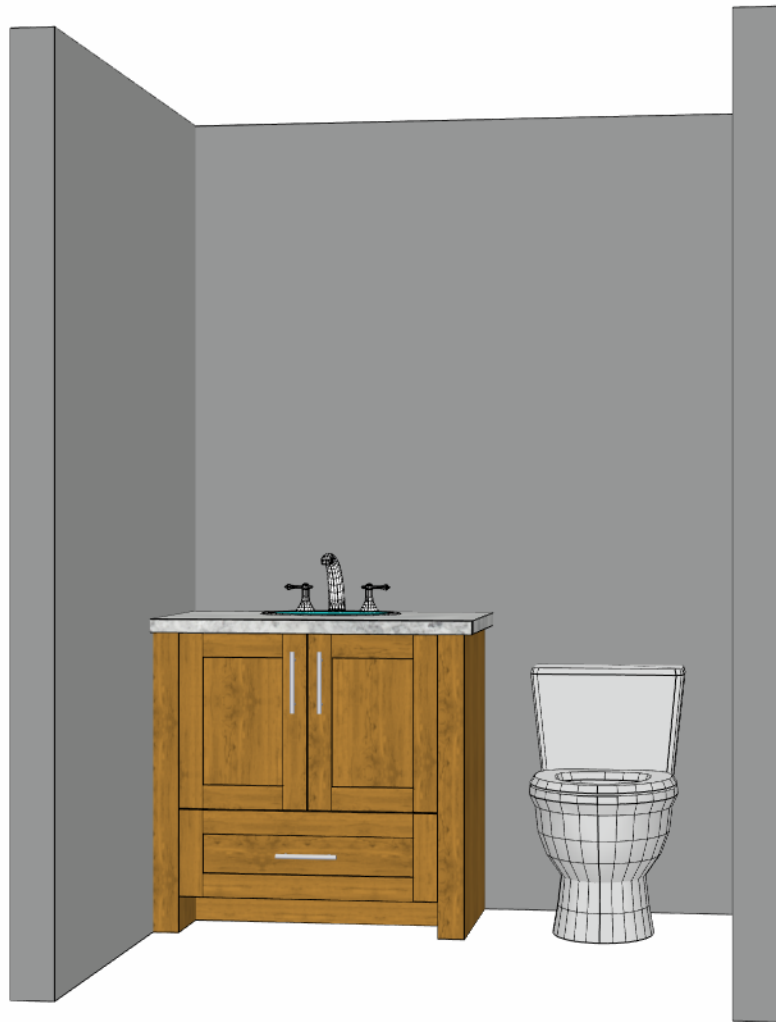
610 Technology Circle  
Windsor CO 80550

Fricke - 1361 Art Drive

Room#3 3 Master Bath

Contact: Tess 970-837-6450

09/12/24



## Selections

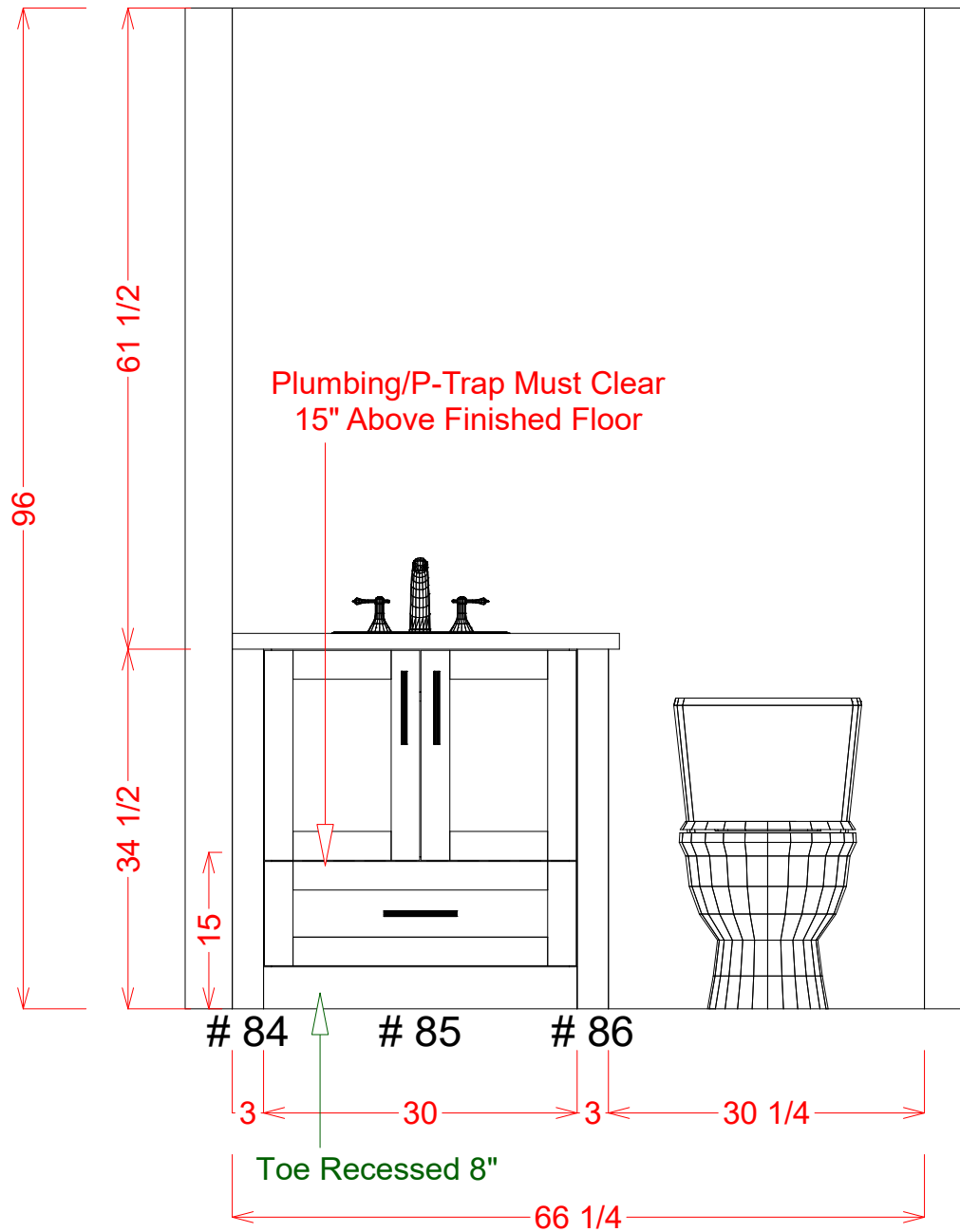
### 4 Powder Bath

Exterior: Hickory Rustic
Exterior Finish: **Spanish Pecan
Interior: ***Hardrock Melamine/BLK EB
Door Style: Artisan
Drawer Front Style: Artisan 5-pc
Drawer Construction: *5/8 Dovetail
Drawer Slides: *Blum Soft-Close
Hardware: 128mm T2 - AM55277-BBR
Crown Molding: N/A



Fricke - 1361 Art Drive  
4 Powder Plan

Contact: Tess 970-837-6450  
09/12/24



Cabinet Report				
No	Name	Width	Height	Depth
0	Toilet	18	30	26
0	BF-3	13	7 1/4	9
0	Oval Sink	17	1/8	11 7/8
84	Miter Base F-R	3	34 1/2	21 7/8
85	Sink Base 2DR 1DWR	30	34 1/2	21
86	Miter Base F-R F6-L	3	34 1/2	21 7/8



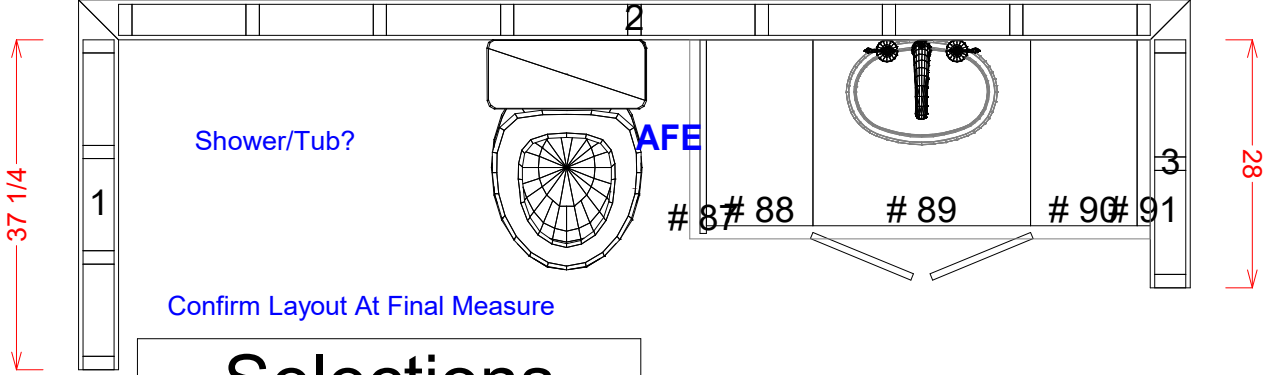
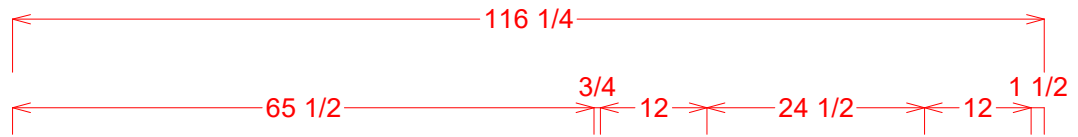
610 Technology Circle  
Windsor CO 80550

Fricke - 1361 Art Drive

Room#4 4 Powder Bath

Contact: Tess 970-837-6450

09/12/24



# Selections

## 5 Guest Bath

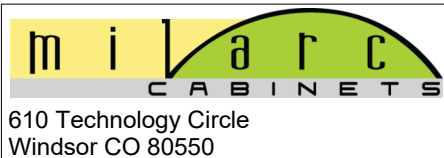
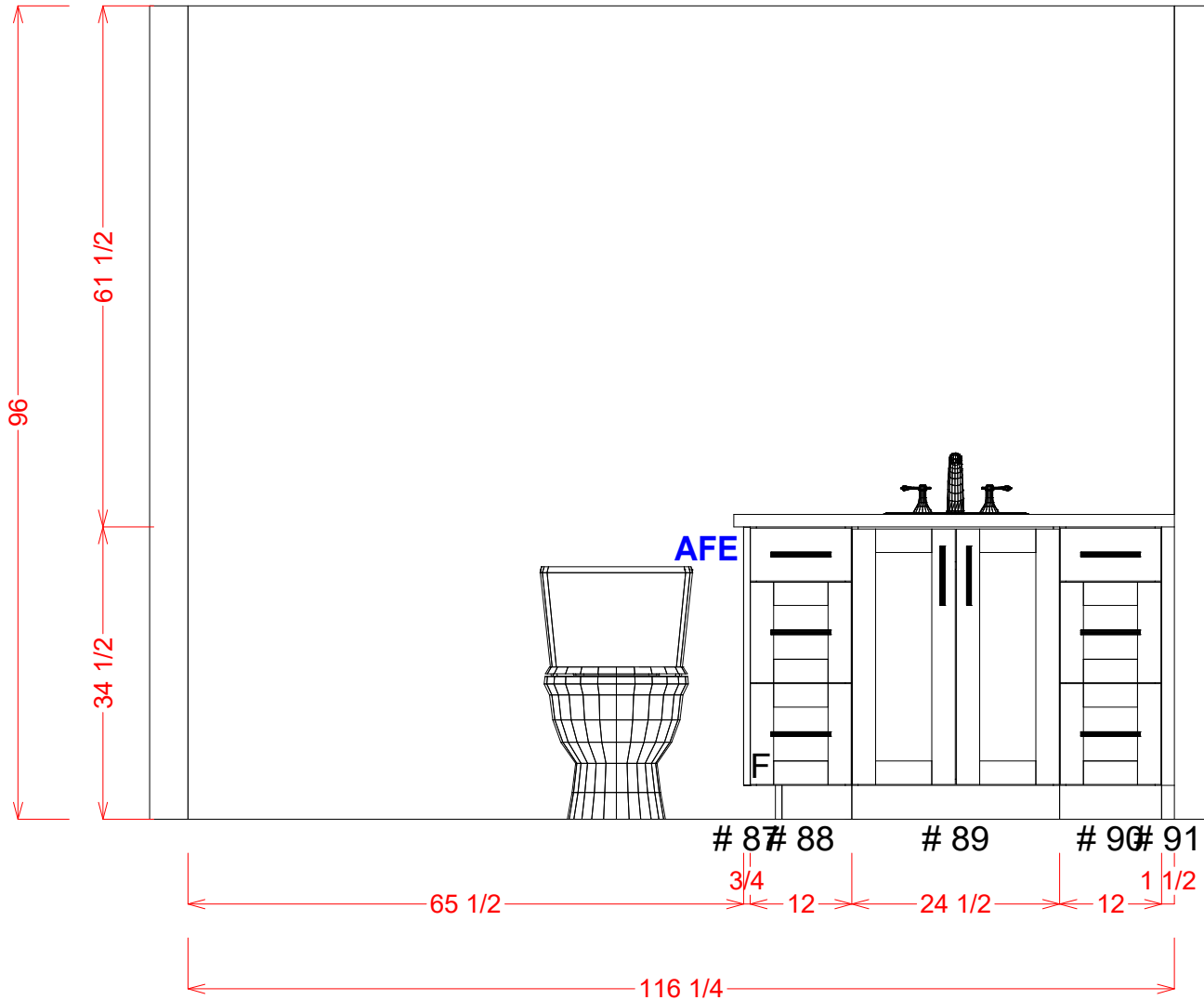
Exterior: Hickory Rustic
Exterior Finish: **Spanish Pecan
Interior: ***Hardrock Melamine/BLK EB
Door Style: Artisan
Drawer Front Style: Artisan 5-pc
Drawer Construction: *5/8 Dovetail
Drawer Slides: *Blum Soft-Close
Hardware: 128mm T2 - AM55277-BBR
Crown Molding: N/A



Fricke - 1361 Art Drive  
 5 Guest Bath Plan

Contact: Tess 970-837-6450  
 09/12/24

Cabinet Report				
No	Name	Width	Height	Depth
0	BF-3	13	7 1/4	9
0	Oval Sink	17	1/8	11 7/8
0	Toilet	18	30	26
87	Base Applied FE Panel	3/4	34 1/2	21 7/8
88	3 Drawer Base	12	34 1/2	21
89	Sink Base	24 1/2	34 1/2	21
90	3 Drawer Base	12	34 1/2	21
91	Base Filler Flush	1 1/2	34 1/2	21



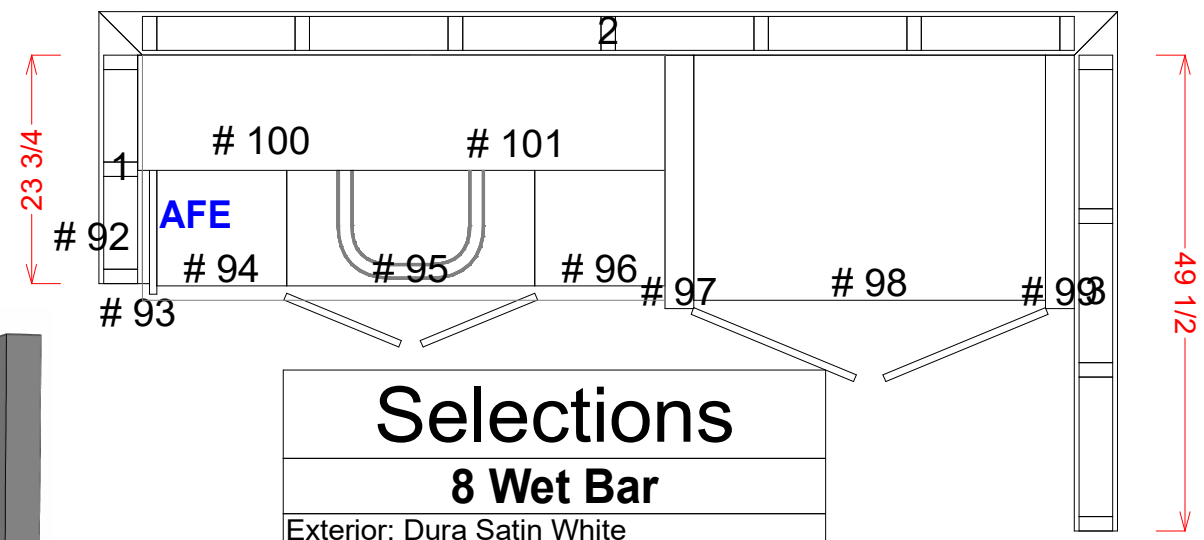
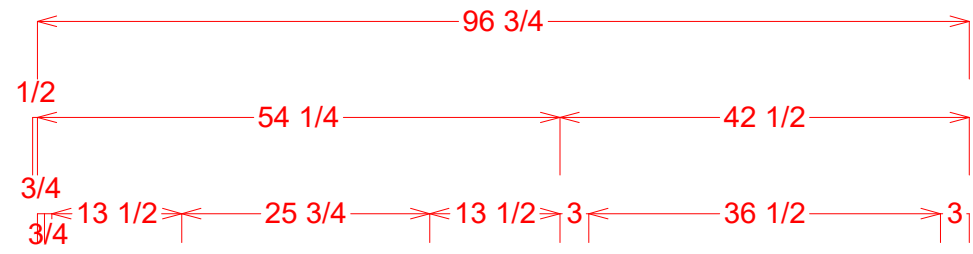
Fricke - 1361 Art Drive

Room#5 5 Guest Bath

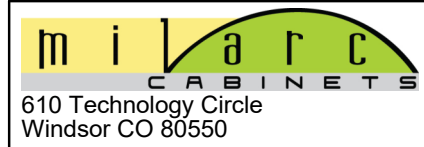
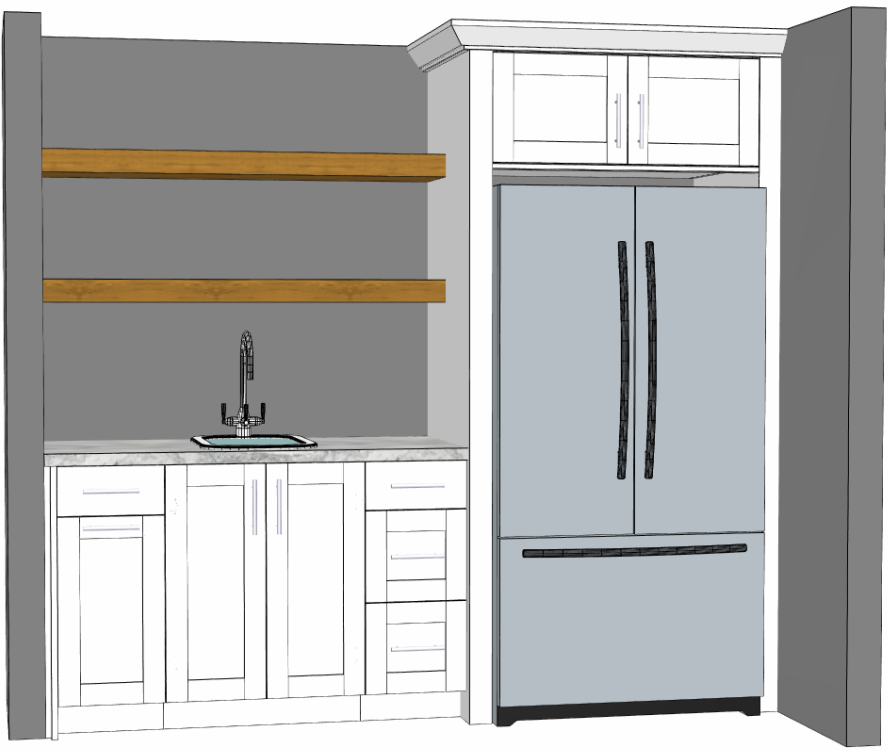
Contact: Tess 970-837-6450

09/12/24



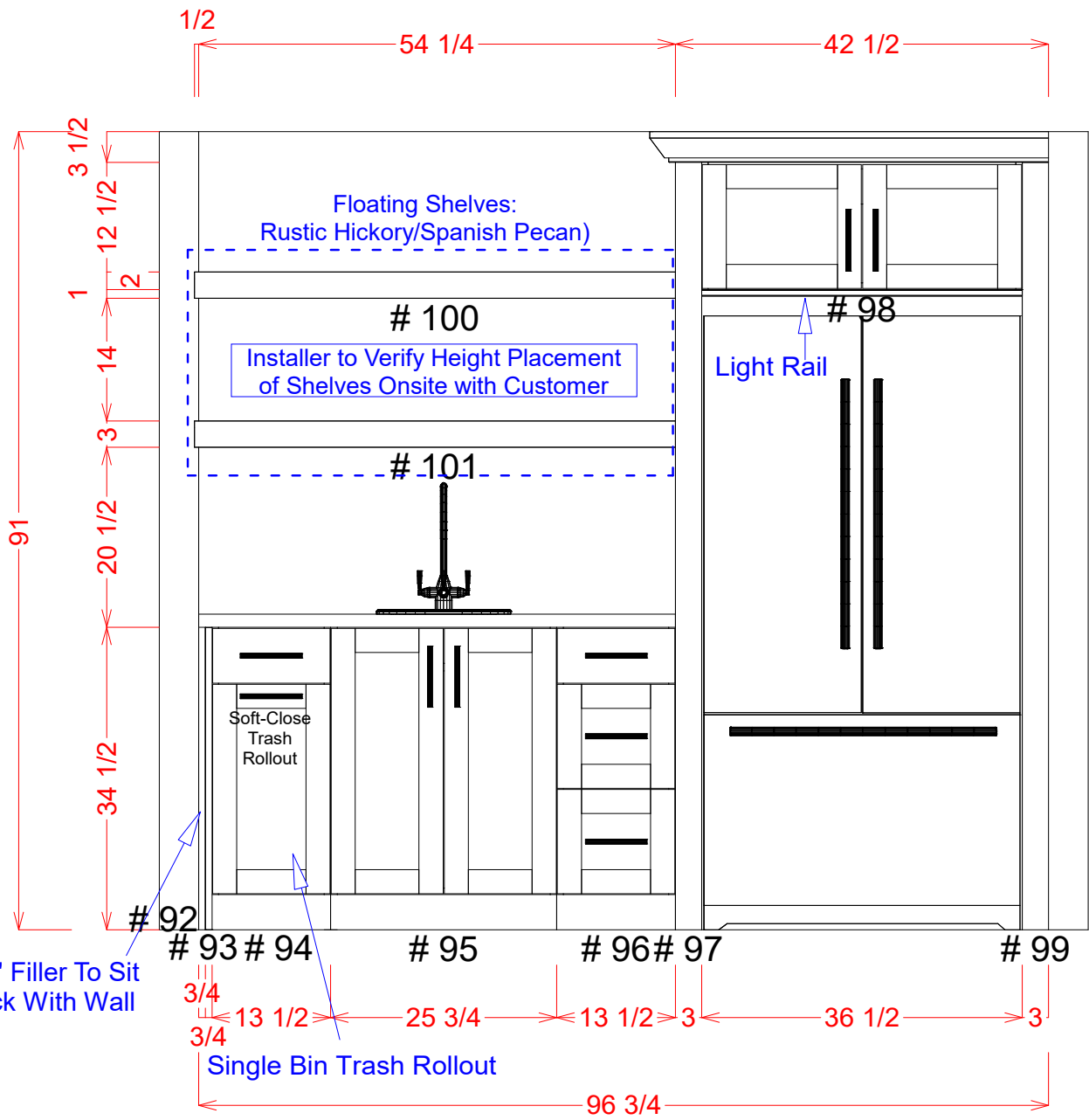


<h1>Selections</h1>	
<h2>8 Wet Bar</h2>	
Exterior:	Dura Satin White
Exterior Finish:	*Satin White
Interior:	***White Melamine/WHT EB
Door Style:	Princeton
Drawer Front Style:	Princeton 5-pc
Drawer Construction:	*5/8 Dovetail
Drawer Slides:	*Blum Soft-Close
Hardware:	128mm T2 - AM55277-BBR
Crown Molding:	*Angled To Ceiling



Fricke - 1361 Art Drive  
8 Wet Bar Plan

Contact: Tess 970-837-6450  
09/12/24

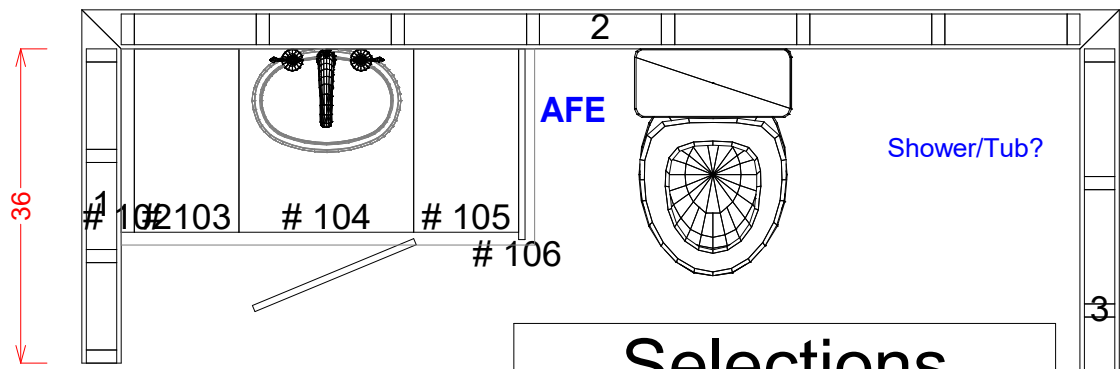
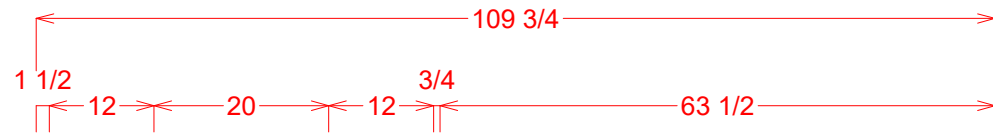


Cabinet Report				
No	Name	Width	Height	Depth
0	RF-4	6	15	9 1/2
0	1BS-2	15 5/16	1/2	23 5/16
92	ase Filler Flush No Backe	3/4	34 1/2	23 3/4
93	T Base Applied FE Pane	3/4	34 1/2	24 7/8
94	Trash Rollout	13 1/2	34 1/2	24
95	Sink Base	25 3/4	34 1/2	24
96	3 Drawer Base	13 1/2	34 1/2	24
97	Miter Tall F-L_F6-R	3	87 1/2	26 3/8
98	Fridge Upper	36 1/2	14 1/2	25 1/2
99	Miter Tall F-L	3	87 1/2	26 3/8
100	Miter Shelf	54 3/4	3	12
101	Miter Shelf	54 3/4	3	12



Fricke - 1361 Art Drive  
Room#8 8 Wet Bar

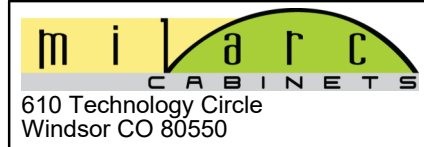
Contact: Tess 970-837-6450  
09/12/24



## Selections

### 9 Basement Bath

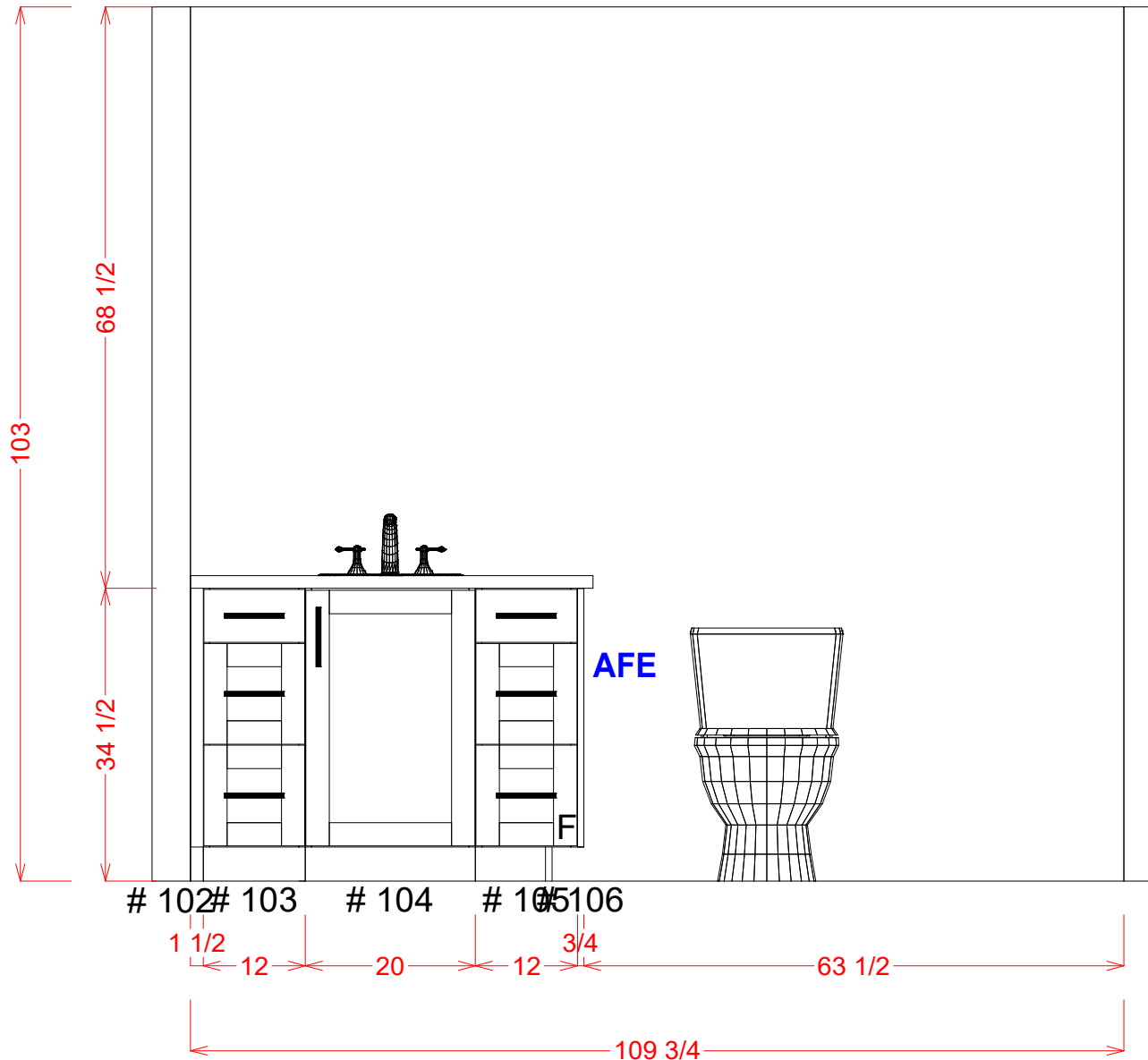
Exterior: Hickory Rustic
Exterior Finish: **Spanish Pecan
Interior: ***Hardrock Melamine/BLK EB
Door Style: Artisan
Drawer Front Style: Artisan 5-pc
Drawer Construction: *5/8 Dovetail
Drawer Slides: *Blum Soft-Close
Hardware: 128mm T2 - AM55277-BBR



Fricke - 1361 Art Drive  
 9 Basement Bath Plan

Contact: Tess 970-837-6450  
 09/12/24

Cabinet Report				
No	Name	Width	Height	Depth
0	Toilet	18	30	26
0	BF-3	13	7 1/4	9
0	Oval Sink	17	1/8	11 7/8
102	Base Filler Flush	1 1/2	34 1/2	21
103	3 Drawer Base	12	34 1/2	21
104	Sink Base	20	34 1/2	21
105	3 Drawer Base	12	34 1/2	21
106	Base Applied FE Panel	3/4	34 1/2	21 7/8



610 Technology Circle  
Windsor CO 80550

Fricke - 1361 Art Drive

Room#9 9 Basement Bath

Contact: Tess 970-837-6450

09/12/24