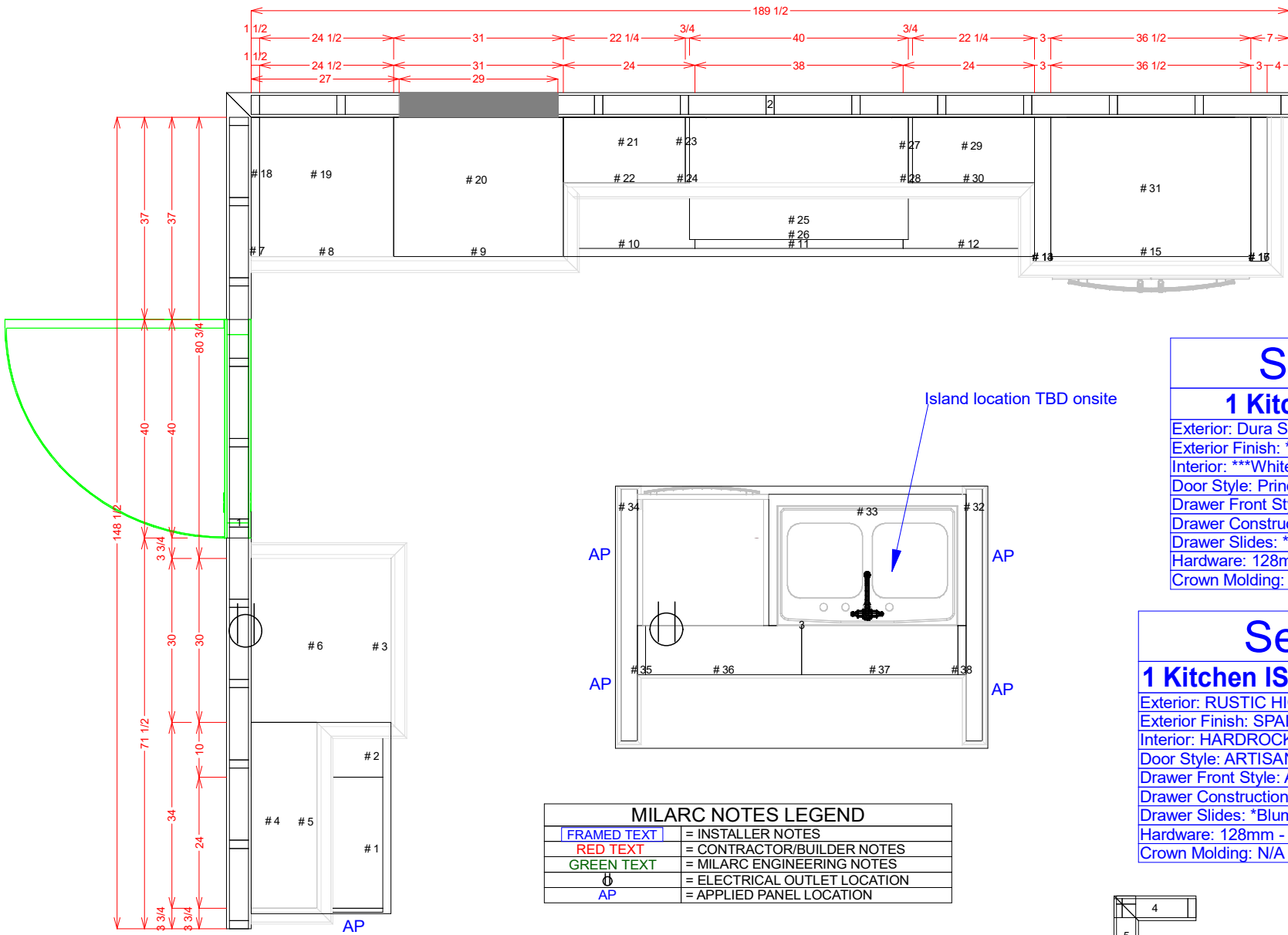




Fricke - 1337 Art Dr
1 Kitchen 3D

Contact: Brandy 970-837-1512
06/06/23



Selections

1 Kitchen PERIMETER

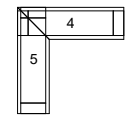
Exterior: Dura Satin White
Exterior Finish: *Satin White
Interior: ***White Melamine
Door Style: Princeton
Drawer Front Style: Princeton 5-pc
Drawer Construction: *5/8 Dovetail
Drawer Slides: *Blum Soft-Close
Hardware: 128mm - AM55277-BBR (TIER 2)
Crown Molding: *Angled To Ceiling

Selections

1 Kitchen ISALND & HOOD BAND

Exterior: RUSTIC HICKORY
Exterior Finish: SPANISH PECAN
Interior: HARDROCK MELAMINE
Door Style: ARTISAN
Drawer Front Style: ARTISAN 5-PC
Drawer Construction: *5/8 Dovetail
Drawer Slides: *Blum Soft-Close
Hardware: 128mm - AM55277-BBR (TIER 2)
Crown Molding: N/A

MILARC NOTES LEGEND	
FRAMED TEXT	= INSTALLER NOTES
RED TEXT	= CONTRACTOR/BUILDER NOTES
GREEN TEXT	= MILARC ENGINEERING NOTES
⊕	= ELECTRICAL OUTLET LOCATION
AP	= APPLIED PANEL LOCATION

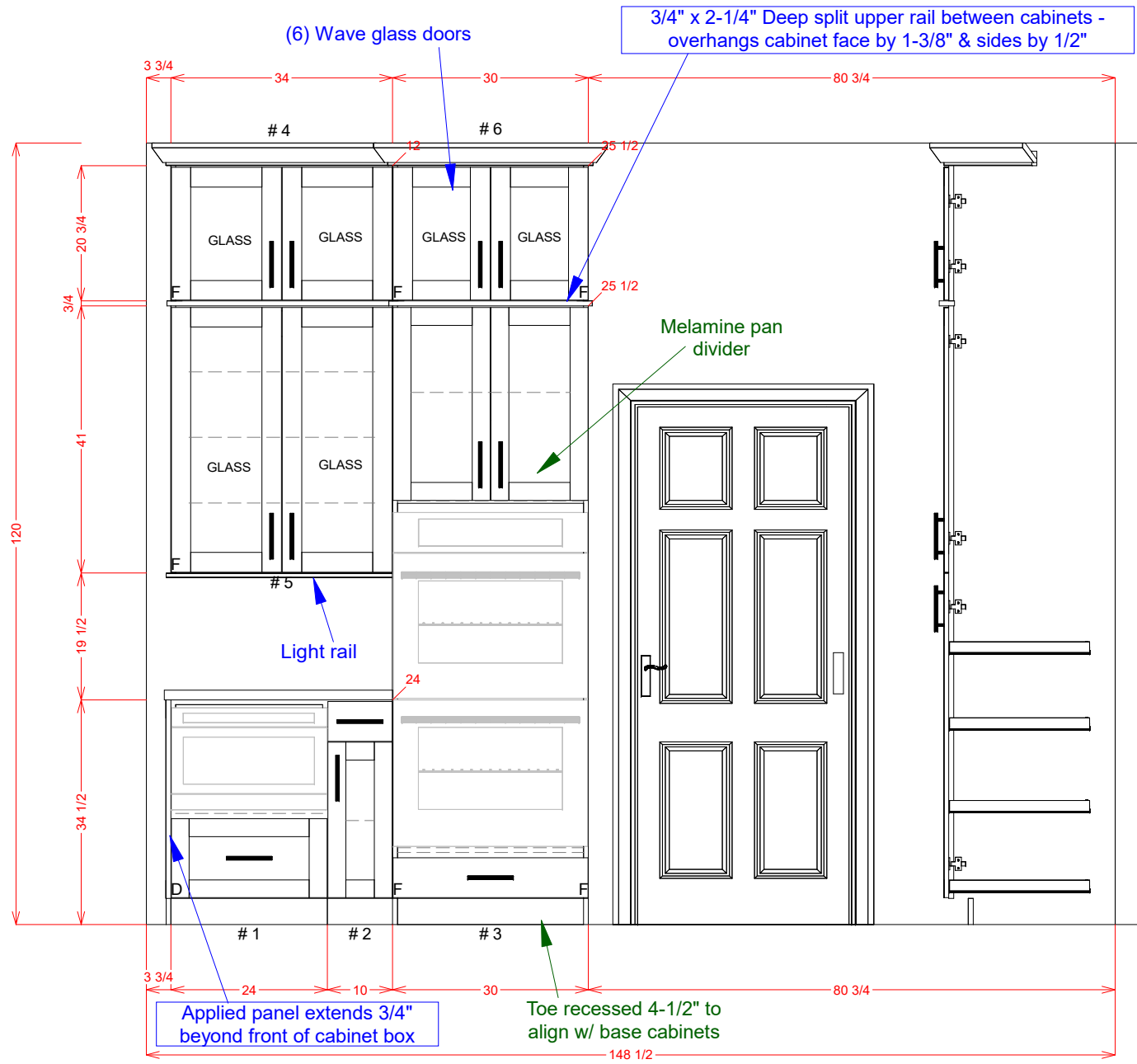


Milarc- Office Use Only	
DRAWINGS	CHECKED
BM 55272	

MILARC
CABINETS
610 Technology Circle
Windsor CO 80550

Fricke - 1337 Art Dr
1 Kitchen Plan

Contact: Brandy 970-837-1512
06/06/23

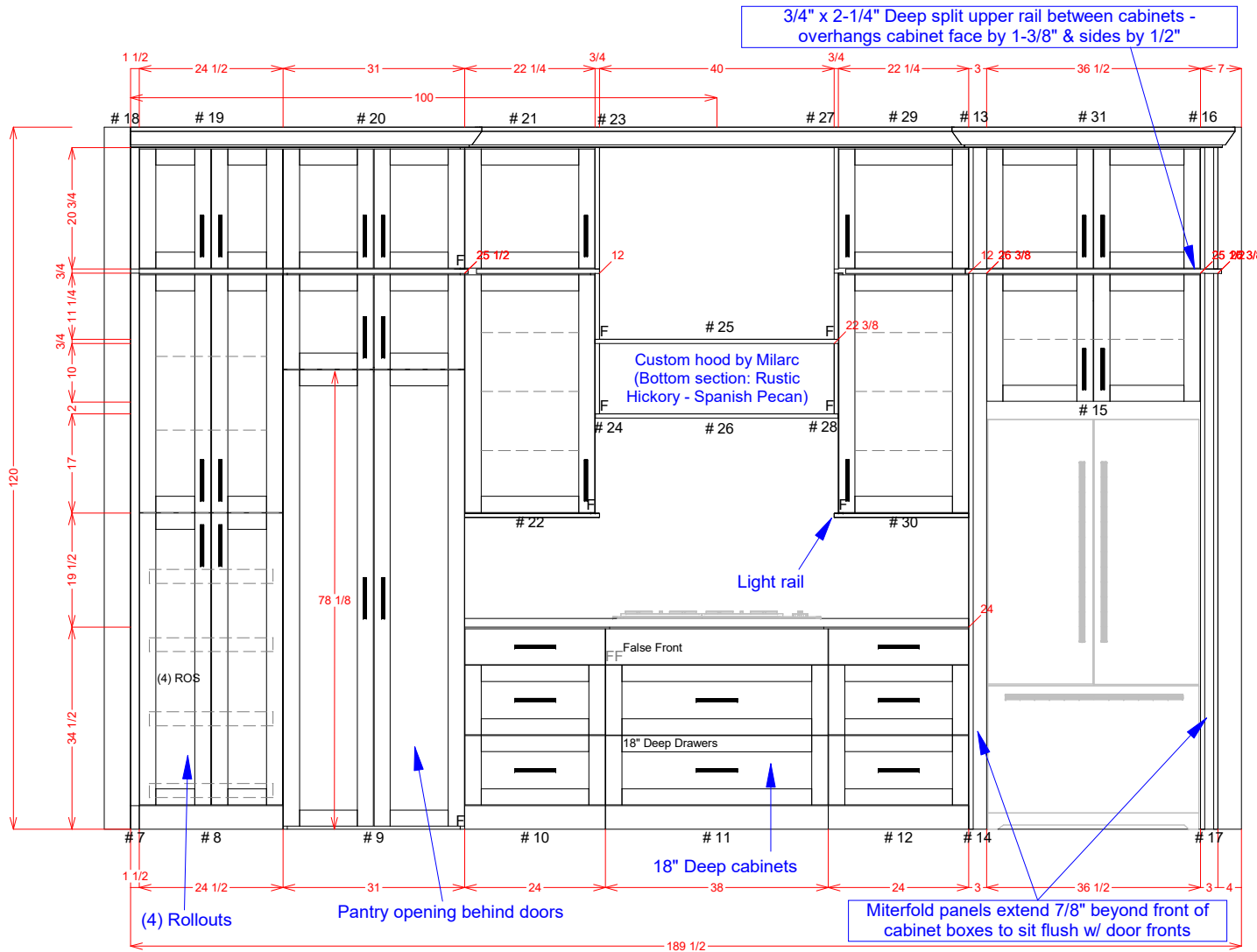


Cabinet Report				
No	Name	Width	Height	Depth
0	*Milarc interior Door	40	83	4 15/16
1	Micro Drawer Base	24	34 1/2	24
2	Std Base ADJ	10	34 1/2	24
3	Oven Double Short Dw	30	95	25 1/2
4	Top Sec Upper F-R	34	20 3/4	12
5	Standard Upper	34	41	12
6	Top Sec Upper F-LR	30	20 3/4	25 1/2

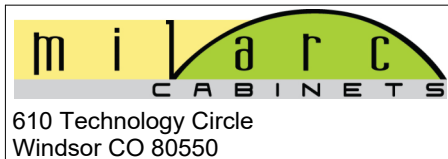


Fricke - 1337 Art Dr
 Room# 1 1 Kitchen

Contact: Brandy 970-837-1512
 06/06/23



Cabinet Report				
No	Name	Width	Height	Depth
0	36" Standard	36	70	32
0	36" Cooktop	35 1/2	1 1/4	21 1/2
10	3 Drawer Base	24	34 1/2	24
11	Cooktop Base 3 Drawer	38	34 1/2	24
12	3 Drawer Base	24	34 1/2	24
13	Miter Tall F-R F6-L	3	20 3/4	26 3/8
14	Miter Tall F-R F6-L	3	95	26 3/8
15	Fridge Upper	36 1/2	22	25 1/2
16	Miter Tall F-L F6-R	3	20 3/4	6
17	Miter Tall F-L F6-R	3	95	26 3/8
18	Top Sec Filler	1 1/2	20 3/4	25 1/2
19	Top Sec Upper	24 1/2	20 3/4	25 1/2
20	Top Sec Upper F-L	31	20 3/4	25 1/2
21	Top Sec Upper	22 1/4	20 3/4	12
22	Standard Upper	22 1/4	41	12
23	Top Sec Filler	3/4	20 3/4	12
24	Upper Filler	3/4	24	12
25	Mesa Top	40	32 3/4	22 3/8
26	36" Platte Bottom	40	12	22 3/8
27	Top Sec Filler	3/4	20 3/4	12
28	Upper Filler	3/4	24	12
29	Top Sec Upper	22 1/4	20 3/4	12
30	Standard Upper	22 1/4	41	12
31	Top Sec Upper F-LR	36 1/2	20 3/4	25 1/2
7	Tall Filler	1 1/2	95	25 1/2
8	Pantry RO	24 1/2	95	25 1/2
9	Pantry ADJ	31	95	25 1/2

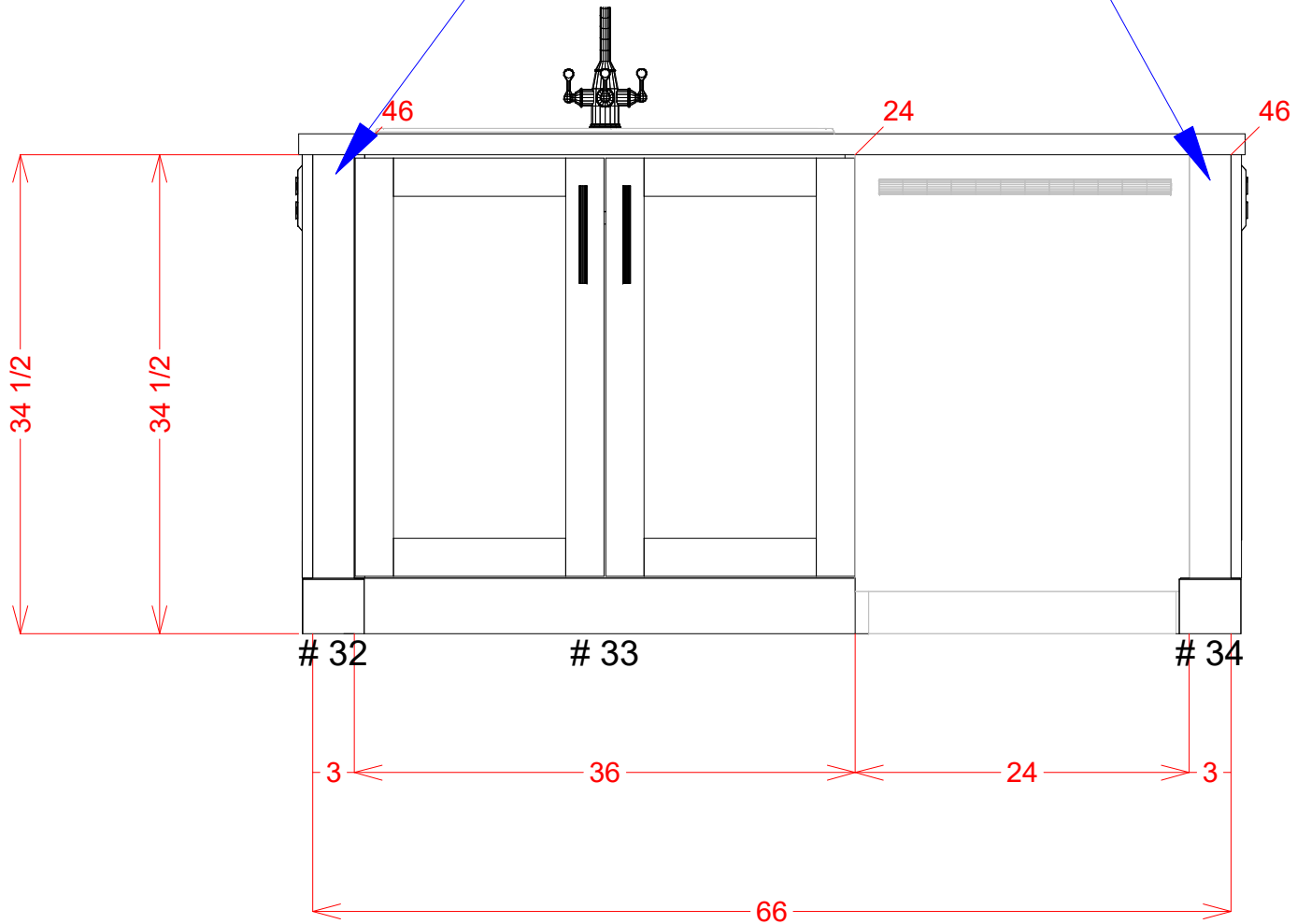


Fricke - 1337 Art Dr
Room# 1 1 Kitchen

Contact: Brandy 970-837-1512
06/06/23

Cabinet Report				
No	Name	Width	Height	Depth
0	Dishwasher	24	34 1/2	24
0	Kitchen Sink	33	3/8	21 15/16
32	EF 2AP-L F6-R_FB	3	34 1/2	46
33	Sink Base	36	34 1/2	24
34	EF 2AP-R F6-L_FB	3	34 1/2	46

Miterfold panels extend 7/8" beyond front of cabinet box



610 Technology Circle
Windsor CO 80550

Fricke - 1337 Art Dr

Room# 1 1 Kitchen

Contact: Brandy 970-837-1512

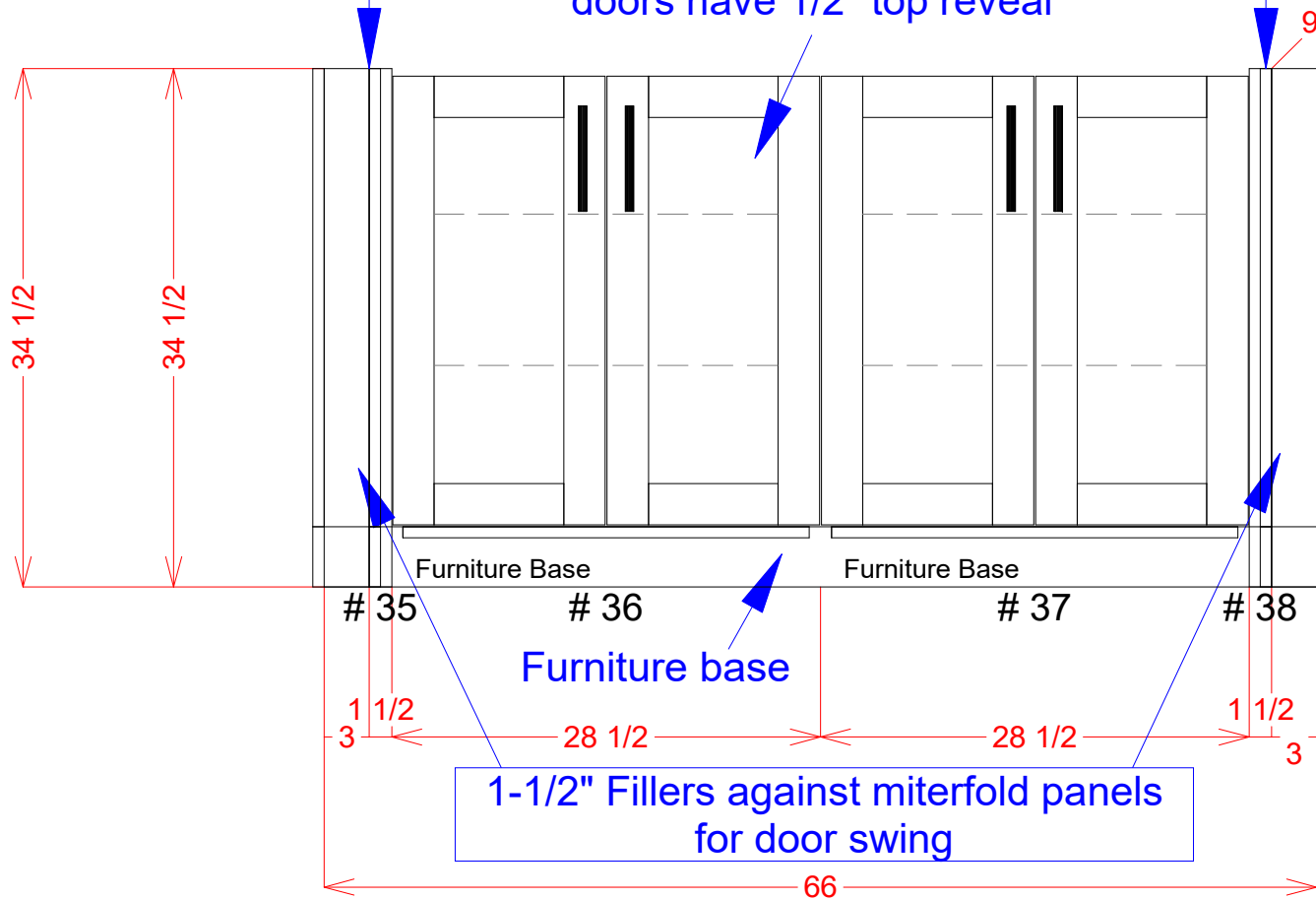
06/06/23

Cabinet Report				
No	Name	Width	Height	Depth
35	Flush Toe Filler	1 1/2	34 1/2	9
36	FB Door ADJ	28 1/2	34 1/2	9
37	FB Door ADJ	28 1/2	34 1/2	9
38	Flush Toe Filler	1 1/2	34 1/2	9

ADDITIONAL COUNTERTOP SUPPORT BY OTHER

Miterfold panels extend 12-1/8" beyond front of cabinet boxes

9" Deep cabinets under overhang - doors have 1/2" top reveal



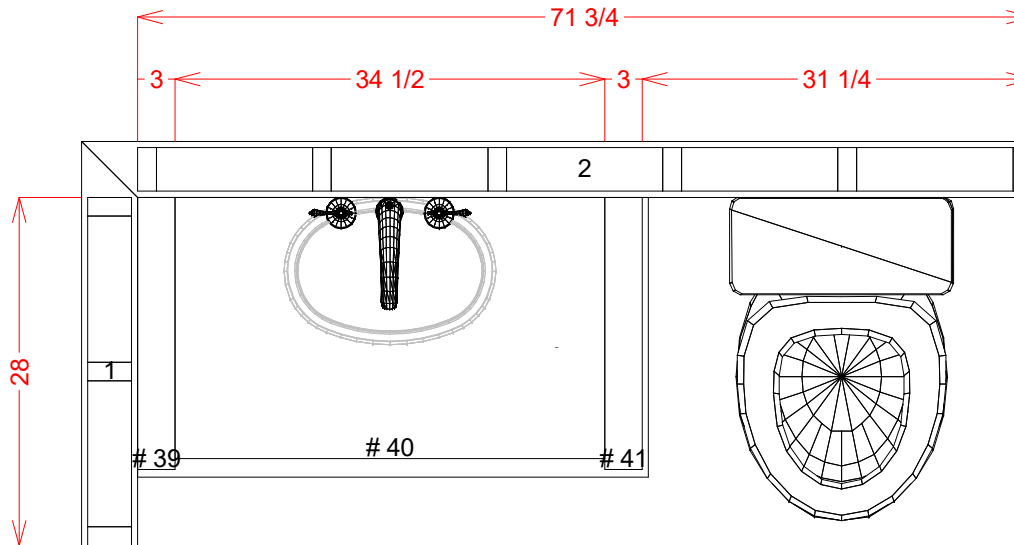
610 Technology Circle
Windsor CO 80550

Fricke - 1337 Art Dr

Room# 1 1 Kitchen

Contact: Brandy 970-837-1512

06/06/23



Selections

2 Powder

Exterior: Hickory Rustic

Exterior Finish: **Spanish Pecan

Interior: ***Hardrock Melamine

Door Style: Artisan

Drawer Front Style: Artisan 5-pc

Drawer Construction: *5/8 Dovetail

Drawer Slides: *Blum Soft-Close

Hardware: 128mm - AM55277-BBR (TIER 2)

Crown Molding: N/A

Milarc- Office Use Only

DRAWINGS	CHECKED
BM 4/13/23	

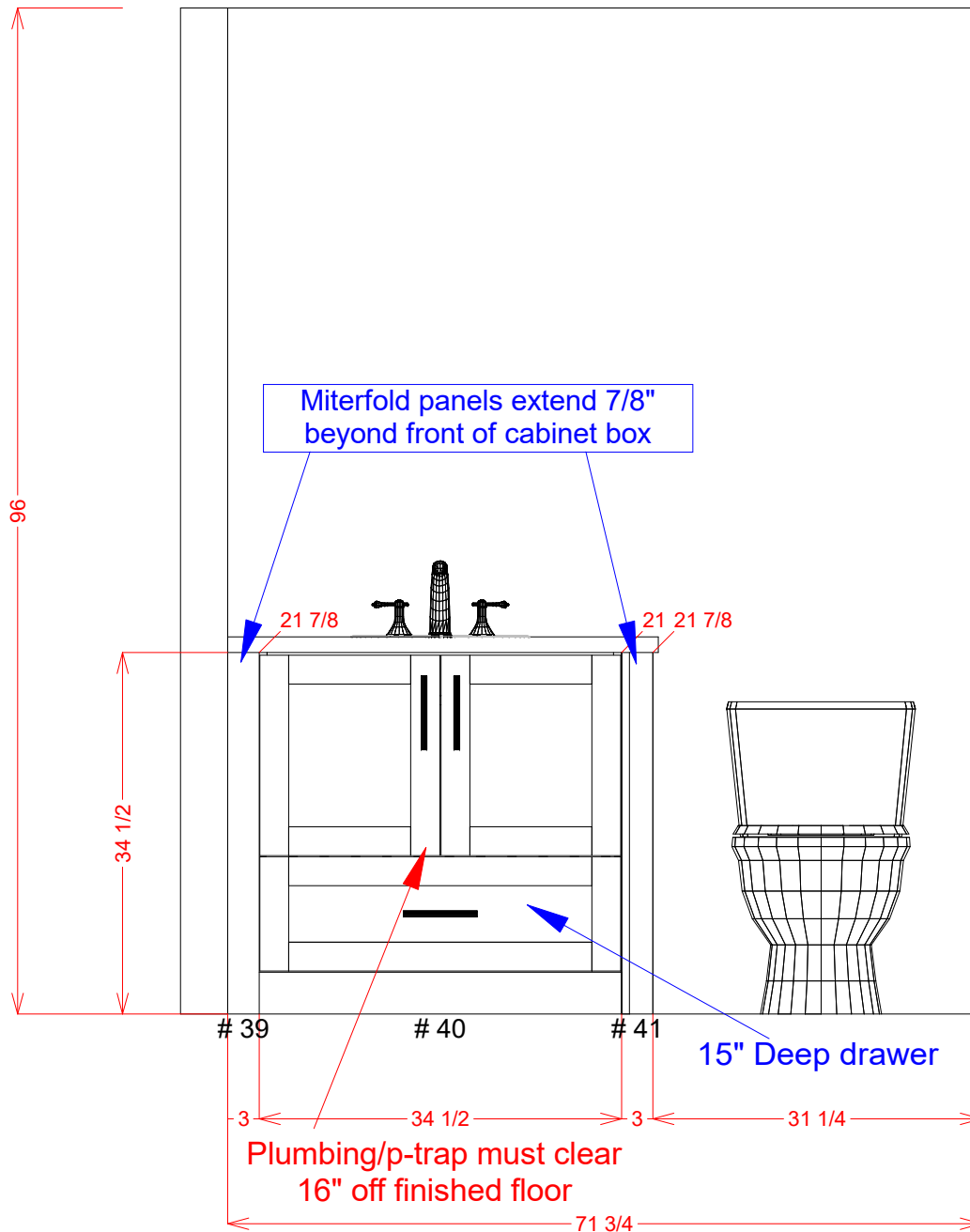


Fricke - 1337 Art Dr

2 Powder Plan

Contact: Brandy 970-837-1512

06/06/23



Cabinet Report				
No	Name	Width	Height	Depth
0	Toilet	18	30	26
0	BF-3	13	7 1/4	9
0	Oval Sink	17	1/8	11 7/8
39	Miter Base F-L	3	34 1/2	21 7/8
40	Sink Base 2DR_1DWR	34 1/2	34 1/2	21
41	Miter Base F-L_F6-R	3	34 1/2	21 7/8



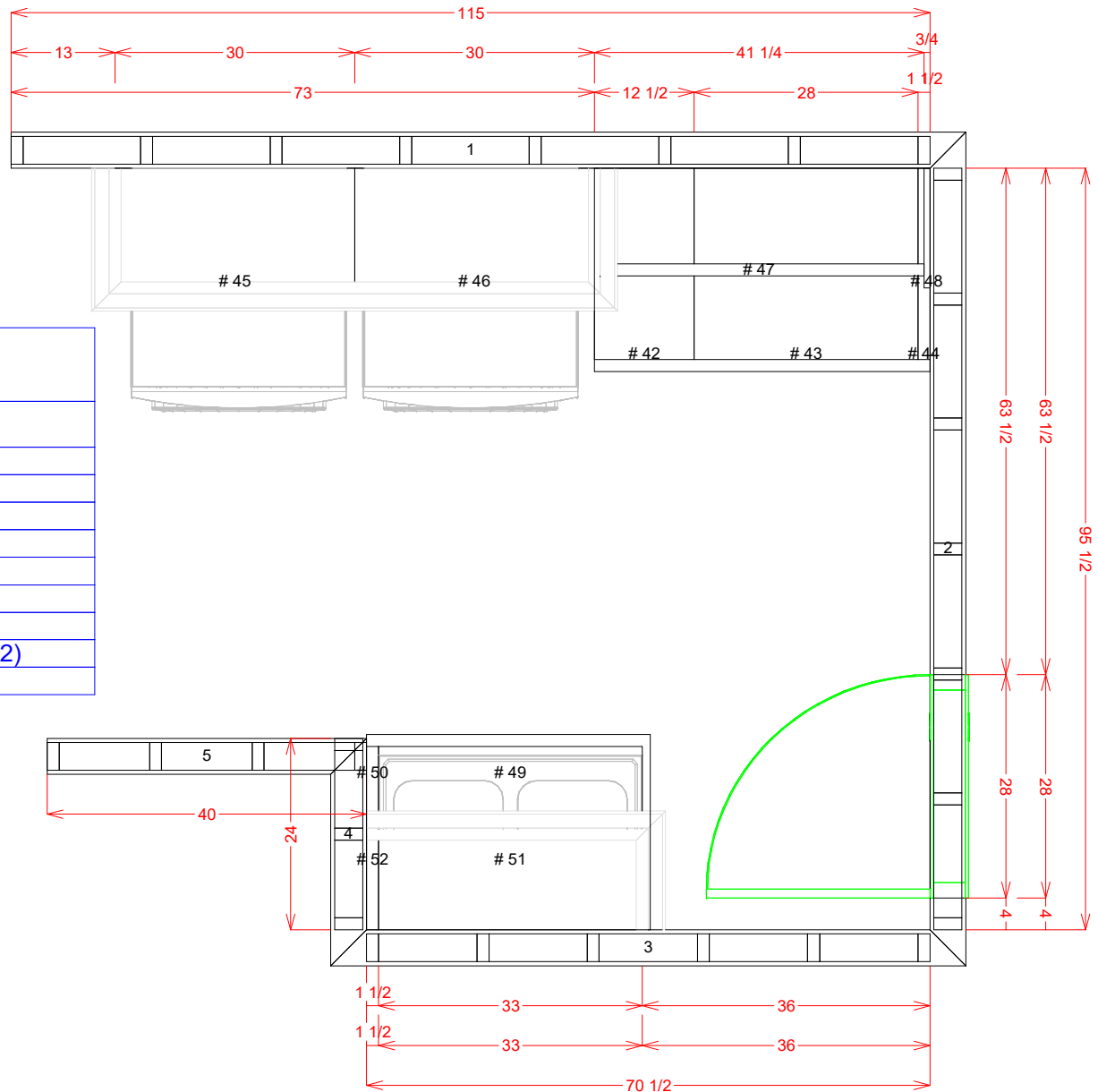
610 Technology Circle
Windsor CO 80550

Fricke - 1337 Art Dr

Room#2 2 Powder

Contact: Brandy 970-837-1512

06/06/23



Selections

3 Laundry/Mudroom

Exterior: Dura Satin White

Exterior Finish: *Satin White

Interior: ***White Melamine

Door Style: Princeton

Drawer Front Style: Princeton 5-pc

Drawer Construction: *5/8 Dovetail

Drawer Slides: *Blum Soft-Close

Hardware: 128mm - AM55277-BBR (TIER 2)

Crown Molding: *Angled Not To Ceiling

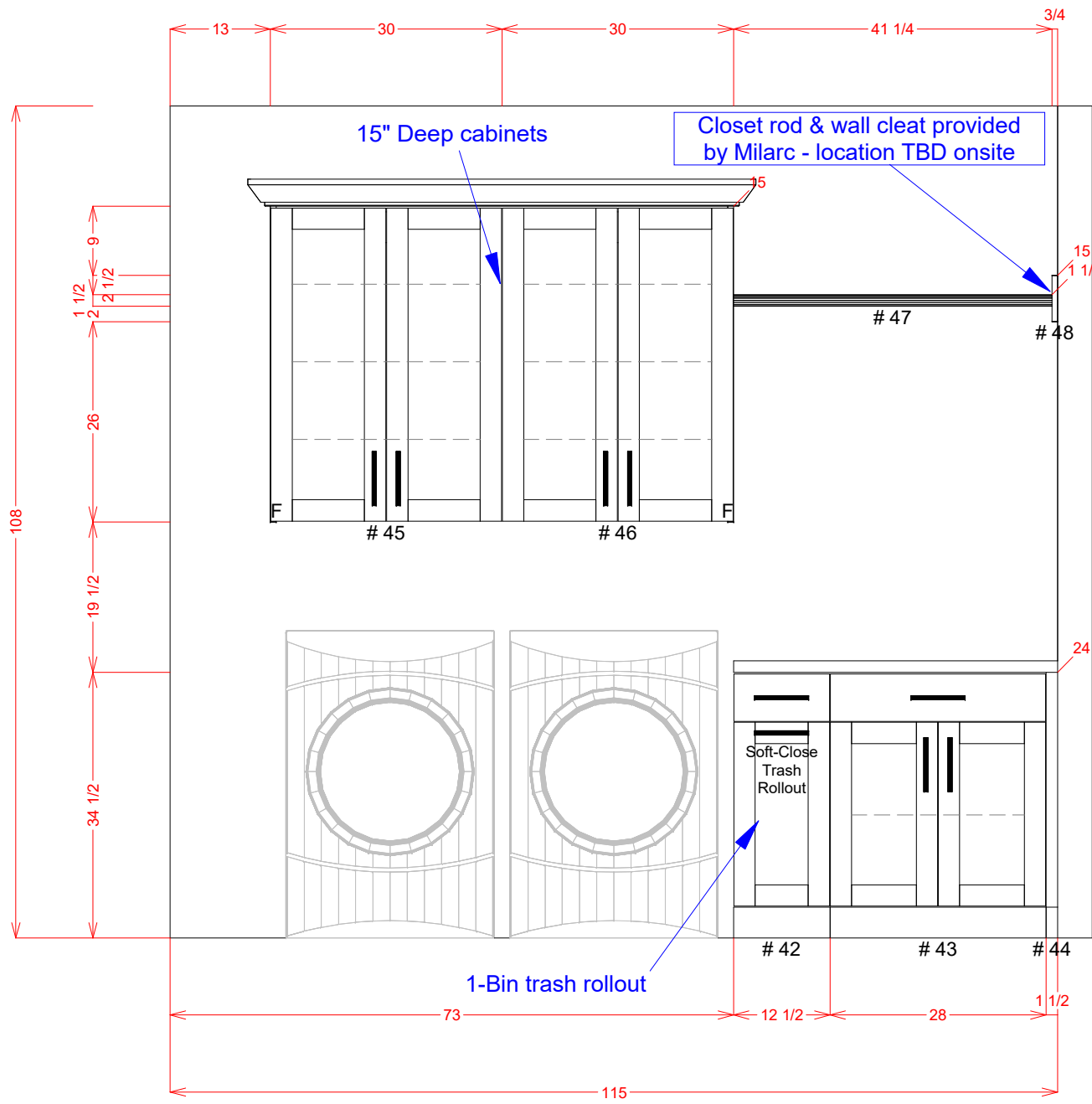


Fricke - 1337 Art Dr

3 Laundry/Mudroom Plan

Contact: Brandy 970-837-1512

06/06/23

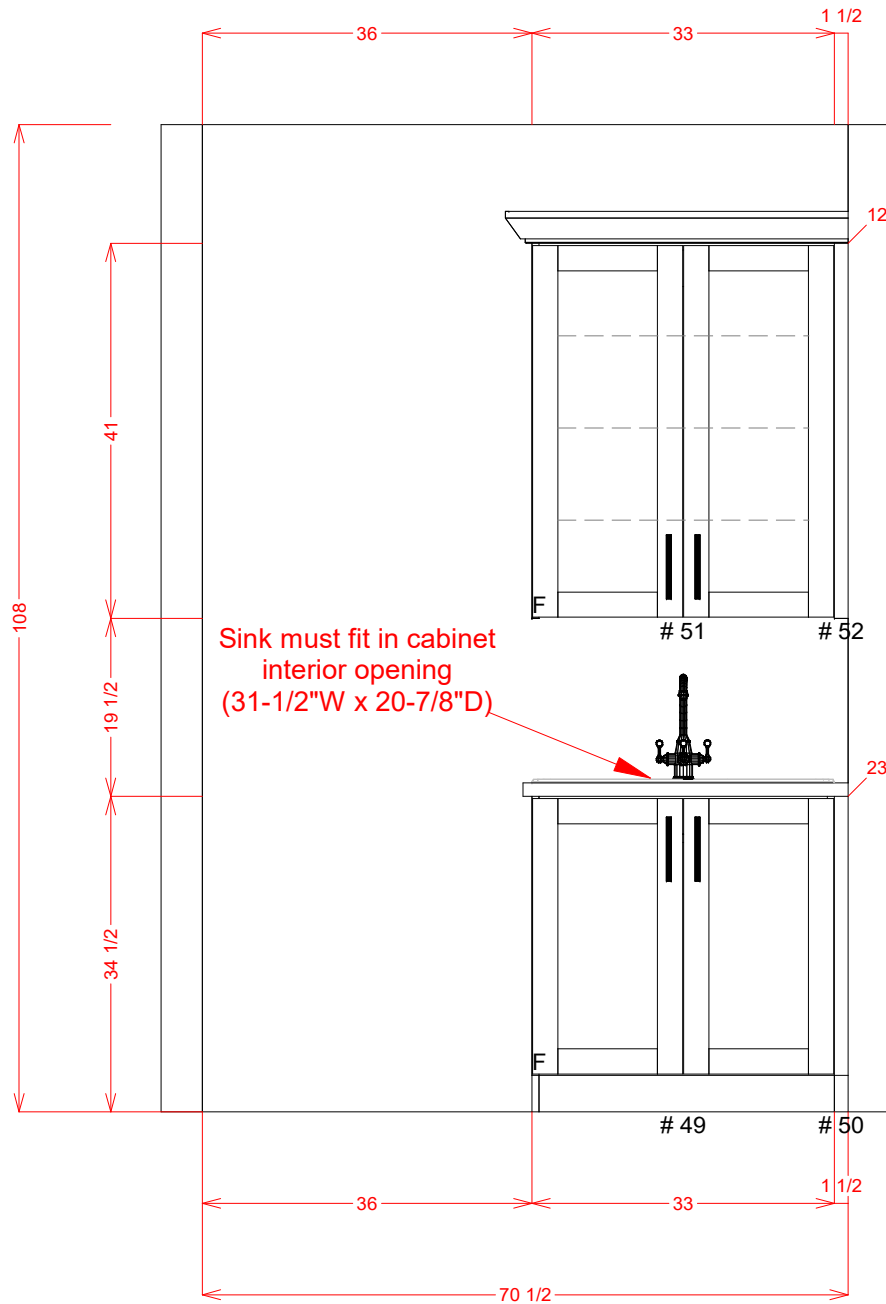


Cabinet Report				
No	Name	Width	Height	Depth
0	Washer	27	39 7/8	30 1/2
0	Dryer	27	39 7/8	30 1/2
42	Trash Rollout	12 1/2	34 1/2	24
43	Std Base ADJ	28	34 1/2	24
44	Base Filler	1 1/2	34 1/2	24
45	Standard Upper	30	41	15
46	Standard Upper	30	41	15
47	Closet Rod	41 1/4	1 1/2	1 1/2
48	Rod Cleat	3/4	6	15



Fricke - 1337 Art Dr
Room#3 3 Laundry/Mudroom

Contact: Brandy 970-837-1512
06/06/23



Cabinet Report				
No	Name	Width	Height	Depth
0	Kitchen Sink	33	3/8	21 15/16
49	Sink Base	33	34 1/2	23
50	Base Filler	1 1/2	34 1/2	23
51	Standard Upper	33	41	12
52	Upper Filler	1 1/2	41	12



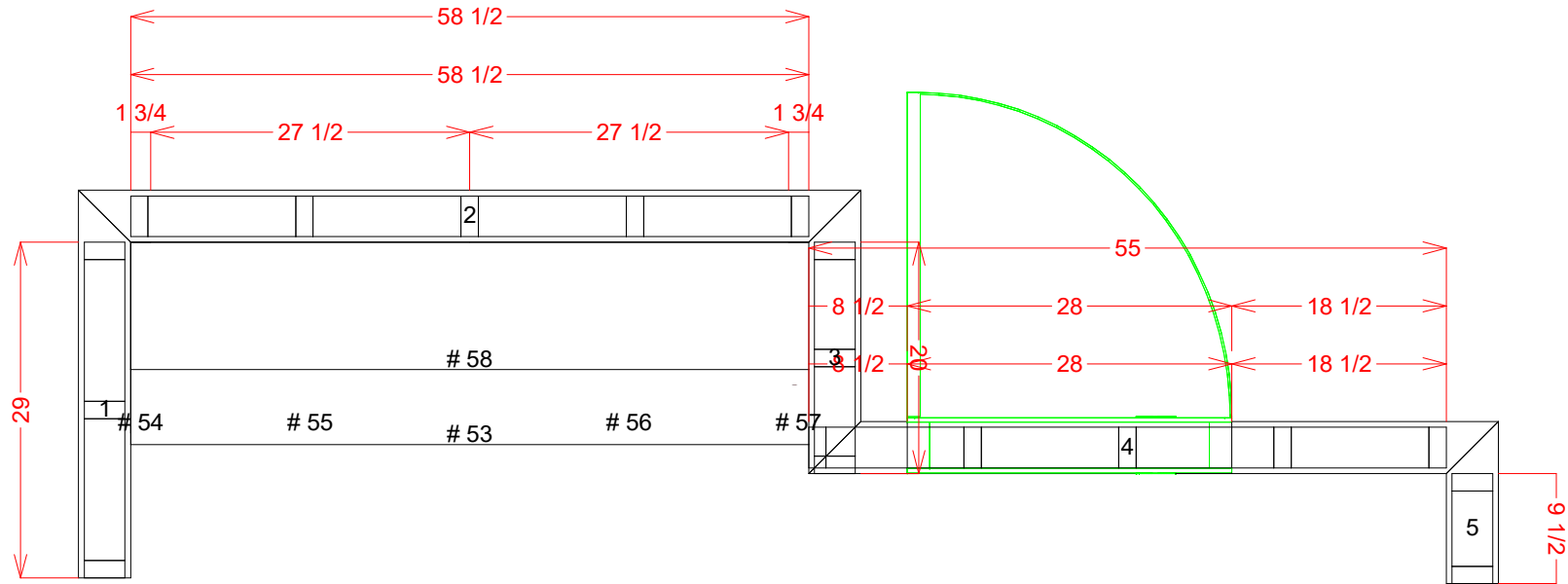
610 Technology Circle
Windsor CO 80550

Fricke - 1337 Art Dr

Room#3 3 Laundry/Mudroom

Contact: Brandy 970-837-1512

06/06/23



Selections

4 Master Closet

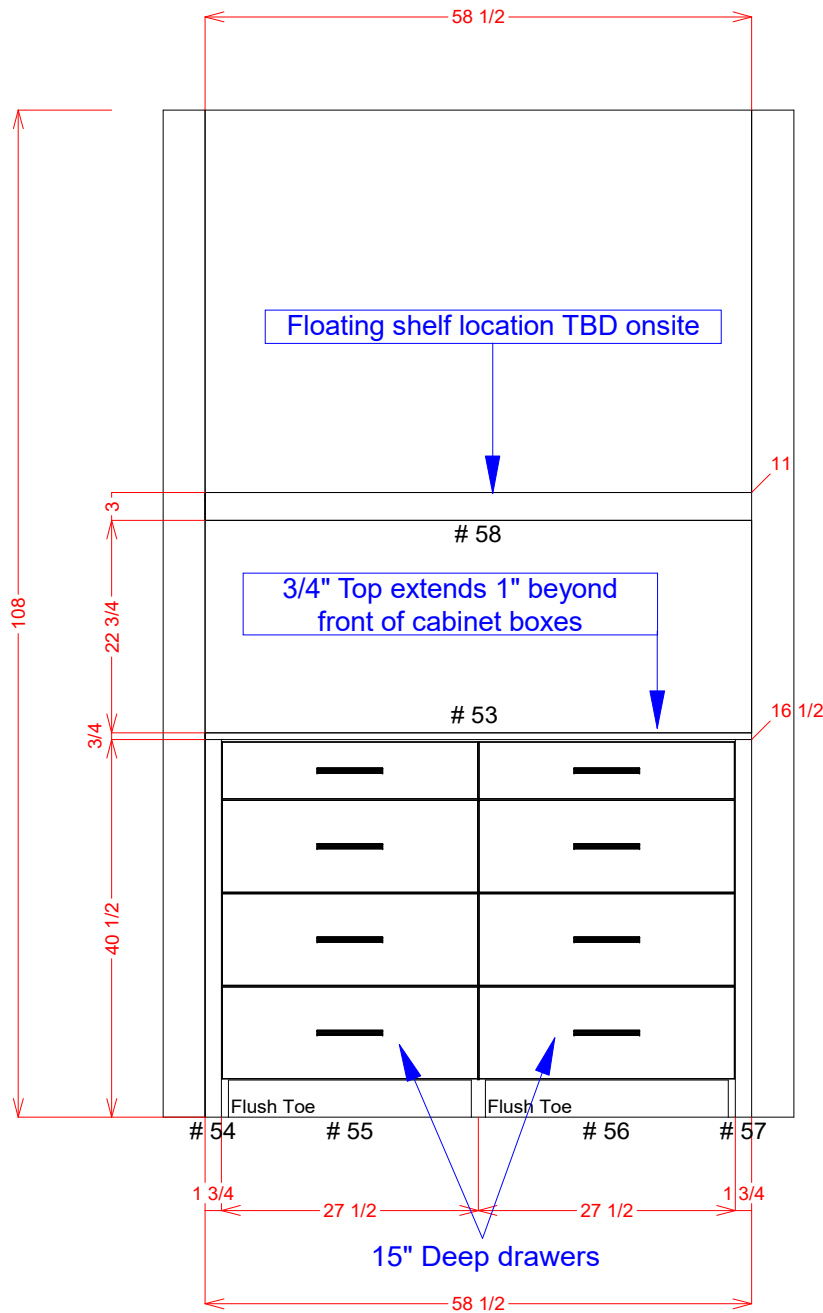
Exterior: White Melamine
Exterior Finish: *Satin White
Interior: ***White Melamine
Door Style: Melamine Slab
Drawer Front Style: Melamine Slab DF
Drawer Construction: *5/8 Dovetail
Drawer Slides: *Blum Soft-Close
Hardware: 128mm - AM5277-BBR (TIER 2)
Crown Molding: N/A



Fricke - 1337 Art Dr
4 Master Closet Plan

Contact: Brandy 970-837-1512

06/06/23



Cabinet Report				
No	Name	Width	Height	Depth
53	EB Top	58 1/2	3/4	17 1/2
54	Flush Toe Filler	1 3/4	40 1/2	16 1/2
55	FT 4 Drawer Base	27 1/2	40 1/2	16 1/2
56	FT 4 Drawer Base	27 1/2	40 1/2	16 1/2
57	Flush Toe Filler	1 3/4	40 1/2	16 1/2
58	Miter Shelf	58 1/2	3	11



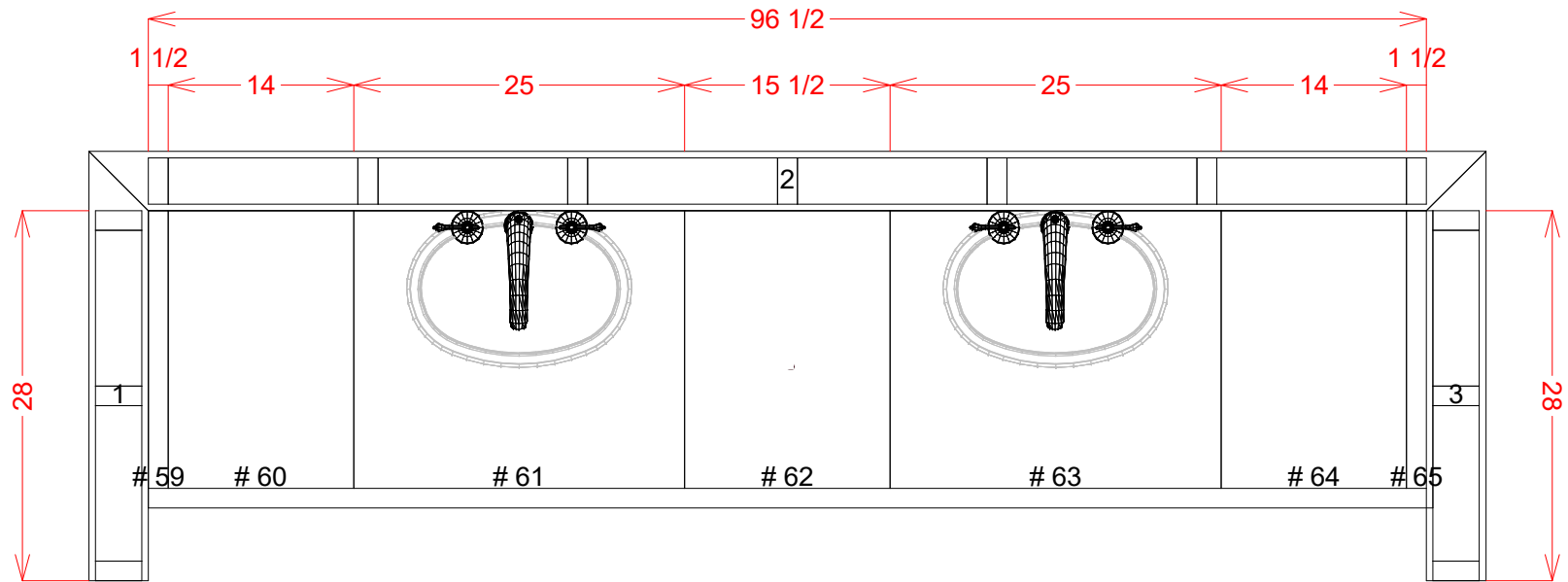
610 Technology Circle
Windsor CO 80550

Fricke - 1337 Art Dr

Room#4 4 Master Closet

Contact: Brandy 970-837-1512

06/06/23



Selections

5 Master Bath

Exterior: Hickory Rustic

Exterior Finish: **Spanish Pecan

Interior: ***Hardrock Melamine

Door Style: Artisan

Drawer Front Style: Artisan 5-pc

Drawer Construction: *5/8 Dovetail

Drawer Slides: *Blum Soft-Close

Hardware: 128mm - AM55277-BBR (TIER 2)

Crown Molding: N/A

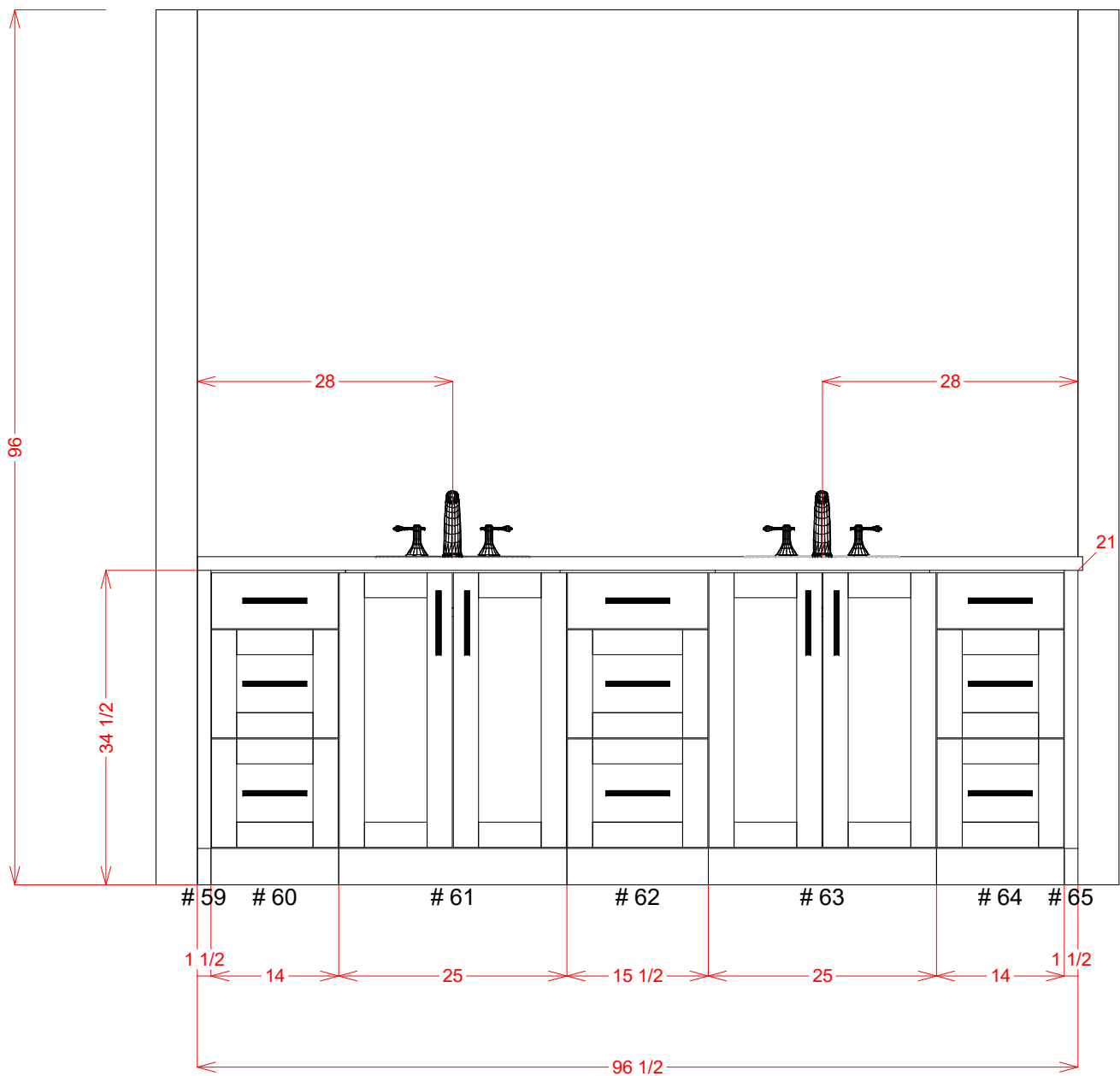


Fricke - 1337 Art Dr

5 Master Bath Plan

Contact: Brandy 970-837-1512

06/06/23



Cabinet Report				
No	Name	Width	Height	Depth
0	BF-3	13	7 1/4	9
0	Oval Sink	17	1/8	11 7/8
0	BF-3	13	7 1/4	9
0	Oval Sink	17	1/8	11 7/8
59	Base Filler	1 1/2	34 1/2	21
60	3 Drawer Base	14	34 1/2	21
61	Sink Base	25	34 1/2	21
62	3 Drawer Base	15 1/2	34 1/2	21
63	Sink Base	25	34 1/2	21
64	3 Drawer Base	14	34 1/2	21
65	Base Filler	1 1/2	34 1/2	21



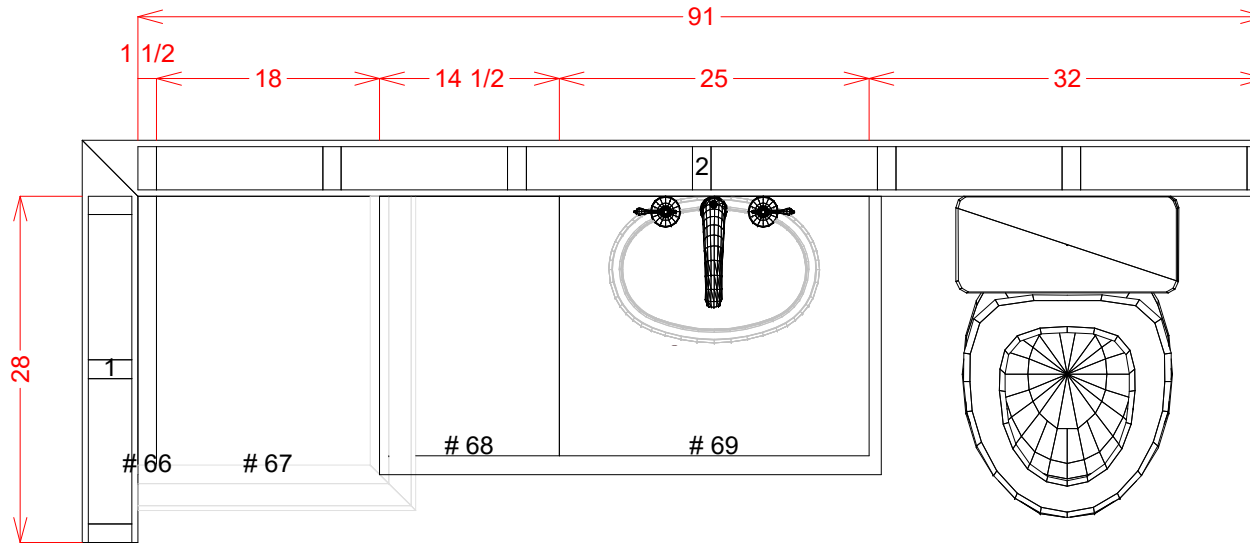
610 Technology Circle
Windsor CO 80550

Fricke - 1337 Art Dr

Room#5 5 Master Bath

Contact: Brandy 970-837-1512

06/06/23



Selections

6 Hall Bath

Exterior: Hickory Rustic

Exterior Finish: **Spanish Pecan

Interior: ***Hardrock Melamine

Door Style: Artisan

Drawer Front Style: Artisan 5-pc

Drawer Construction: *5/8 Dovetail

Drawer Slides: *Blum Soft-Close

Hardware: 128mm - AM5277-BBR (TIER 2)

Crown Molding: *Angled Not To Ceiling

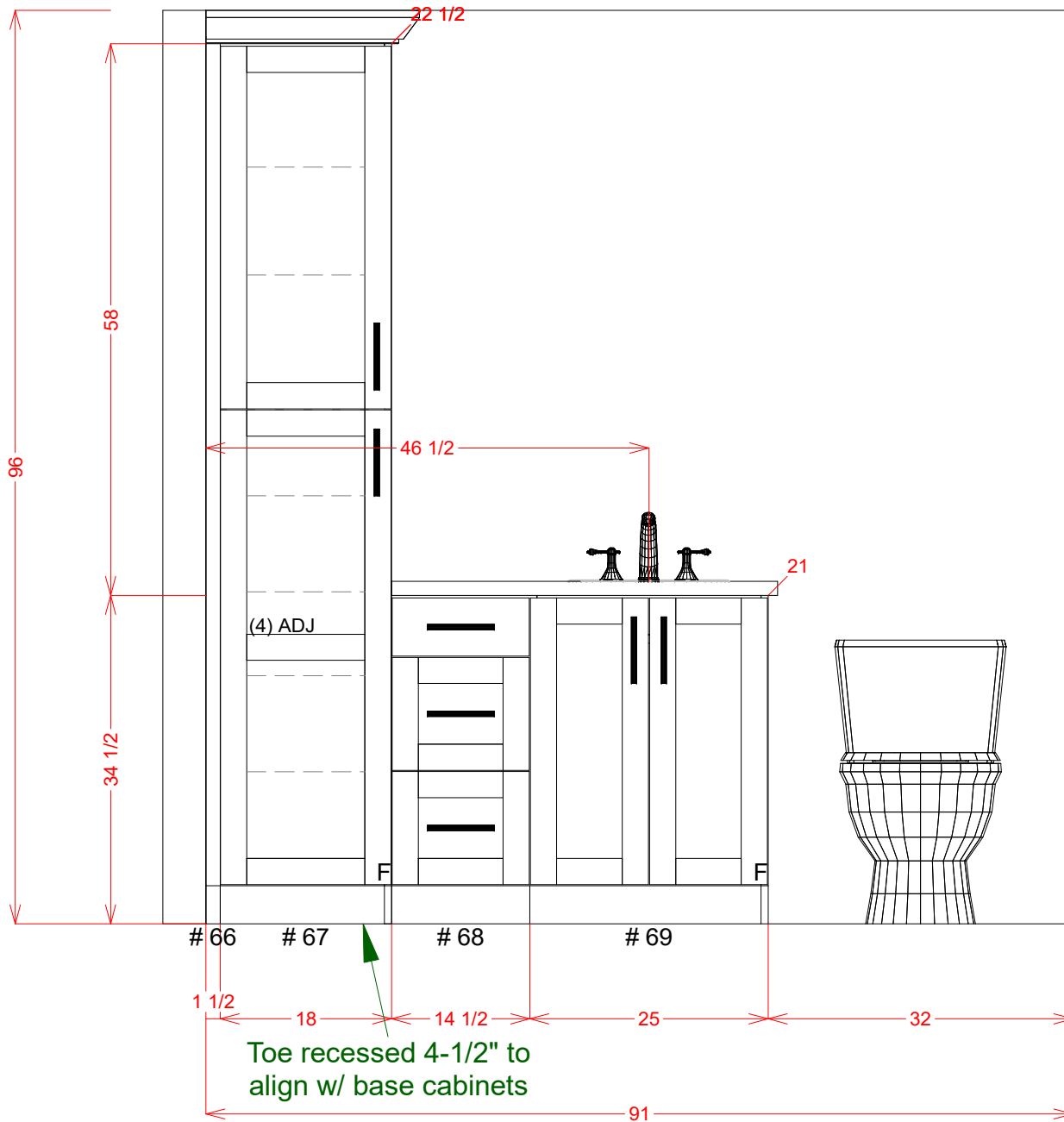


Fricke - 1337 Art Dr

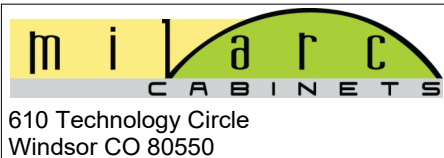
6 Hall Bath Plan

Contact: Brandy 970-837-1512

06/06/23



Cabinet Report				
No	Name	Width	Height	Depth
0	Toilet	18	30	26
0	BF-3	13	7 1/4	9
0	Oval Sink	17	1/8	11 7/8
66	Tall Filler	1 1/2	92 1/2	22 1/2
67	Pantry ADJ	18	92 1/2	22 1/2
68	3 Drawer Base	14 1/2	34 1/2	21
69	Sink Base	25	34 1/2	21



Fricke - 1337 Art Dr

Room#6 6 Hall Bath

Contact: Brandy 970-837-1512

06/06/23