

KITCHEN: SITELINE CABINERY  
 CONSTRUCTION: FULL ACCESS  
 DOOR STYLE: WALTON  
 DRAWER STYLE: OPT C (5 PC & 5 PC MATCHING)  
 MATERIAL: MAPLE/MDF  
 FINISH: OPAL PAINT W/ GREY GLAZE  
 INTERIOR: NATURAL WOODGRAIN TFL  
 DRAWER BOX: STD WOOD & DOVETAIL  
 GUIDES: FULL EXTENSION, U/M & SOFT CLOSE  
 HINGES: CONCEALED & SOFT-CLOSE  
 CROWN: 6"H (USING #LMCRN8 ABOVE #SMER8-3)  
 LIGHT RAIL: 1 1/2"H (#LVER8)

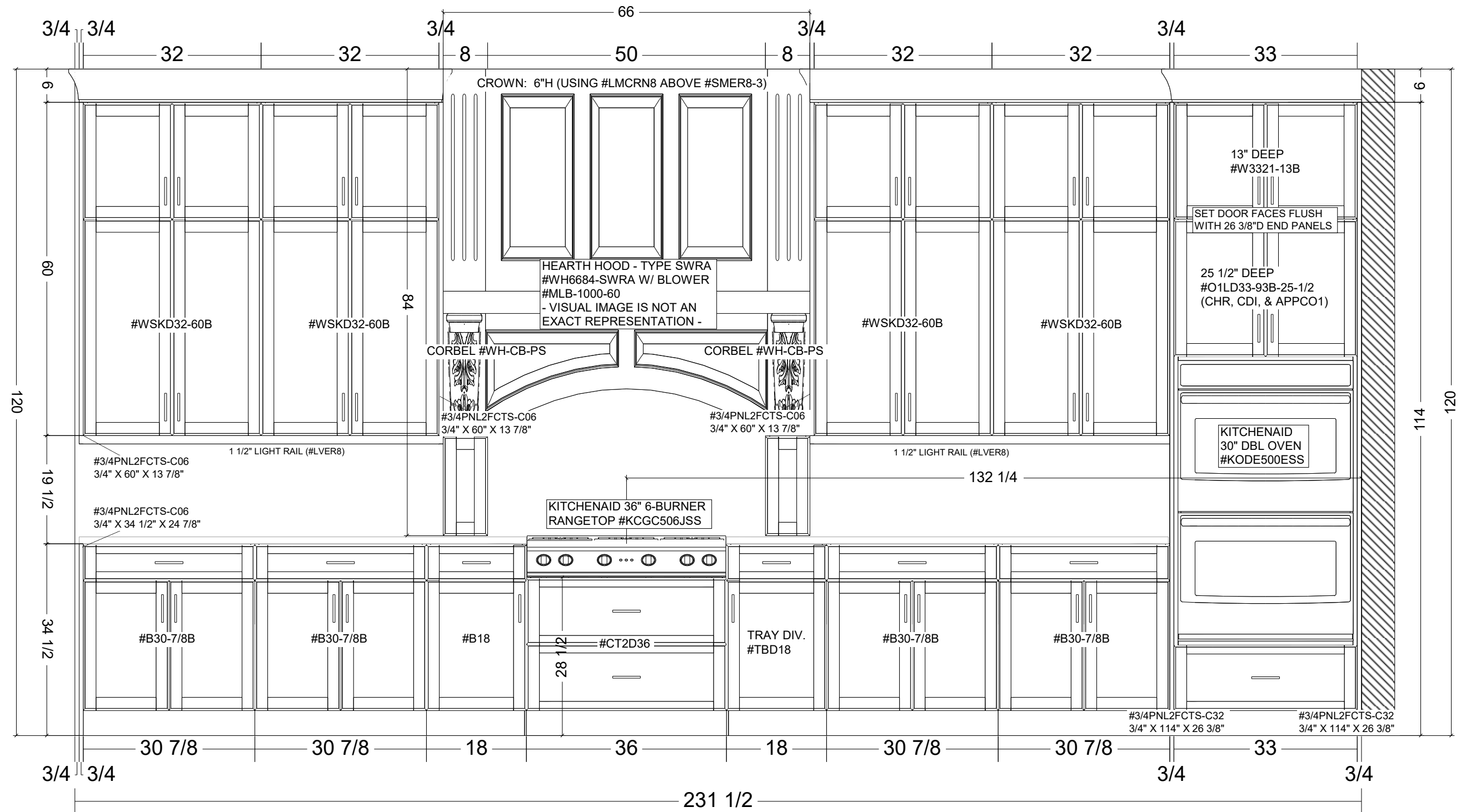
# SPRINGHAUS DESIGNS

APPROVED (SIGN & DATE):

Job: **952 Skipping Stone Ct - Fricke**  
 Drawing Title: **Kitchen Floor Plan**

Address: **952 Skipping Stone Ct**  
**Timnath CO 80547**  
 Phone: **970-290-2439**  
 E-Mail: **tracy@tracysteam.com**

Scale: **1/2" = 1'**  
 Date: **7/12/2021**  
 Revision: **L. Means - #12**



# SPRINGHAUS DESIGNS

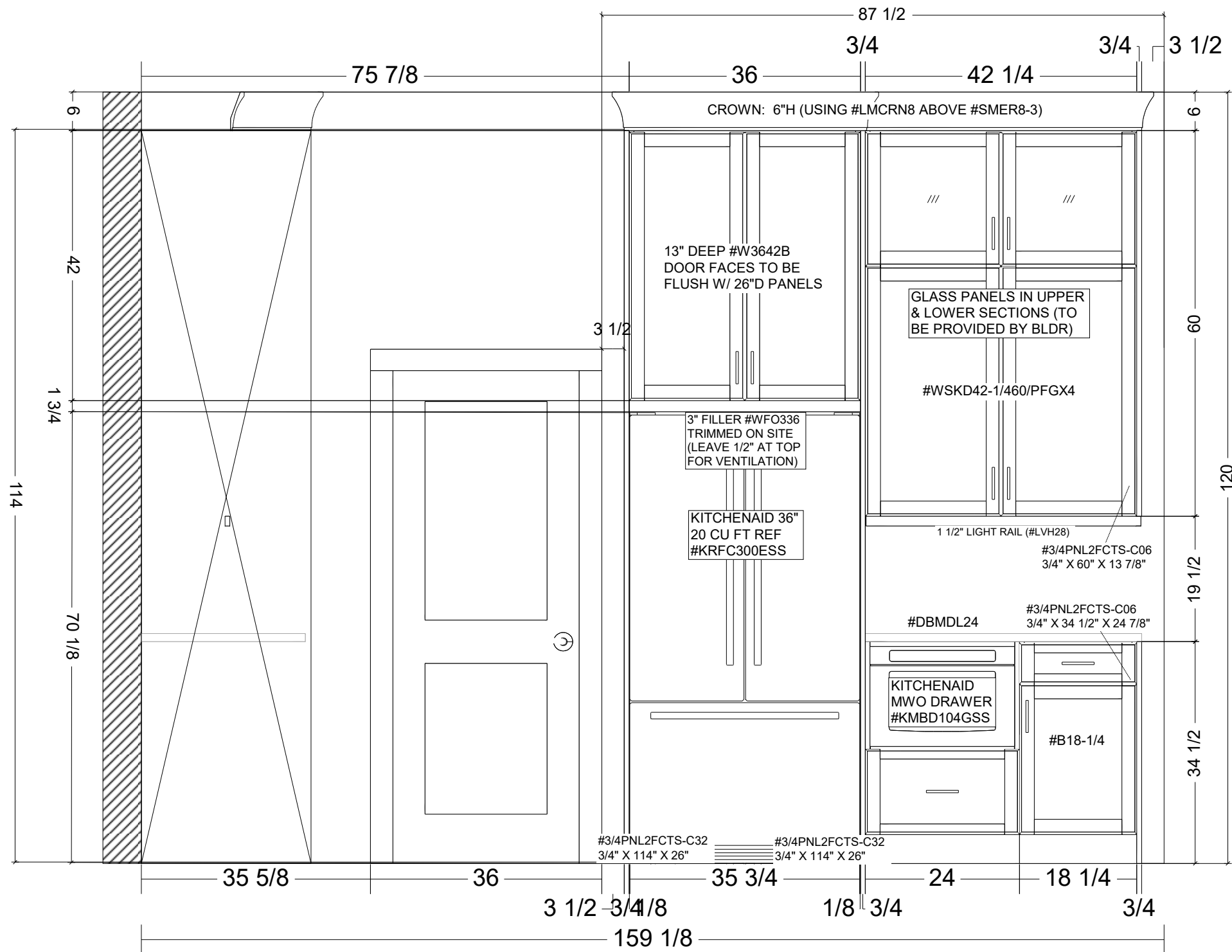
APPROVED (SIGN & DATE):

Job: **952 Skipping Stone Ct - Fricke**  
 Drawing Title: **Kitchen Elevation 1**

Address: **952 Skipping Stone Ct  
Timnath CO 80547**  
 Phone: **970-290-2439**  
 E-Mail: **tracy@tracysteam.com**

Scale: **5/8" = 1'**  
 Date: **7/12/2021**  
 Revision: **L. Means - #12**

Page: **2/17**



# SPRINGHAUS DESIGNS

APPROVED (SIGN & DATE):

Job:  
**952 Skipping Stone Ct - Fricke**

Drawing Title:  
**Kitchen Elevation 2**

Address:  
**952 Skipping Stone Ct  
Timnath CO 80547**

Phone:  
**970-290-2439**

E-Mail:  
**tracy@tracysteam.com**

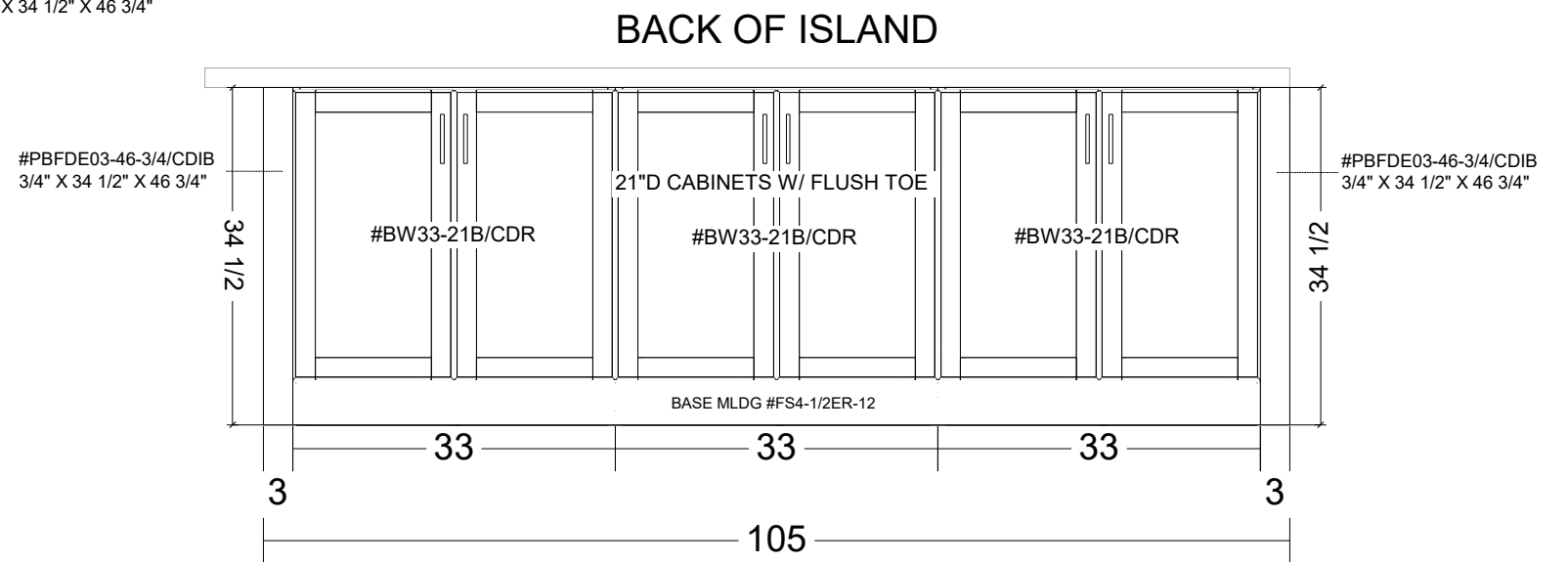
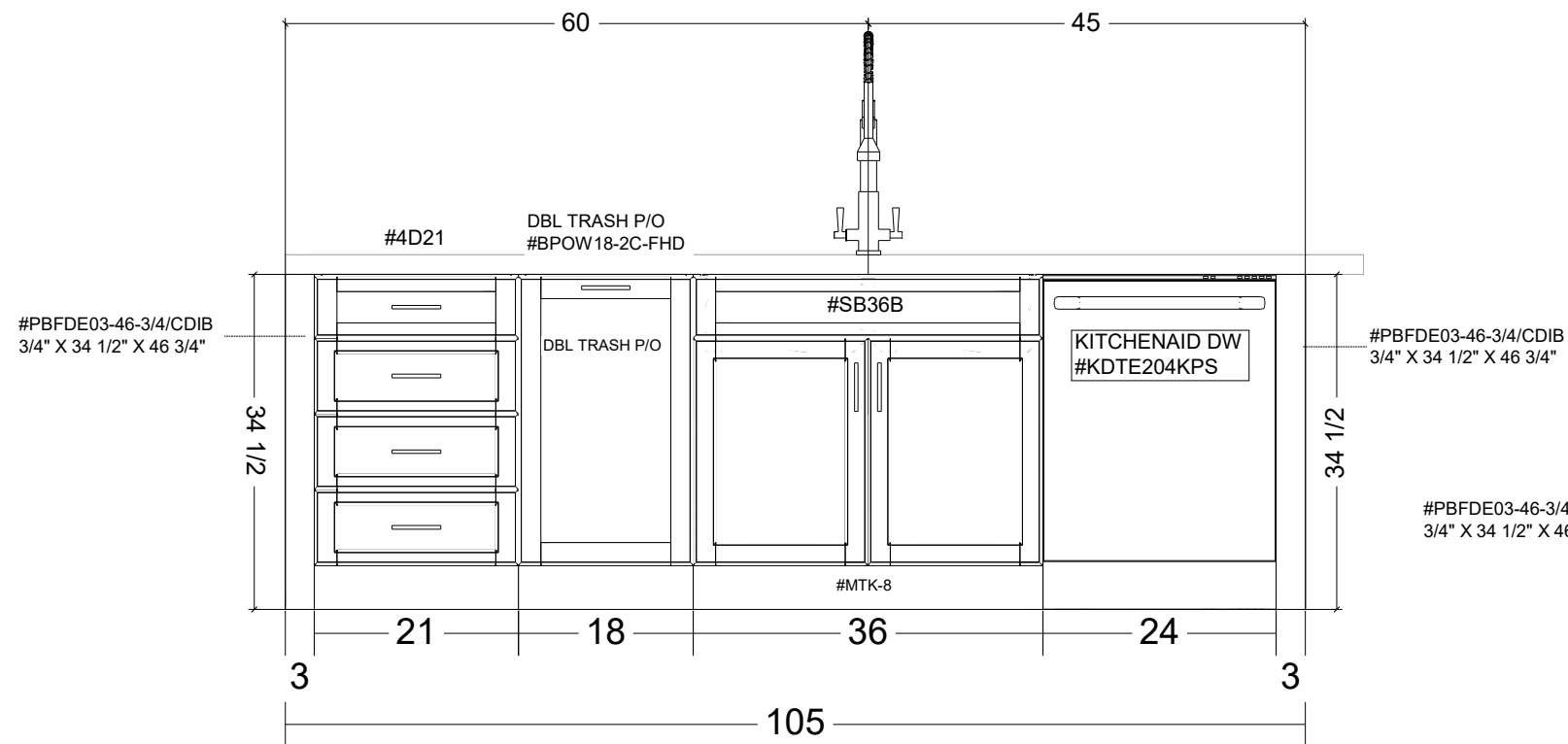
Scale:  
**5/8" = 1'**

Date:  
**7/12/2021**

Revision:  
**L. Means - #12**

Page:

**3/17**



**SPRINGHAUS DESIGNS**

APPROVED (SIGN & DATE):

Job: **952 Skipping Stone Ct - Fricke**

Drawing Title: **Kitchen Island Elevations**

Address: **952 Skipping Stone Ct  
Timnath CO 80547**

Phone: **970-290-2439**

E-Mail: **tracy@tracysteam.com**

Scale: **5/8" = 1'**

Date: **7/12/2021**

Revision: **L. Means - #12**

Page:

**4/17**



# SPRINGHAUS DESIGNS

APPROVED (SIGN & DATE):

Job:

**952 Skipping Stone Ct - Fricke**

Drawing Title:

***Kitchen Perspectives***

Address:

**952 Skipping Stone Ct**

**Timnath CO 80547**

Phone:

**970-290-2439**

E-Mail:

**tracy@tracysteam.com**

Scale:

**1/2" = 1'**

Date:

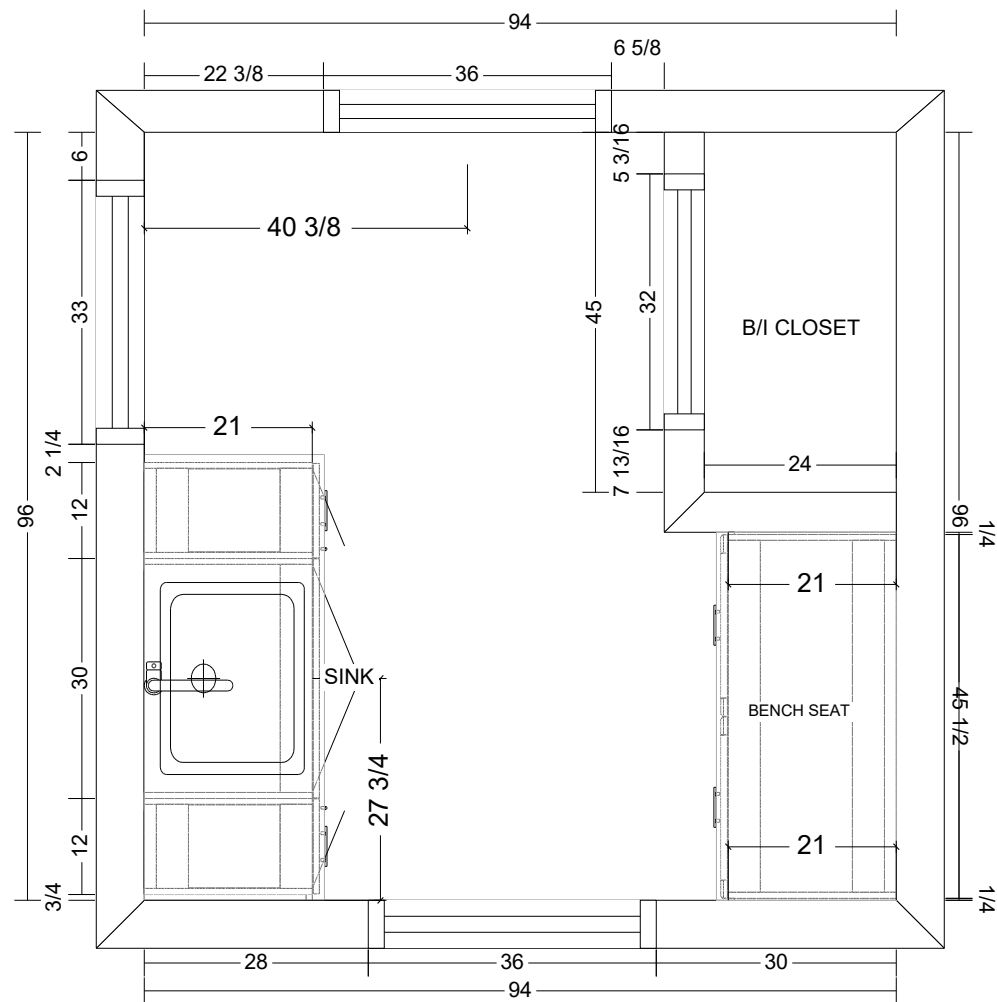
**7/12/2021**

Revision:

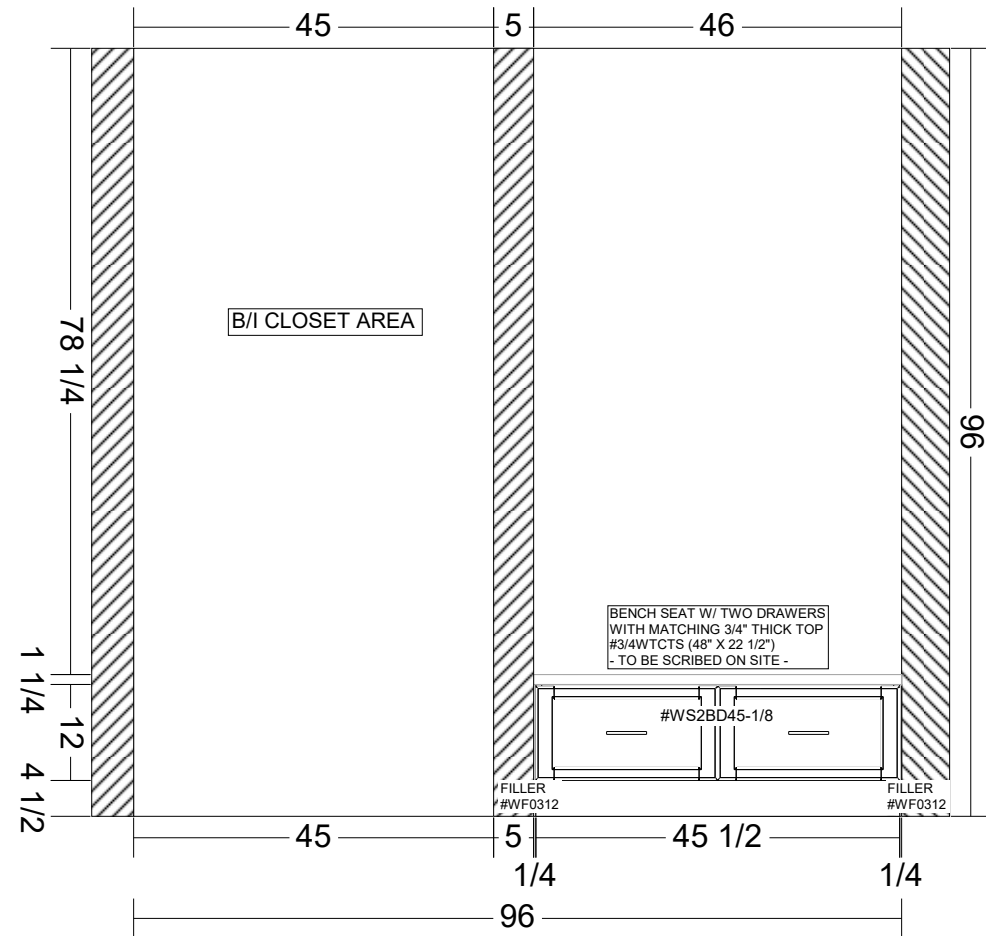
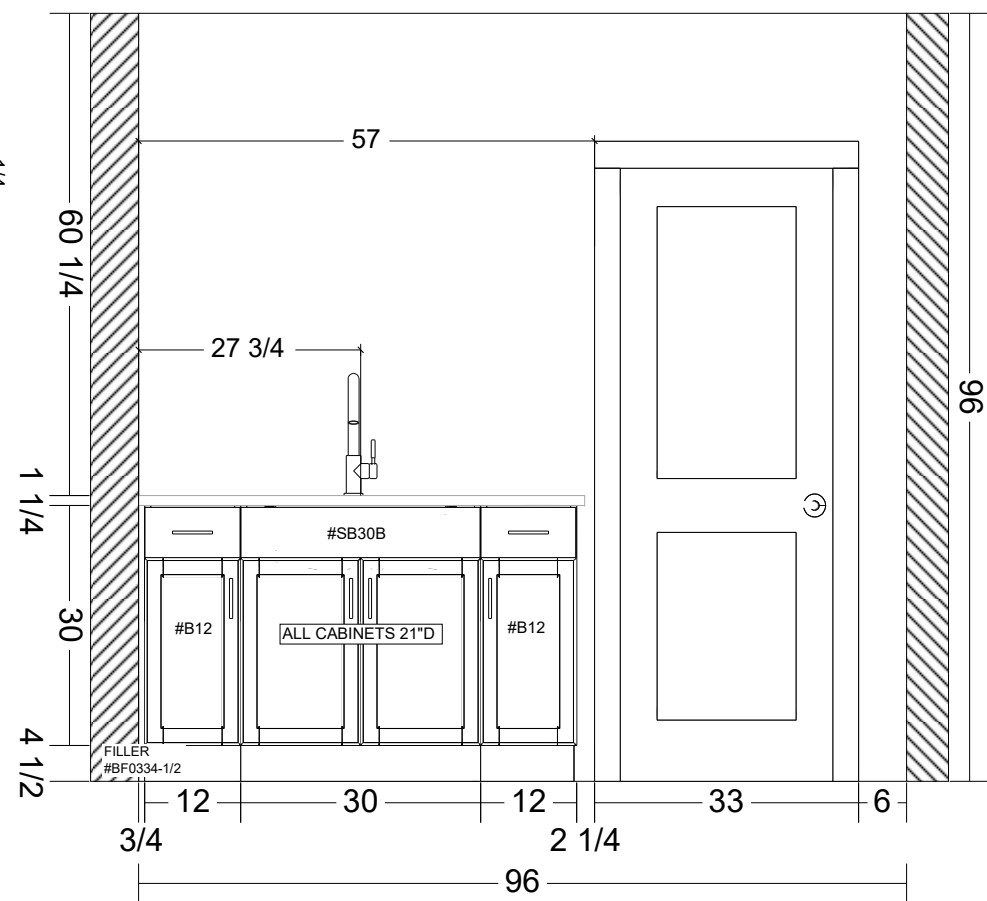
**L. Means - #12**

Page:

**5/17**



MUDROOM: SITELINE  
 CONSTRUCTION: FULL ACCESS  
 DOOR STYLE: WALTON W/ OPT B  
 MATERIAL: MAPLE/MDF  
 FINISH: "OPAL" PAINT  
 INTERIOR: NATURAL WOODGRAIN TFL  
 DRAWER BOX: STD WOOD & DOVETAIL  
 GUIDES: FULL EXTENSION, U/M & SOFT CLOSE  
 HINGES: CONCEALED & SOFT CLOSE



# SPRINGHAUS DESIGNS

APPROVED (SIGN & DATE):

Job: **952 Skipping Stone Ct - Fricke**  
 Drawing Title: **Mudroom Plan & Elevations**

Address: **952 Skipping Stone Ct  
Timnath CO 80547**  
 Phone: **970-290-2439**  
 E-Mail: **tracy@tracysteam.com**

Scale: **1/2" = 1'**  
 Date: **7/12/2021**  
 Revision: **L. Means - #12**

Page: **6/17**



# SPRINGHAUS DESIGNS

APPROVED (SIGN & DATE):

Job:

**952 Skipping Stone Ct - Fricke**

Drawing Title:

***Mudroom Perspectives***

Address:

**952 Skipping Stone Ct**

**Timnath CO 80547**

Phone:

**970-290-2439**

E-Mail:

**tracy@tracysteam.com**

Scale:

**1/2" = 1'**

Date:

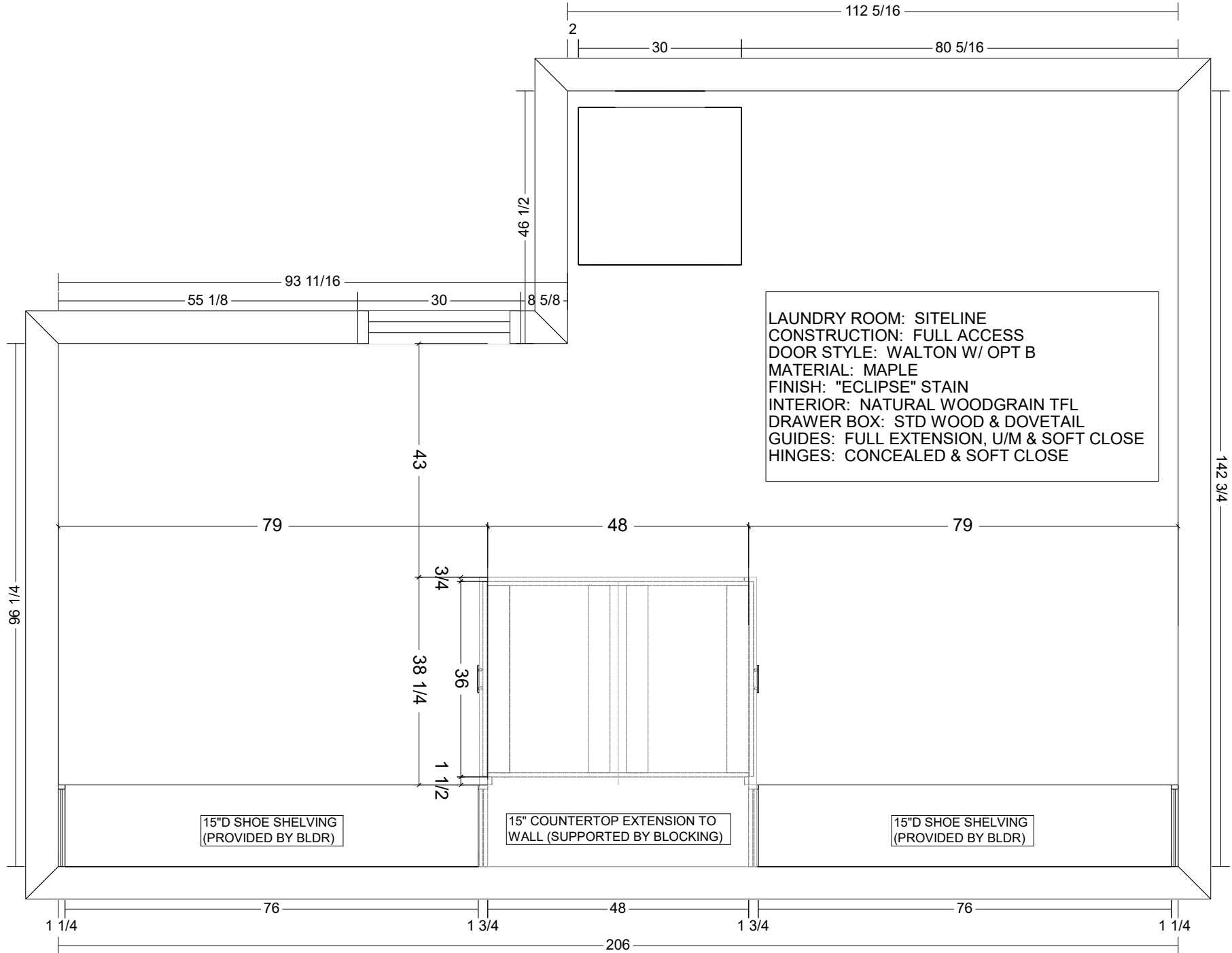
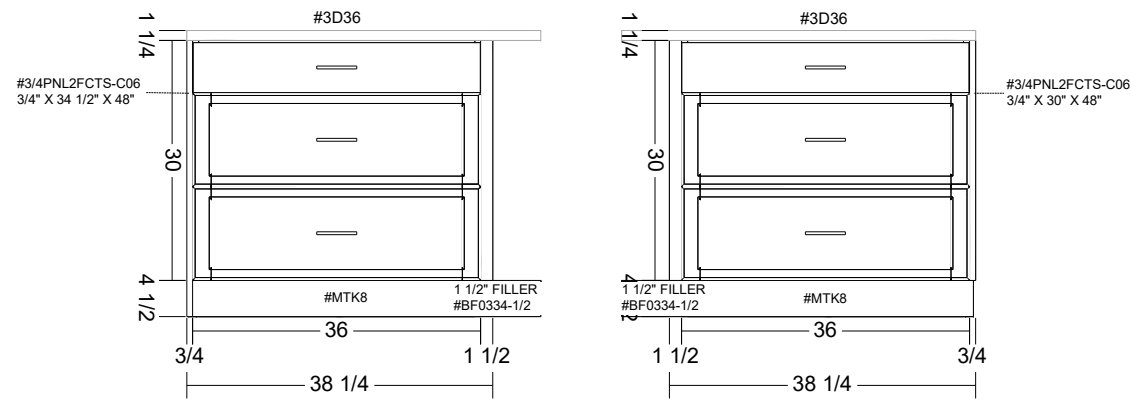
**7/12/2021**

Revision:

**L. Means - #12**

Page:

**7/17**



LAUNDRY ROOM: SITELINE  
 CONSTRUCTION: FULL ACCESS  
 DOOR STYLE: WALTON W/ OPT B  
 MATERIAL: MAPLE  
 FINISH: "ECLIPSE" STAIN  
 INTERIOR: NATURAL WOODGRAIN TFL  
 DRAWER BOX: STD WOOD & DOVETAIL  
 GUIDES: FULL EXTENSION, U/M & SOFT CLOSE  
 HINGES: CONCEALED & SOFT CLOSE

# SPRINGHAUS DESIGNS

APPROVED (SIGN & DATE):

Job: **952 Skipping Stone Ct - Fricke**

Drawing Title: **Master Closet Plan & Elevations**

Address: **952 Skipping Stone Ct  
Timnath CO 80547**  
 Phone: **970-290-2439**  
 E-Mail: **tracy@tracysteam.com**

Scale: **1/2" = 1'**  
 Date: **7/12/2021**  
 Revision: **L. Means - #12**

Page: **8/17**





# SPRINGHAUS DESIGNS

APPROVED (SIGN & DATE):

Job:

**952 Skipping Stone Ct - Fricke**

Drawing Title:

**Master Closet Perspectives**

Address:

**952 Skipping Stone Ct**

**Timnath CO 80547**

Phone:

**970-290-2439**

E-Mail:

**tracy@tracysteam.com**

Scale:

**1/2" = 1'**

Date:

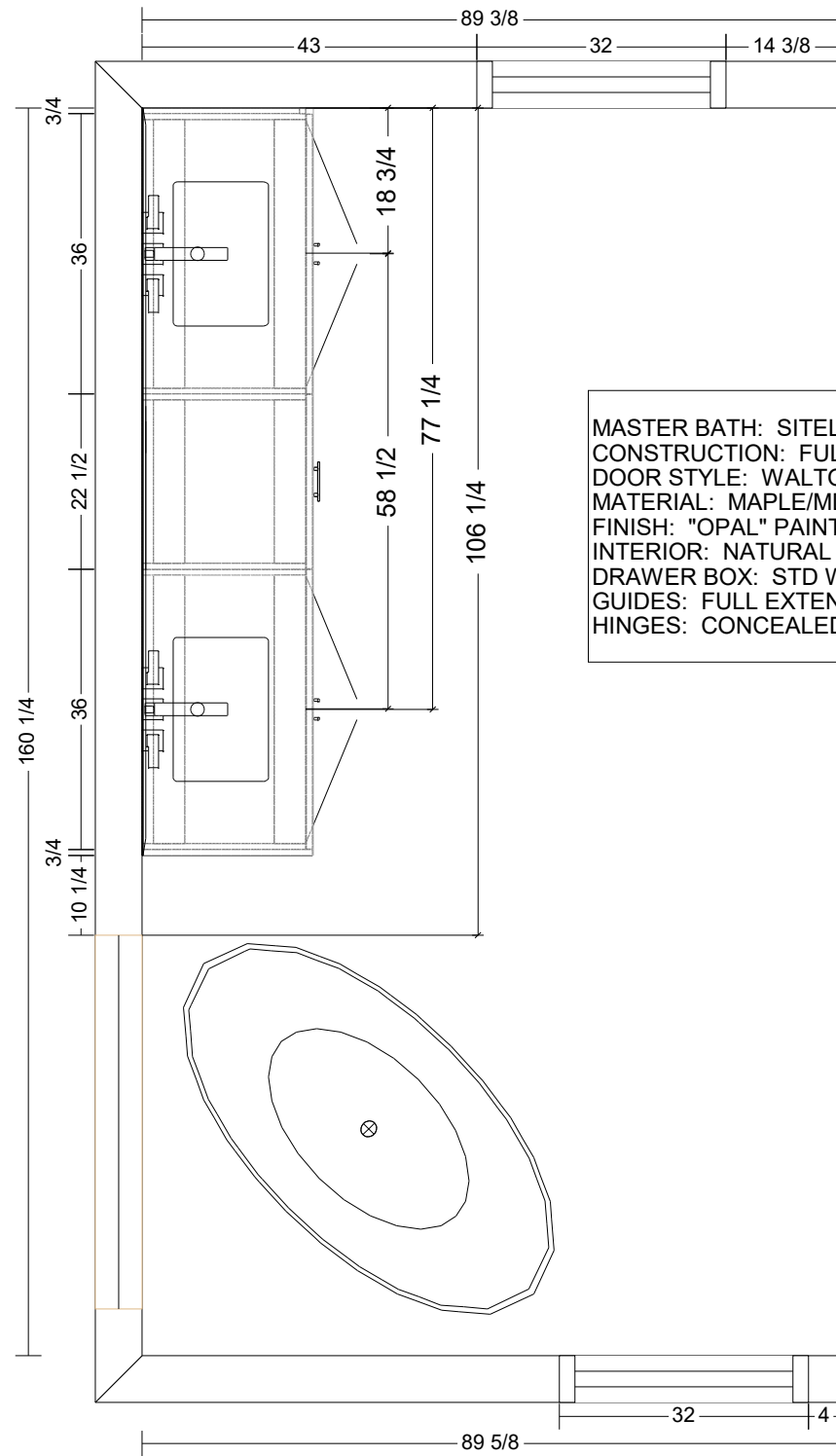
**7/12/2021**

Revision:

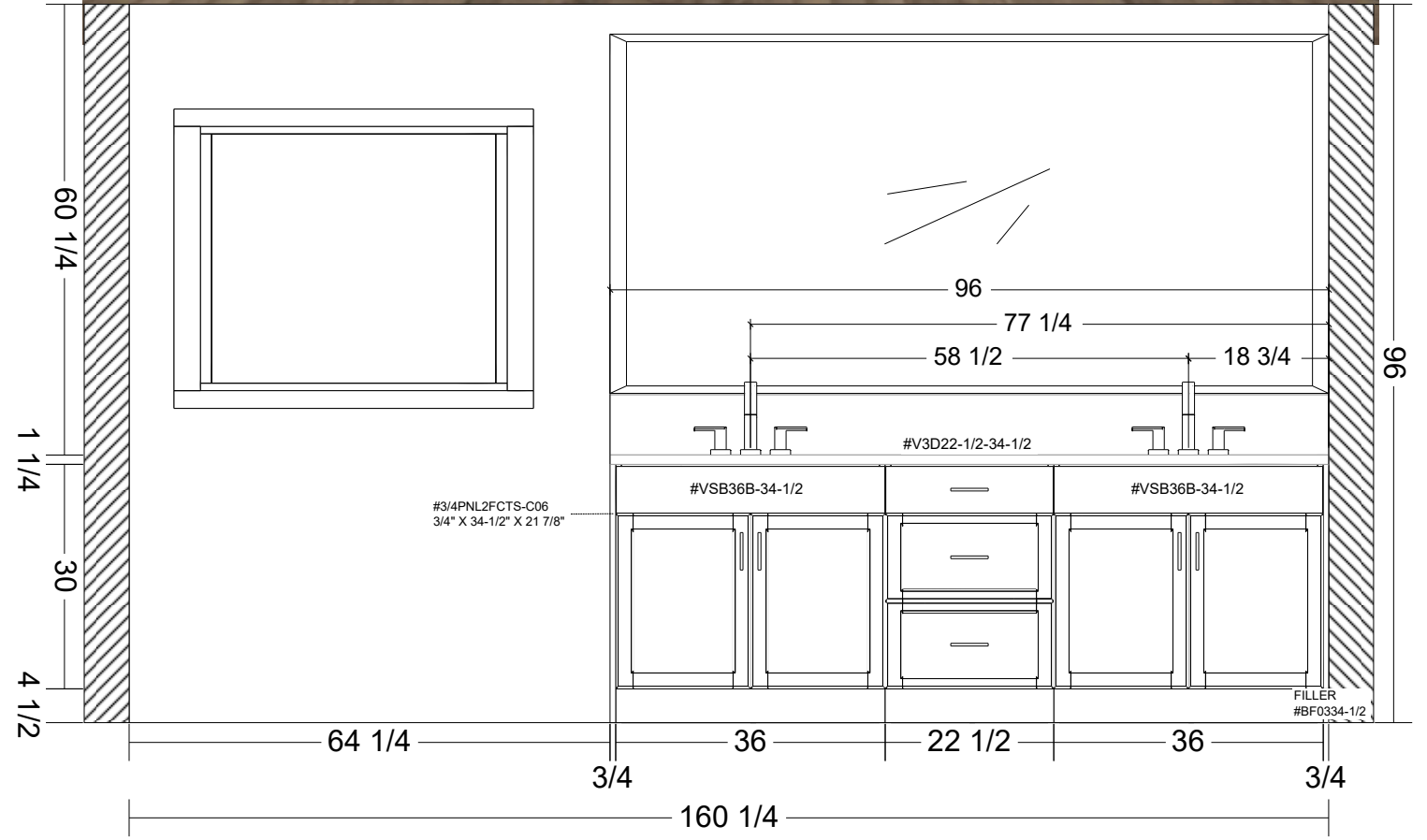
**L. Means - #12**

Page:

**9/17**



MASTER BATH: SITELINE  
 CONSTRUCTION: FULL ACCESS  
 DOOR STYLE: WALTON W/ OPT B  
 MATERIAL: MAPLE/MDF  
 FINISH: "OPAL" PAINT  
 INTERIOR: NATURAL WOODGRAIN TFL  
 DRAWER BOX: STD WOOD & DOVETAIL  
 GUIDES: FULL EXTENSION, U/M & SOFT CLOSE  
 HINGES: CONCEALED & SOFT CLOSE



# SPRINGHAUS DESIGNS

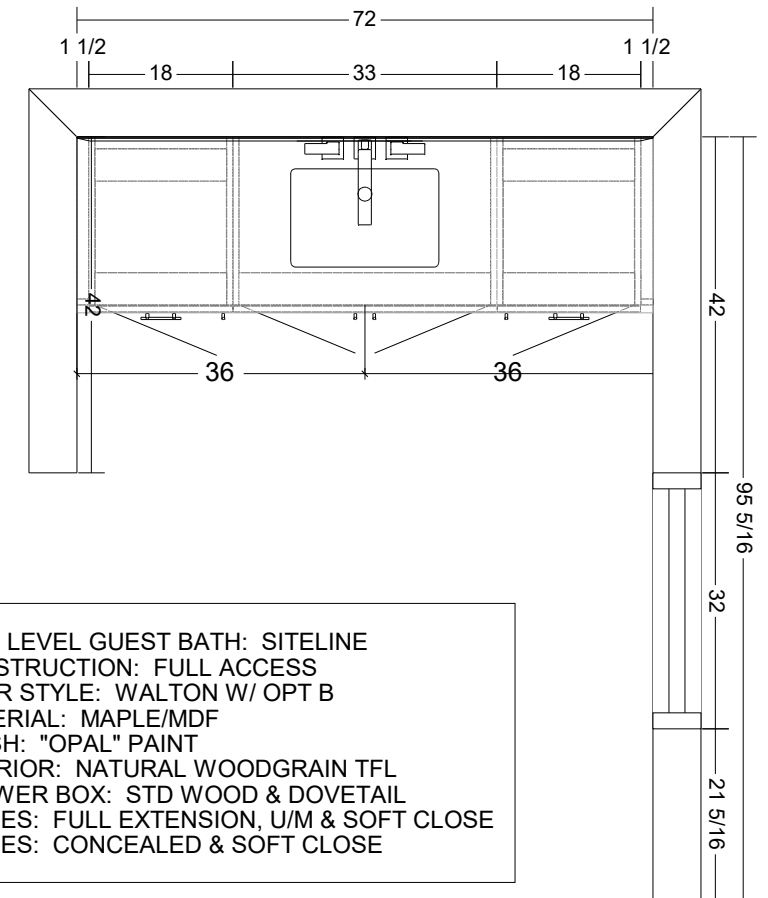
APPROVED (SIGN & DATE):

Job: **952 Skipping Stone Ct - Fricke**  
 Drawing Title: **Master Bath**

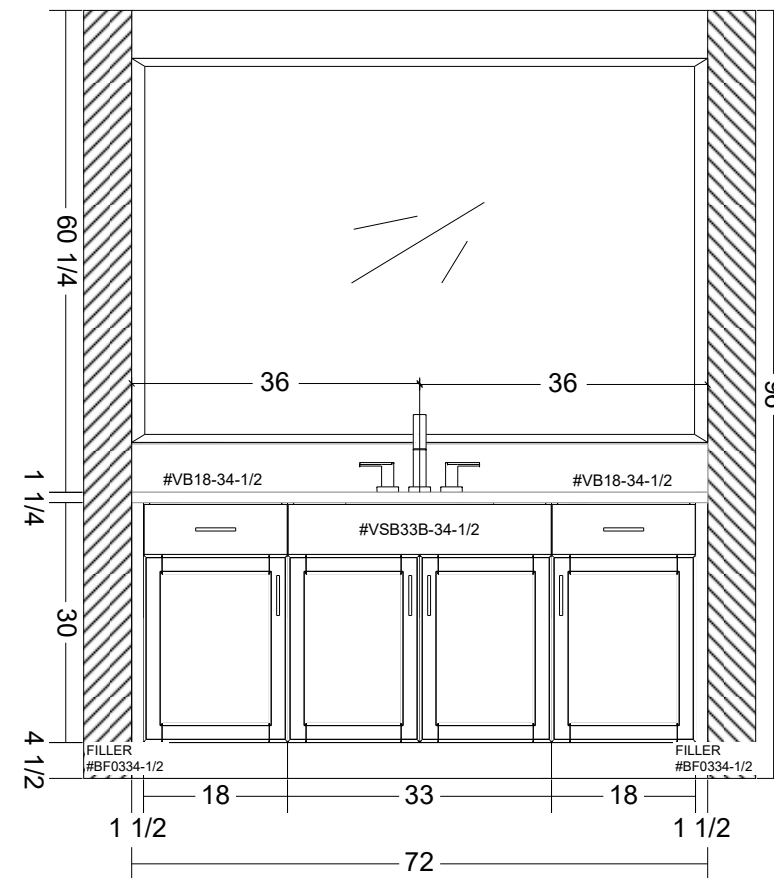
Address: **952 Skipping Stone Ct**  
**Timnath CO 80547**  
 Phone: **970-290-2439**  
 E-Mail: **tracy@tracysteam.com**

Scale: **1/2" = 1'**  
 Date: **7/12/2021**  
 Revision: **L. Means - #12**

Page: **10/17**



MAIN LEVEL GUEST BATH: SITELINE  
 CONSTRUCTION: FULL ACCESS  
 DOOR STYLE: WALTON W/ OPT B  
 MATERIAL: MAPLE/MDF  
 FINISH: "OPAL" PAINT  
 INTERIOR: NATURAL WOODGRAIN TFL  
 DRAWER BOX: STD WOOD & DOVETAIL  
 GUIDES: FULL EXTENSION, U/M & SOFT CLOSE  
 HINGES: CONCEALED & SOFT CLOSE



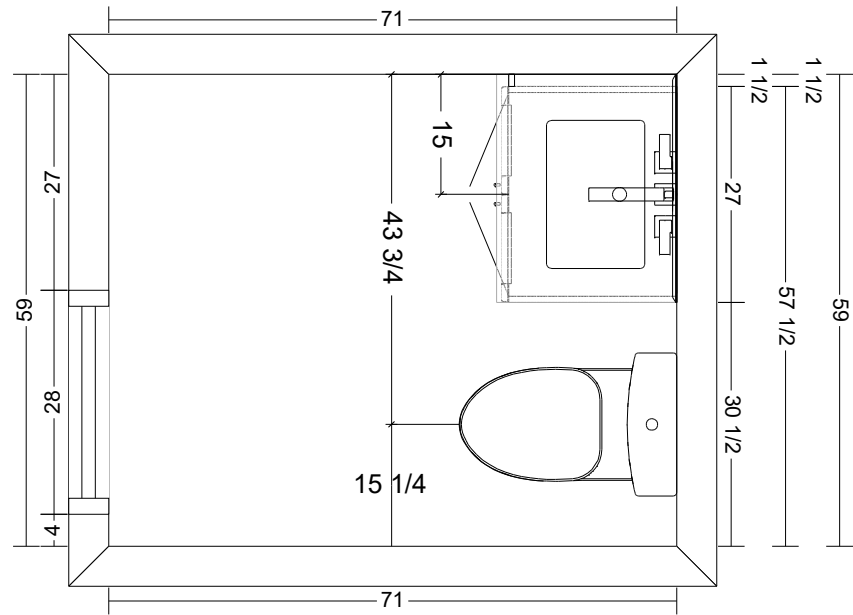
# SPRINGHAUS DESIGNS

APPROVED (SIGN & DATE):

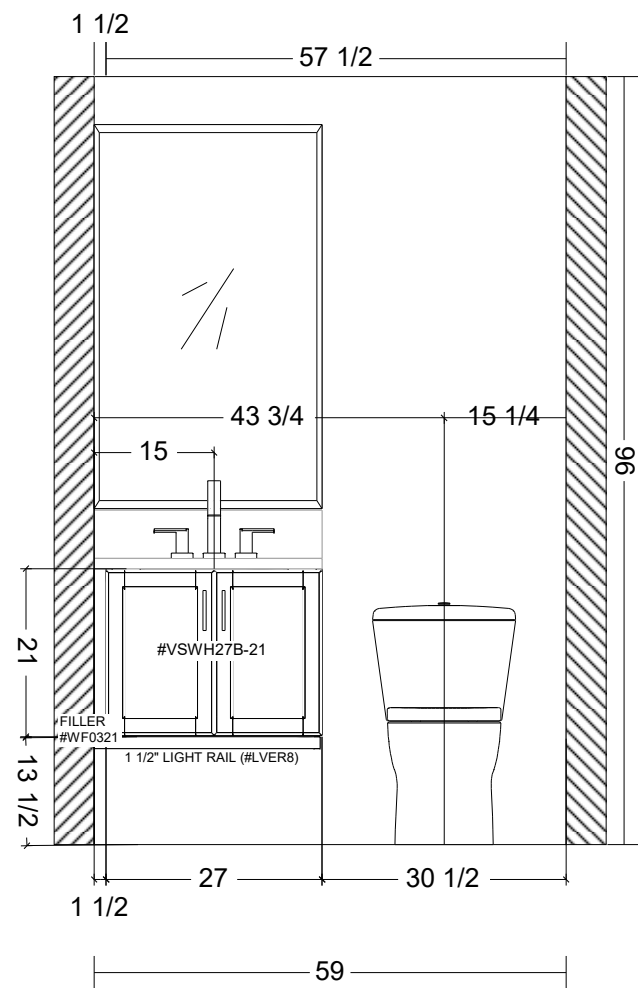
Job: **952 Skipping Stone Ct - Fricke**  
 Drawing Title: **Main Level Guest Bath**

Address: **952 Skipping Stone Ct**  
**Timnath CO 80547**  
 Phone: **970-290-2439**  
 E-Mail: **tracy@tracysteam.com**

Scale: **1/2" = 1'**  
 Date: **7/12/2021**  
 Revision: **L. Means - #12**



MAIN LEVEL POWDER BATH: SITELINE  
 CONSTRUCTION: FULL ACCESS  
 DOOR STYLE: WALTON W/ OPT B  
 MATERIAL: MAPLE  
 FINISH: "ECLIPSE" STAIN  
 INTERIOR: NATURAL WOODGRAIN TFL  
 DRAWER BOX: STD WOOD & DOVETAIL  
 GUIDES: FULL EXTENSION, U/M & SOFT CLOSE  
 HINGES: CONCEALED & SOFT CLOSE  
 LIGHT RAIL: 1 1/2"H (#LVER8)



**SPRINGHAUS DESIGNS**

APPROVED (SIGN & DATE):

Job:

**952 Skipping Stone Ct - Fricke**

Drawing Title:

**Main Level Powder Bath**

Address:

**952 Skipping Stone Ct**

**Timnath CO 80547**

Phone:

**970-290-2439**

E-Mail:

**tracy@tracysteam.com**

Scale:

**1/2" = 1'**

Date:

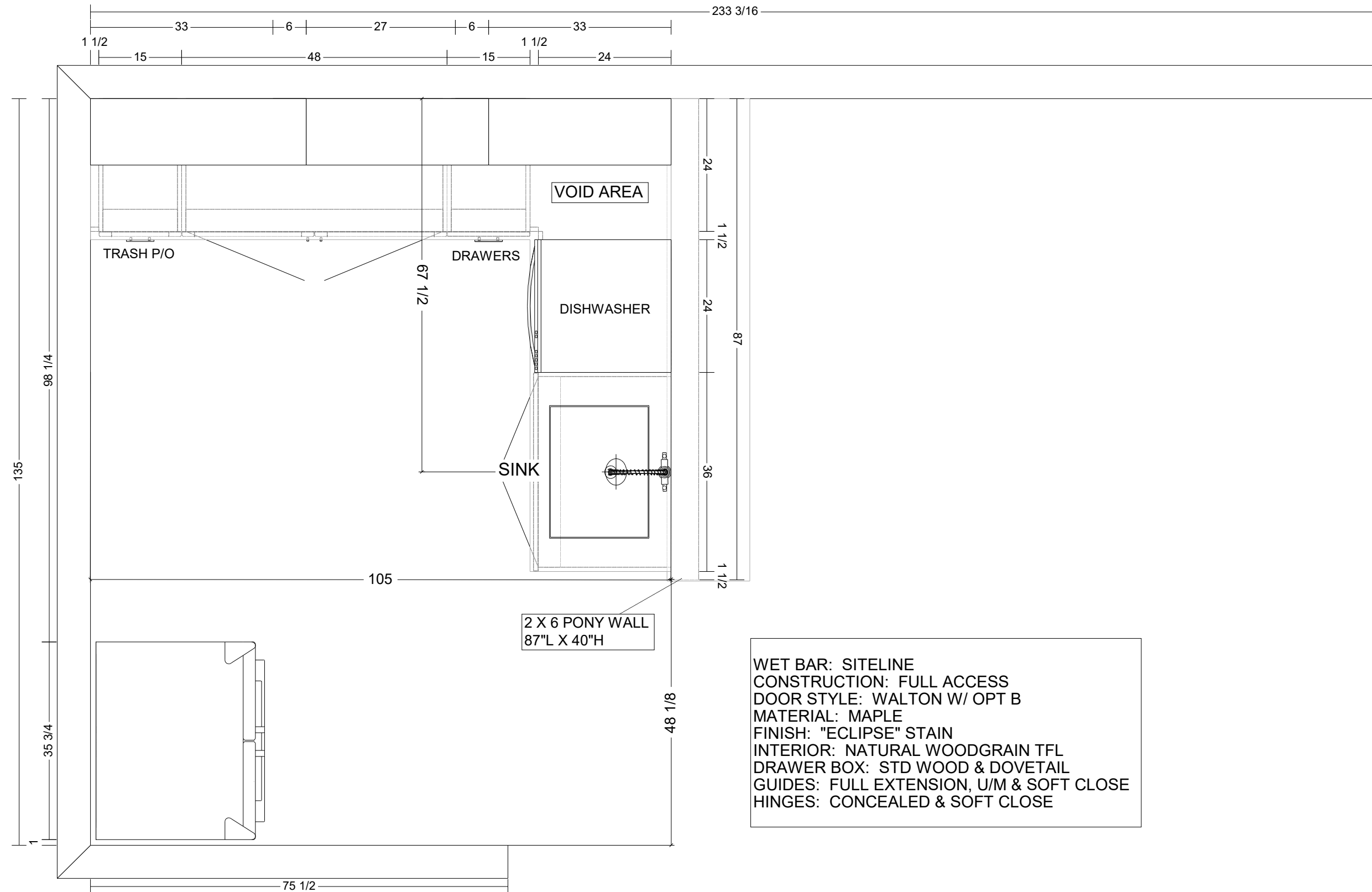
**7/12/2021**

Revision:

**L. Means - #12**

Page:

**12/17**



WET BAR: SITELINE  
 CONSTRUCTION: FULL ACCESS  
 DOOR STYLE: WALTON W/ OPT B  
 MATERIAL: MAPLE  
 FINISH: "ECLIPSE" STAIN  
 INTERIOR: NATURAL WOODGRAIN TFL  
 DRAWER BOX: STD WOOD & DOVETAIL  
 GUIDES: FULL EXTENSION, U/M & SOFT CLOSE  
 HINGES: CONCEALED & SOFT CLOSE

# SPRINGHAUS DESIGNS

APPROVED (SIGN & DATE):

Job:  
**952 Skipping Stone Ct - Fricke**

Drawing Title:  
**Wet Bar Floor Plan**

Address: **952 Skipping Stone Ct  
 Timnath CO 80547**

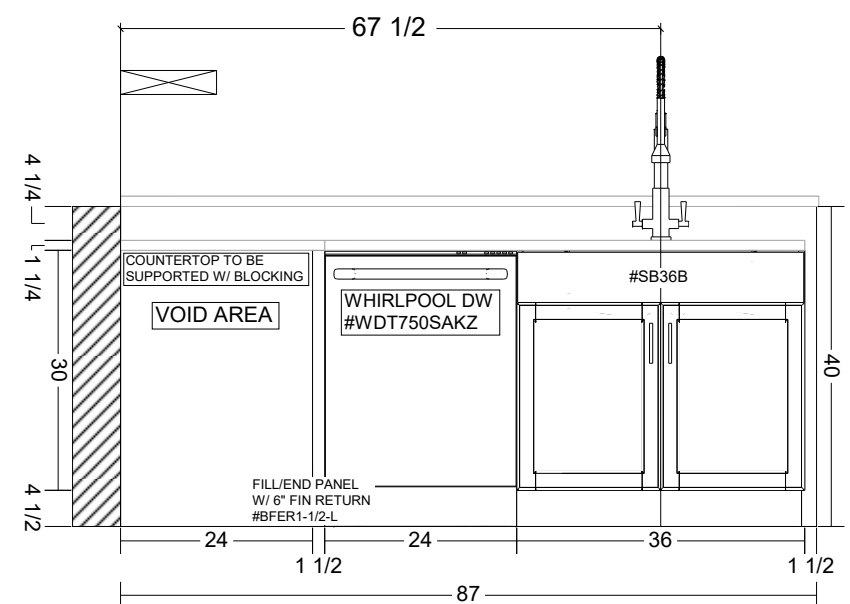
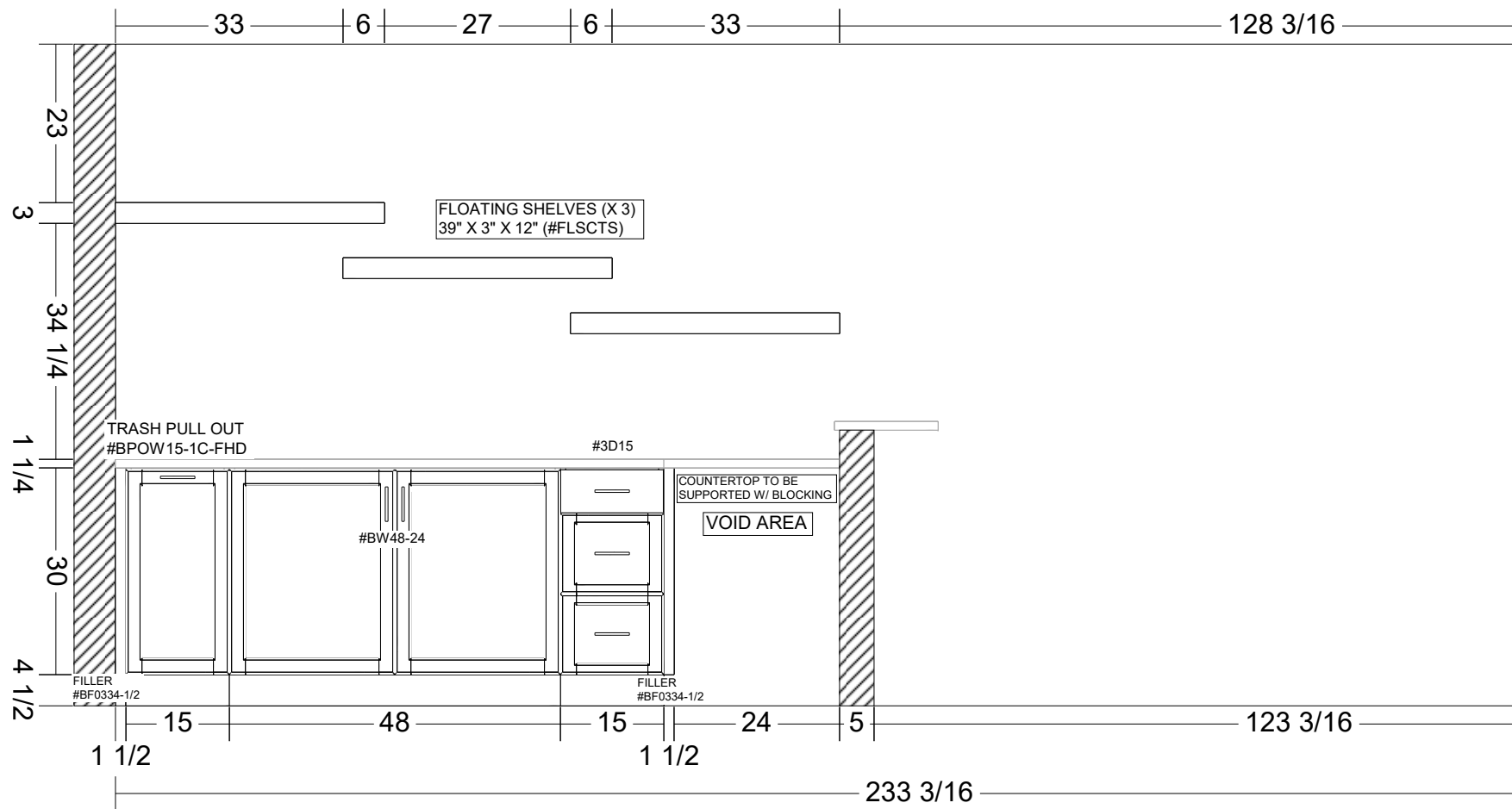
Phone: **970-290-2439**

E-Mail: **tracy@tracysteam.com**

Scale: **5/8" = 1'**

Date: **7/12/2021**

Revision: **L. Means - #12**



# SPRINGHAUS DESIGNS

APPROVED (SIGN & DATE):

Job:

**952 Skipping Stone Ct - Fricke**

Drawing Title:

**Wet Bar Elevation & Perspective**

Address:

**952 Skipping Stone Ct**

**Timnath CO 80547**

Phone:

**970-290-2439**

E-Mail:

**tracy@tracysteam.com**

Scale:

**1/2" = 1'**

Date:

**7/12/2021**

Revision:

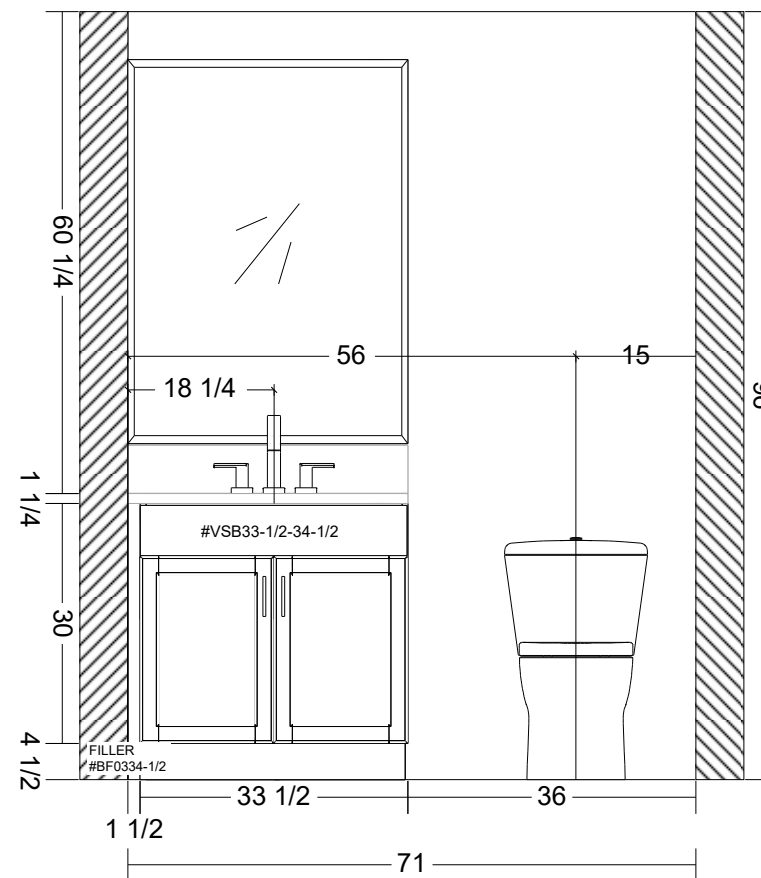
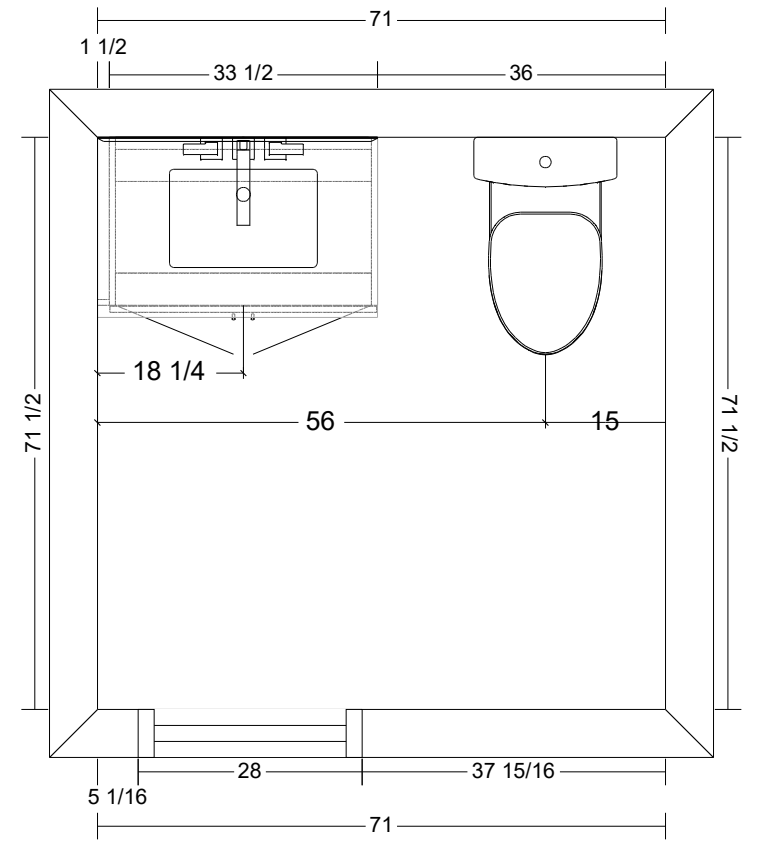
**L. Means - #12**

Page:

**14/17**



LL POWDER BATH: SITELINE  
 CONSTRUCTION: FULL ACCESS  
 DOOR STYLE: WALTON W/ OPT B  
 MATERIAL: MAPLE/MDF  
 FINISH: "NIMBUS" PAINT  
 INTERIOR: NATURAL WOODGRAIN TFL  
 DRAWER BOX: STD WOOD & DOVETAIL  
 GUIDES: FULL EXTENSION, U/M & SOFT CLOSE  
 HINGES: CONCEALED & SOFT CLOSE



# SPRINGHAUS DESIGNS

APPROVED (SIGN & DATE):

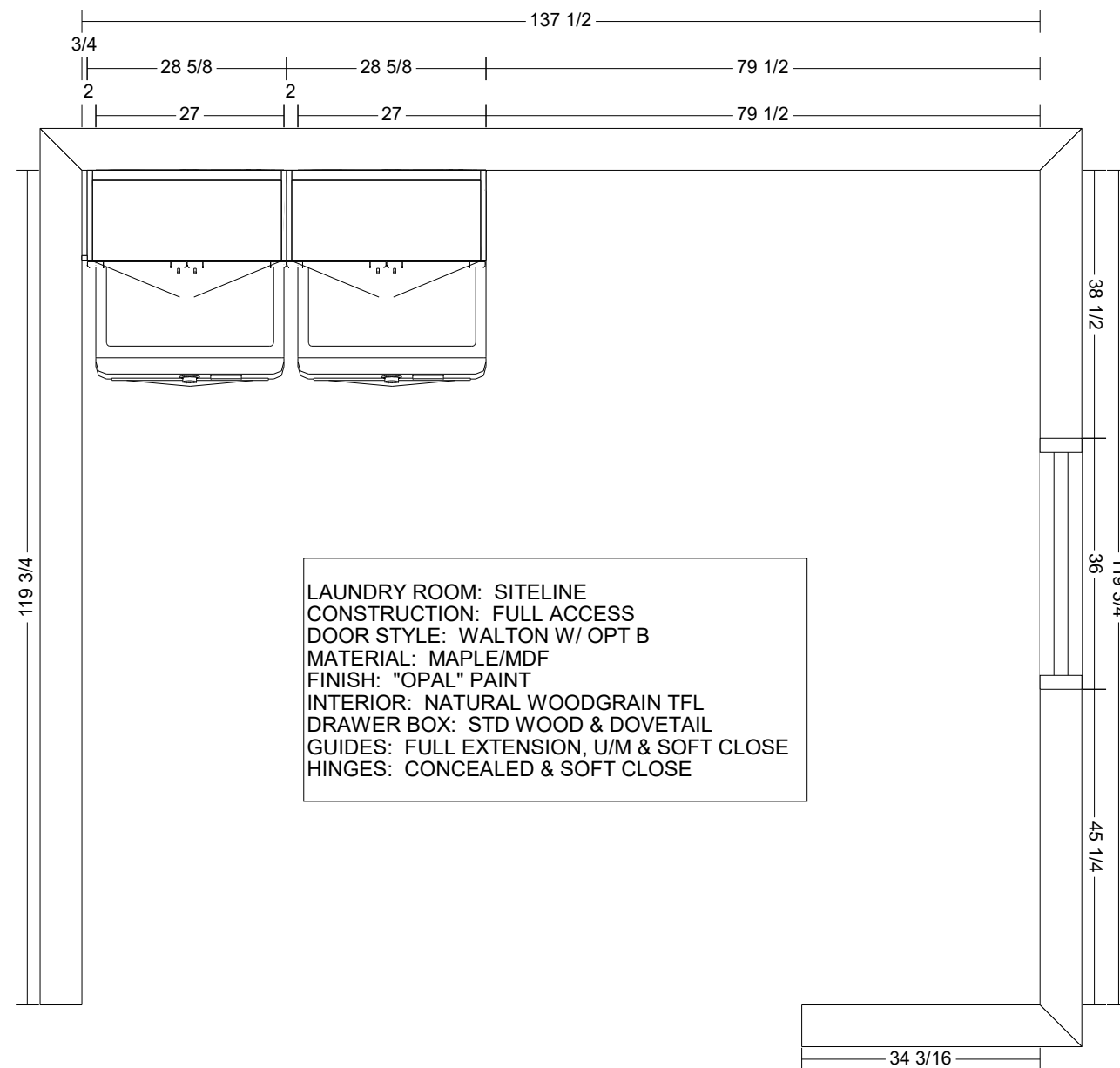
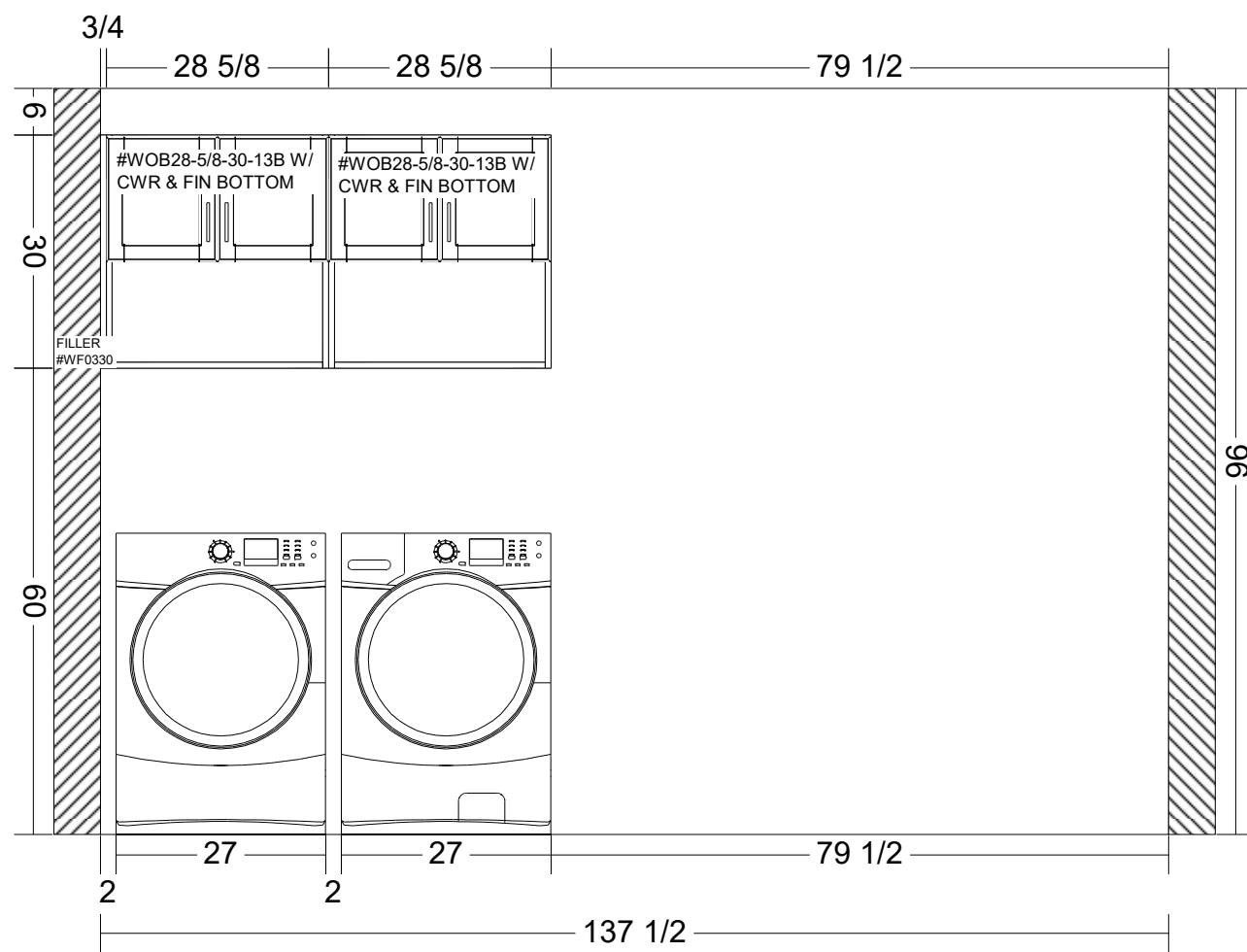
Job: **952 Skipping Stone Ct - Fricke**  
 Address: **952 Skipping Stone Ct**  
**Timnath CO 80547**

Drawing Title: **Lower Level Powder Bath**  
 Phone: **970-290-2439**  
 E-Mail: **tracy@tracysteam.com**

Address: **952 Skipping Stone Ct**  
**Timnath CO 80547**  
 Phone: **970-290-2439**  
 E-Mail: **tracy@tracysteam.com**

Scale: **1/2" = 1'**  
 Date: **7/12/2021**  
 Revision: **L. Means - #12**

Page: **15/17**



LAUNDRY ROOM: SITELINE  
 CONSTRUCTION: FULL ACCESS  
 DOOR STYLE: WALTON W/ OPT B  
 MATERIAL: MAPLE/MDF  
 FINISH: "OPAL" PAINT  
 INTERIOR: NATURAL WOODGRAIN TFL  
 DRAWER BOX: STD WOOD & DOVETAIL  
 GUIDES: FULL EXTENSION, U/M & SOFT CLOSE  
 HINGES: CONCEALED & SOFT CLOSE

# SPRINGHAUS DESIGNS

APPROVED (SIGN & DATE):

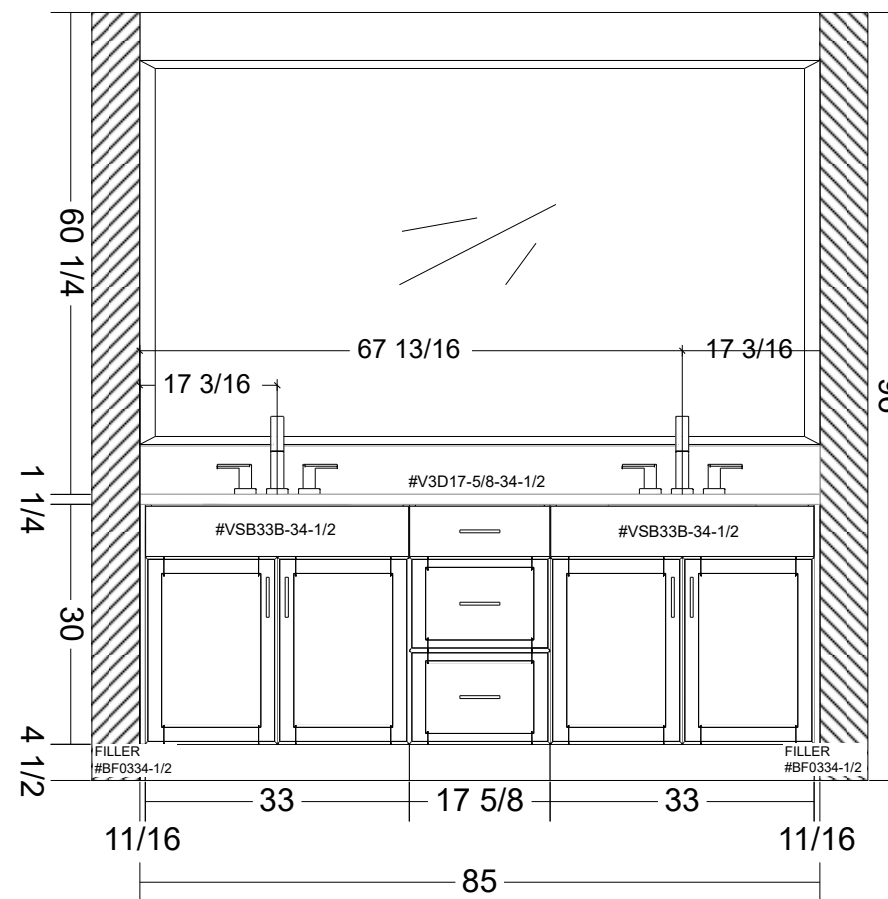
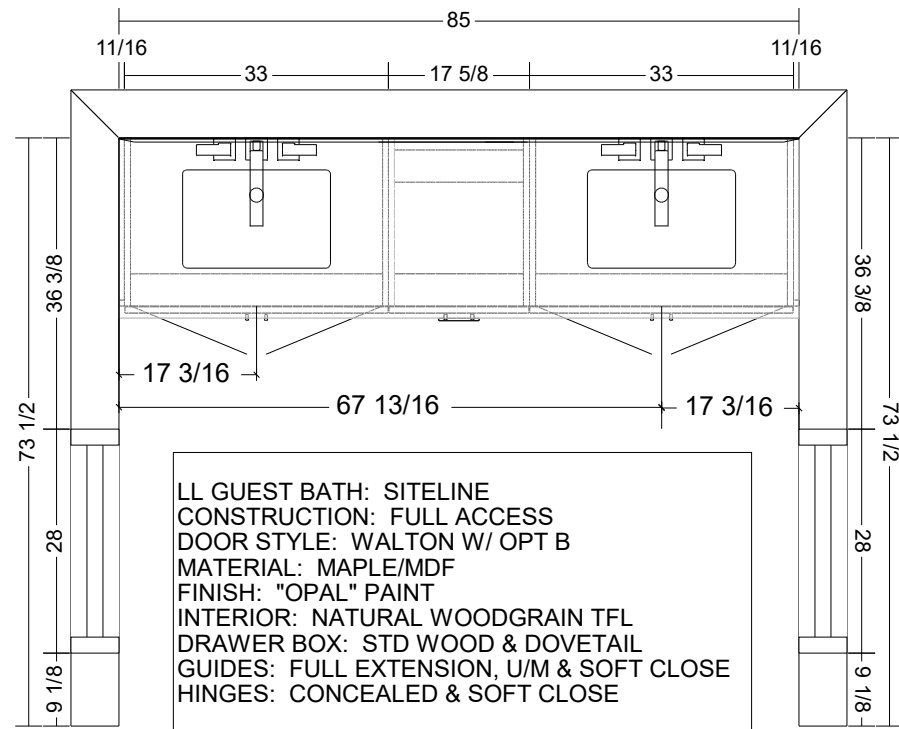
Job:  
**952 Skipping Stone Ct - Fricke**  
 Drawing Title:  
**Laundry Room**

Address:  
**952 Skipping Stone Ct**  
**Timnath CO 80547**  
 Phone:  
**970-290-2439**  
 E-Mail:  
**tracy@tracysteam.com**

Scale:  
**1/2" = 1'**  
 Date:  
**7/12/2021**  
 Revision:  
**L. Means - #12**

Page:  
**16/17**





# SPRINGHAUS DESIGNS

APPROVED (SIGN & DATE):

Job: **952 Skipping Stone Ct - Fricke**  
 Drawing Title: **Lower Level Guest Bath**

Address: **952 Skipping Stone Ct**  
**Timnath CO 80547**  
 Phone: **970-290-2439**  
 E-Mail: **tracy@tracysteam.com**

Scale: **1/2" = 1'**  
 Date: **7/12/2021**  
 Revision: **L. Means - #12**